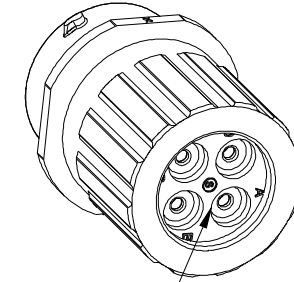
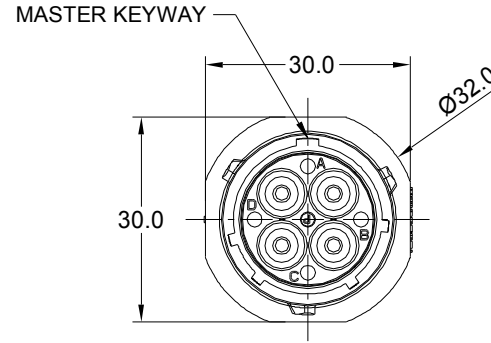
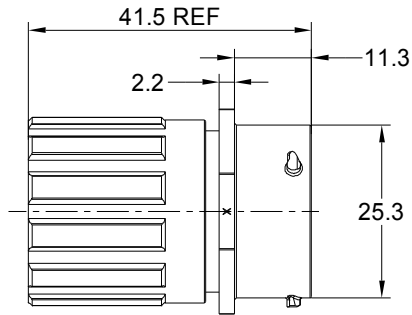


REVISIONS					
REV	ECO	DESCRIPTION	DATE	BY	APPR
A1	-	RELEASED DRAWING	Mar-24-21	Blink	Tommy
A2	-	UPDATE VOLTAGE	SEP-23-2021	BLINK	TOMMY



SEALING PLUGS CAN BE PURCHASED SEPARATELY

NOTES : (UNLESS OTHERWISE SPECIFIED)

- MATERIAL :
  - SHELL : THERMOPLASTIC , UL94 V-0.
  - INSERT : THERMOPLASTIC , UL94 V-0.
  - O-RING : NBR OR SILICONE RUBBER.
  - SEAL GASKET : NBR OR SILICONE RUBBER.
  - END CAP : THERMOPLASTIC , UL94 V-0.
  - PLASTIC RING:THERMOPLASTIC , UL94 V-0.
  - WIRE SEAL : SILICONE RUBBER.
- SPECIFICATIONS :
  - 2.1 RATED CURRENT : 45A (MAX).
  - 2.2 RATED VOLTAGE : 600V ( AC/DC ).
  - 2.3 OPERATING TEMPERATURE : SEE CHART.
  - 2.4 DIELECTRIC WITHSTANDING VOLTAGE : LESS THAN 2 MILLIAMPS CURRENT LEAKAGE@2000 VOLTS AC.
  - 2.5 INSULATION RESISTANCE : 5000 MEGOHMS MIN.
  - 2.6 IP--CLASS : IP67 AND IP69K IN THE MATED CONDITION, WIRE SEALS FULLY POPULATED.
  - 2.7 MATING CYCLES DURABILITY : 500 CYCLES MIN.
  - 2.8 RoHS COMPLIANT.
- SUITABLE CONTACTS : 8# CONTACTS.
- ALL DIMENSIONS ARE FOR REFERENCE USE ONLY.
- CONTACT SIZE AND REAR SEAL WIRE RANGE :

CONTACT SIZE	MIN. INSULATION O.D.	MAX. INSULATION O.D.	SMALL WIRE RANGE
8#	Ø2.8mm	Ø4.1mm	12AWG

KEY	PART NUMBER	
		-40°C ~ 105°C
N	RTS1BS16N4PHEC	RTS1BS16N4PHEC03

QUANTITY	PART NUMBER	DESCRIPTION	ITEM
<b>MATERIALS LIST</b>			
<b>UNLESS OTHERWISE SPECIFIED</b> 1) All dimensions are in metric(mm). 2) Tolerances are as follows: 1 PL DEC ±0.30 Fractions ±1/64 2 PL DEC ±0.15 Angles ±1° 3) Note reference =		<b>SIGNATURES</b> <b>DATE</b> DRAWN: BLINK    SEP-23-2021 CHECKED: ORION    SEP-24-2021 ENGINEER: APPROVAL: TOMMY    SEP-27-2021 CUSTOMER:	 Sine Systems - www.amphenol-sine.com 44724 Morley Drive Clinton Township, MI 48036
MATERIAL SPECIFICATIONS:		EcoMate Aquarius, RECEPTACLE,IN-LINE, SIZE 16, 4 POS, PIN,END CAP.	
PROCESS SPECIFICATIONS:		THIS DRAWING IS SUPPLIED FOR INFORMATION ONLY. DESIGN FEATURES, SPECIFICATIONS AND PERFORMANCE DATA SHOWN HEREON ARE THE PROPERTY OF THE AMPHENOL CORPORATION. NO RIGHTS OF REPRODUCTION ARE IMPLIED. ALL DIMENSIONS ARE SUBJECT TO NORMAL MANUFACTURING VARIATIONS.	
NEXT ASSY:	SIZE	TYPE	DWG NO.    REVISION
	B	C-	RTS1BS16*4PHECxx    A2
	SCALE	NONE	SHEET 1 OF 1

TITLE: EcoMate Aquarius, RECEPTACLE,IN-LINE, SIZE 16, 4 POS, PIN,END CAP.  
 DWG NO.: RTS1BS16\*4PHECxx  
 REV: A2  
 SH: 1  
 OF: 1

## ecomate® RM/RSSM/Aquarius™ - Contact Size 3.6mm (1604 Insert Arrangement) Options

Crimp Contacts, 1604 Insert Arrangement, Machined					
Part Number		AWG	Wire Range (mm <sup>2</sup> )	For Use w Endcap	Plating
Male	Female				
MP10A23T	MS10A23T	12-10	3.0 - 6.0	Yes	Tin
MP10A23S	MS10A23S	12-10	3.0 - 6.0	Yes	Silver
MP10A23F	MS10A23F	12-10	3.0 - 6.0	Yes	Gold Flash
MP10A23G5	MS10A23G5	12-10	3.0 - 6.0	Yes	Gold 5μ"
MP10S23G10	MS10A23G10	12-10	3.0 - 6.0	Yes	Gold 10μ"
MP10A23G15	MS10A23G15	12-10	3.0 - 6.0	Yes	Gold 15μ"
MS10A23G30	MS10A23G30	12-10	3.0 - 6.0	Yes	Gold 30μ"

Tooling, Machined	
Part Number	Description
QXRT08	Contact Extraction Tool, # 8 (Ø 3.6mm) Contact
M300BT	Hand Crimper
WA27-300BT-EP	Pneumatic Crimper
TP968	Locator M3200BT and WA27-300BT-EP

Plating Options	
Symbol	Plating
T	Tin Plating Over Nickel
S	Silver Plating Over Nickel
F	Gold Plated
G5	Gold Plated (Thickness 5μ")
G10	Gold Plated (Thickness 10μ")
G15	Gold Plated (Thickness 15μ")
G30	Gold Plated (Thickness 30μ")