

SHELL	PART NUMBER	DESIGNATIONS
09	D09S13A*G*00**	RECEPTACLE 9 CTS RIGHT ANGLED-SOLDER TO BOARD-PCB HARPOON-SCREWLOCK -ELEC.CONTIN.
15	D15S13A*G*00**	RECEPTACLE 15 CTS RIGHT ANGLED-SOLDER TO BOARD-PCB HARPOON-SCREWLOCK -ELEC.CONTIN.
25	D25S13A*G*00**	RECEPTACLE 25 CTS RIGHT ANGLED-SOLDER TO BOARD-PCB HARPOON-SCREWLOCK -ELEC.CONTIN.
37	D37S13A*G*00**	RECEPTACLE 37 CTS RIGHT ANGLED-SOLDER TO BOARD-PCB HARPOON-SCREWLOCK -ELEC.CONTIN.

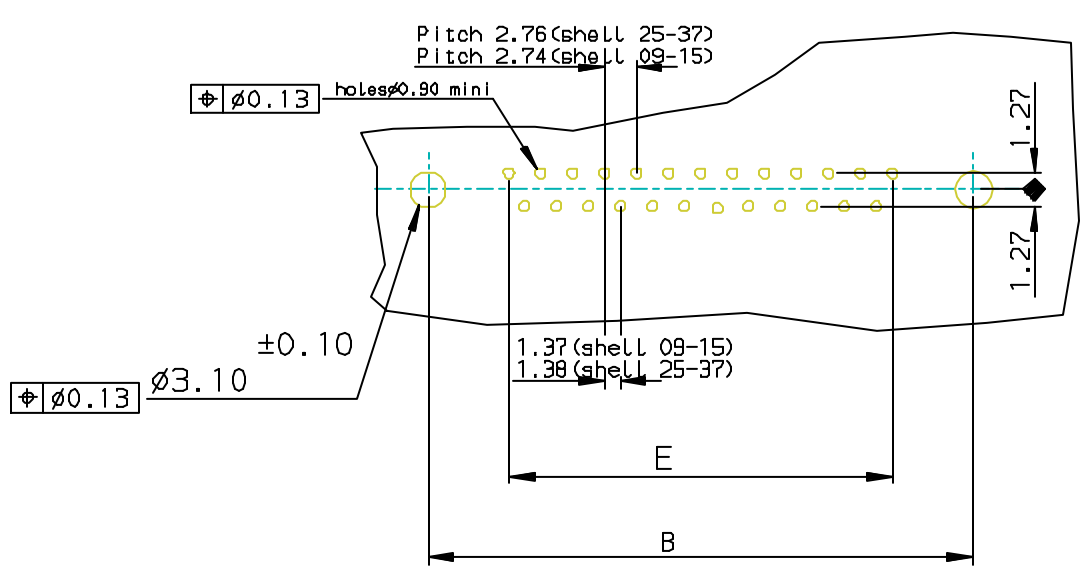
Part Number & Date Code Printing

4 = Performance level PL3 ≥ 200 OPERATIONS
 6 = Performance level PL1 ≥ 500 OPERATIONS
 I =SCREWLOCK Threaded M3
 V =SCREWLOCK Threaded UNC 4.40 sellers

PC card drilling dimensions(after plating)
 (thickness 1.60±0.20mm)

SHELL	A± 0.38	B± 0.12	C± 0.10	D± 0.25	E± 0.07
09	30.81	24.99	16.96	16.21	10.96
15	39.14	33.32	25.18	24.54	19.18
25	53.03	47.04	39.12	38.25	33.12
37	69.32	63.50	55.68	54.71	49.68

GENERAL CHARACTERISTICS : SEE DRAWING C01-8646-0000



rev	ech no	dr	date
B	105-0124	JS	2005/07/27
C	106-0074	SK	2006/06/08
-	-	-	-
-	-	-	-
-	-	-	-
-	-	-	-

www.fciconnect.com		surface ISO 1302 ✓	tolerance std ISO 406 ISO 1101	projection mm
TOLERANCES UNLESS OTHERWISE SPECIFIED				
Dr	JOHN SLEEBA	1994/08/01	ANGULAR	0.X ±0.1
Eng	GEORGE VJ	1994/08/01	LINEAR	0.XX ±0.1
Chr	GEORGE VJ	2005/07/27	0.XX* ±1*	0.XXX ±0.1
Appr	KVSD	2005/07/27	Product family	D-SUB Spec ref -
FCI			title RECEPTACLE DELTA D WITH SCREWLOCK, HARPOON, METAL PLATE.	Rev. C
catalog no DELTA-D			dwg no C01-8646-0817	sheet 1 of 1

Copyright FCI.