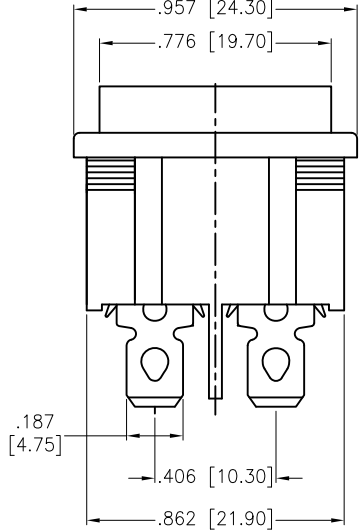
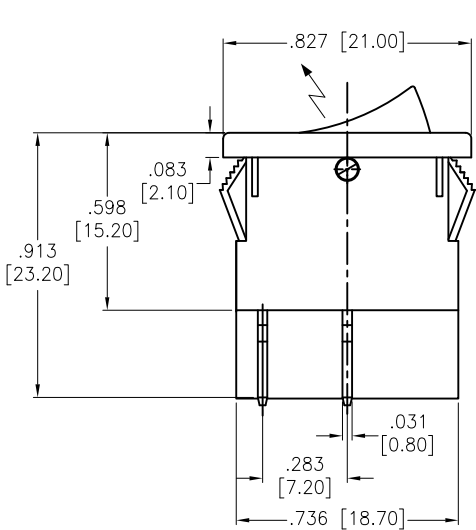
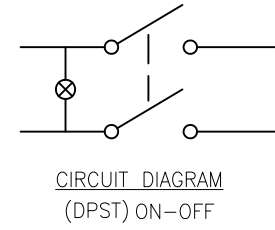
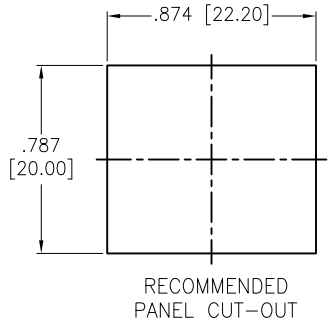
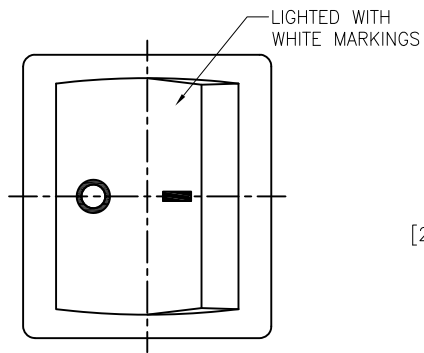


APPROVED: _____
 DATE: _____ TITLE: _____

Rev	AWO #	Description	Date	Appr
-		RELEASED	11/18/21	



SW-R2-3A-F-LXXX-6

	Lighted Actuator
W	Lighted White
R	Lighted Red
G	Lighted Green
Y	Lighted Yellow (Amber)
B	Lighted Blue
O	Lighted Orange

	Actuator Markings
1	
2	
3	
4	
5	

	LED Voltage
1	3V
2	6V
3	12V
4	24V
5	48V
6	110V
7	220V

SPECIFICATIONS:
 Material:
 Body: Nylon 66, Color Black, Rated UL 94V-0
 Terminal: Brass, Silver plated
 Button: Nylon 66, Lighted color (See Chart). White color markings
 Electrical:
 The rated load: 250V AC, 6A
 125V AC, 10A
 Contact resistance: 50 mohms max
 Insulation resistance: 100 Mohms min
 Dielectric withstanding voltage: 1500 VAC/5S min
 Mechanical:
 Electrical life: 10000 Cycles min
 Temperature Rating:
 Operating temperature: -25°C to +85°C
 Environmental:
 Lead free, RoHS compliant



Replace "x" in P/N with the corresponding switch color and marking

UNLESS OTHERWISE SPECIFIED ALL DIMENSIONS ARE INCHES [MM]. TOLERANCES: EXCEPT AS NOTED		
INCHES		
.x	± .10	HOLES
.xx	± .020	∅.xx
.xxx	± .015	∅.xxx
DRAWN	JJ	11/18/21
CHECKED	RC	11/18/21
APPROVED		
THIS DRAWING CONTAINS INFORMATION THAT IS PROPRIETARY AND SHOULD NOT BE USED WITHOUT PRIOR WRITTEN PERMISSION FROM ADAM TECH		

ADAM TECH 909 Rahway Avenue,
 Union, NJ 07083
 Phone: 908-687-5000
 Fax: 908-687-5710

TITLE: SWITCH, MINIATURE ROCKER
 DPST, ON-OFF, QC .187 [4.75MM], LIGHTED

SIZE X	PART NO. SW-R2-3A-F-LXXX-6	REV. -
REF: S00206C	SCALE: NTS	SHEET 1 OF 1

6 5 4 3 2 1

6 5 4 3 2 1

D

D

C

C

B

B

A

A