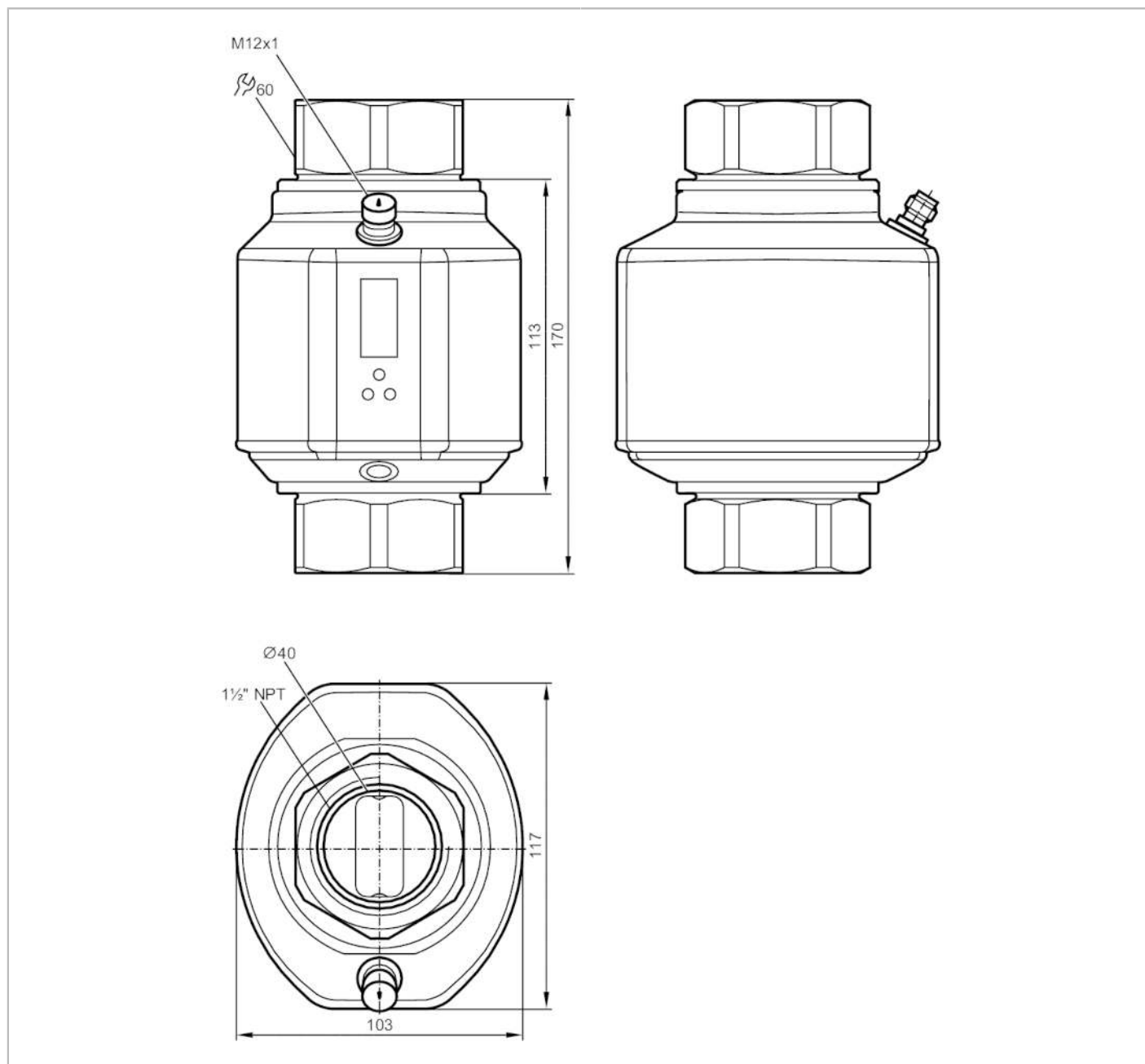


# SM9604



## Magnetic-inductive flow meter

SMN32XGX50KG/US-100



Product characteristics				
Number of inputs and outputs	Number of analogue outputs: 2			
Measuring range	5...300 l/min	0.3...18 m <sup>3</sup> /h	80...4755 gph	1.3...79.3 gpm
Process connection	threaded connection 1 1/2" NPT DN40			
Application				
Special feature	Gold-plated contacts			
Application	empty pipe detection; for industrial applications			
Media	conductive liquids; water; hydrous media			
Note on media	conductivity: ≥ 20 μS/cm			
	viscosity: < 70 mm <sup>2</sup> /s (40 °C)			

# SM9604



## Magnetic-inductive flow meter

SMN32XGX50KG/US-100

Medium temperature		-10...90 °C	14...194 °F
Pressure rating	[bar]		16
Pressure rating	[Mpa]		1.6
Pressure rating	[psi]		232
MAWP (for applications according to CRN)	[bar]		16

### Electrical data

Operating voltage	[V]	18...32 DC; (to SELV/PELV)	
Current consumption	[mA]	< 150	
Protection class		III	
Reverse polarity protection		yes	
Power-on delay time	[s]	5	

### Inputs / outputs

Number of inputs and outputs	Number of analogue outputs: 2		
------------------------------	-------------------------------	--	--

### Outputs

Total number of outputs	2		
Output signal	analogue signal		
Number of analogue outputs	2		
Analogue current output	[mA]	4...20; ( $\leq$ 22 mA)	
Max. load	[ $\Omega$ ]	500	

### Measuring/setting range

Measuring range	5...300 l/min	0.3...18 m <sup>3</sup> /h	80...4755 gph	1.3...79.3 gpm
Display range	-360...360 l/min	-21.6...21.6 m <sup>3</sup> /h	-5705...5705 gph	-95.1...95.1 gpm
Resolution	0.5 l/min	0.02 m <sup>3</sup> /h	5 gph	0.1 gpm
Analogue start point ASP	0...240 l/min	0...14.4 m <sup>3</sup> /h	0...3800 gph	0...63.4 gpm
Analogue end point AEP	60...300 l/min	3.6...18 m <sup>3</sup> /h	955...4755 gph	15.9...79.3 gpm
Low flow cut-off LFC	< 15 l/min	< 0.9 m <sup>3</sup> /h	< 240 gph	< 4 gpm
In steps of	0.5 l/min	0.02 m <sup>3</sup> /h	5 gph	0.1 gpm
Measuring dynamics	1:60			

### Temperature monitoring

Measuring range	-20...80 °C	-4...176 °F
Display range	-40...100 °C	-40...212 °F
Resolution	0.2 °C	0.5 °F
Analogue start point	-20...60 °C	-4...140 °F
Analogue end point	0...80 °C	32...176 °F
In steps of	0.2 °C	0.5 °F

### Accuracy / deviations

Flow monitoring	
Accuracy (in the measuring range)	$\pm$ (0,8 % MW + 0,5 % MEW)
Repeatability	$\pm$ 0,2% MEW
Temperature monitoring	
Temperature drift	$\pm$ 0,0333 °C / K; $\pm$ 0,0599 °F / K
Accuracy	[K] $\pm$ 1 (25 °C; Q > 15 l/min) / $\pm$ 1 (77 °F; Q > 4 gpm)

# SM9604



## Magnetic-inductive flow meter

SMN32XGX50KG/US-100

Response times		
Flow monitoring		
Response time	[s]	0.35; (dAP = 0)
Damping process value dAP	[s]	0...5
Temperature monitoring		
Dynamic response T05 / T09	[s]	T09 = 3 (Q > 15 l/min) / T09 = 3 (Q > 4 gpm)
Software / programming		
Parameter setting options	display can be deactivated; Display unit; empty pipe detection	
Operating conditions		
Ambient temperature	-10...60 °C	14...140 °F
Storage temperature	-25...80 °C	-13...176 °F
Protection	IP 65; IP 67	
Tests / approvals		
EMC	DIN EN 60947-5-9	
	DIN EN 61000-6-2	
CPA approval	model number	003MI
	accuracy class	-
	maximum allowable error	± 1,5 % FS
	Q (min)	0,3 m³/h
	Q (t)	-
	Q (max)	18 m³/h
	Medium temperature	-10...70 °C
	Medium temperature	14...158 °F
Shock resistance	DIN EN 60068-2-27	20 g (11 ms)
Vibration resistance	DIN EN 60068-2-6	5 g (10...2000 Hz)
MTTF	[years]	85
Pressure Equipment Directive	Sound engineering practice; can be used for group 2 fluids; group 1 fluids on request	
Mechanical data		
Weight	[g]	2745
Materials	stainless steel (1.4404 / 316L); stainless steel (1.4571/316Ti); PEI; FKM; PBT-GF20; TPE-U	
Materials (wetted parts)	stainless steel (1.4404 / 316L); stainless steel (1.4571/316Ti); PEEK; FKM	
Process connection	threaded connection 1 1/2" NPT DN40	
Displays / operating elements		
Display	Display unit	6 x LED, green (l/min, m³/h, gpm, gph, °C, °F)
	function display	1 x LED, yellow (10³)
	measured values	alphanumeric display, 4-digit
	programming	alphanumeric display, 4-digit
Display unit	l/min; m³/h; gpm; gph; °C; °F	
Accessories		
Items supplied	Label	
Remarks		
Remarks	MW = measured value MEW = Final value of the measuring range	
Pack quantity	1 pcs.	

# SM9604

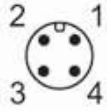


## Magnetic-inductive flow meter

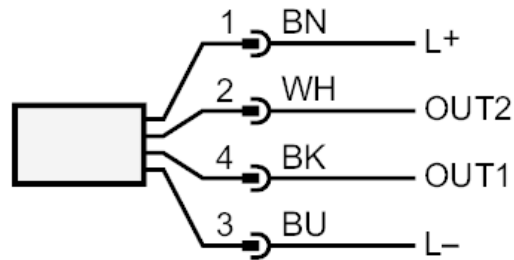
SMN32XGX50KG/US-100

### Electrical connection

Connector: 1 x M12; coding: A; Contacts: gold-plated



### Connection



OUT1: analogue output Temperature monitoring  
OUT2: analogue output volumetric flow quantity monitoring  
Core colours :  
BK = black  
BN = brown  
BU = blue  
WH = white

# SM9604



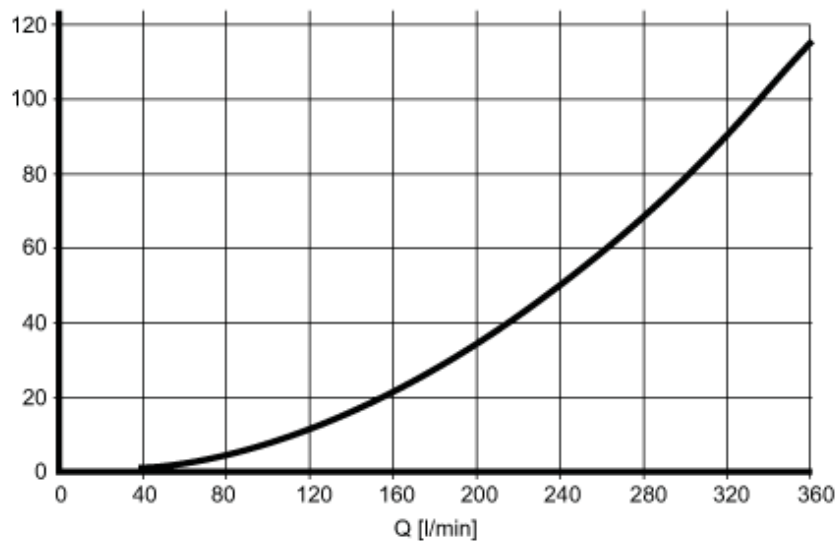
## Magnetic-inductive flow meter

SMN32XGX50KG/US-100

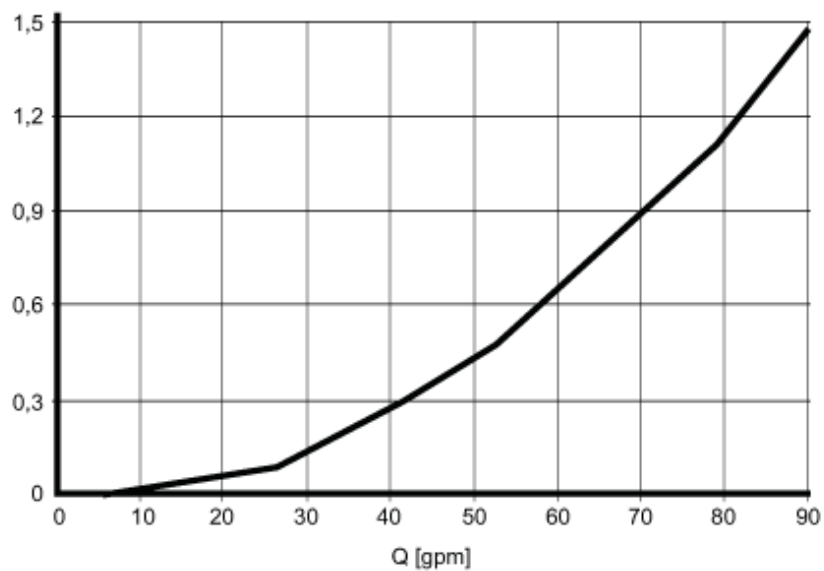
### Diagrams and graphs

#### Pressure loss

dP [mbar] DN50



dP [psi]



dP Pressure loss

Q volumetric flow quantity