



9600 SERIES

Spring Return Linear Position Sensor



Introduction

The 9600 Series Linear Position Sensor, is designed for a variety of space-limited feedback applications that require high accuracy. It is ideally suited for Industrial, vehicular, appliance, machine tool and robotic applications due to the unit's high temperature stability. The solderable terminal tabs, suitable for use with .110" (2.8mm) PDQ styled crimped wiring lugs, and durable spring-loaded plunger, make installation and operation easy.

The 9600 Series is available in three standard sizes and provides excellent life at 1,000,000 full cycles (5 million dither cycles), which means high reliability in demanding installations.



SPECIFICATIONS

Mechanical

	9605	9610	9615
Power Rating at 70°C, Watts	0.25	0.50	0.75
Mechanical Travel $\pm .015$ (± 0.4) (B) inches (mm)	0.56 (14.2)	1.06 (26.9)	1.56 (39.6)
Housing Length $\pm .015$ (± 0.4) (C) inches (mm)	1.06 (26.9)	1.56 (39.6)	2.06 (52.3)
Terminal Spacing (D) inches (mm)	0.30 (7.6)	0.50 (12.7)	0.80 (20.3)
(E) inches (mm)	0.20 (5.1)	0.50 (12.7)	0.70 (17.8)
Fully Extended Length $\pm .015$ (± 0.4) (F) inches (mm)	0.810 (20.6)	1.310 (33.3)	1.810 (46.0)

Electrical

	9605	9610	9615
Part Number	9605R1.7KL2.0	9610R3.4KL2.0	9615R5.1KL2.0
Total Electrical Travel (A) inches(mm)	0.50 (12.7)	1.00 (25.4)	1.50 (38.1)
Total DC Resistance $\pm 25\%$	1.7K	3.4K	5.1K
Linearity Over Active Electrical Travel	$\pm 2\%$		
Best Practical Linearity (Option)	$\pm 1.0\%$	$\pm 0.5\%$	$\pm 0.35\%$

Environmental

Mechanical Life	1,000,000 Full Cycles; 5,000,000 Dither Cycles
Stop Strength oz. (Newtons)	360 (100)
Actuation Force oz. (Newtons)	14.4 (4.0) Maximum, supplied with internal spring to return actuator to extended position
Humidity	95% @ 38°C
Vibration	15g's 50 to 1,000Hz, 2 hrs, each axis
Shock	Up to 50g's
Temperature Limits	-40°C to +135°C

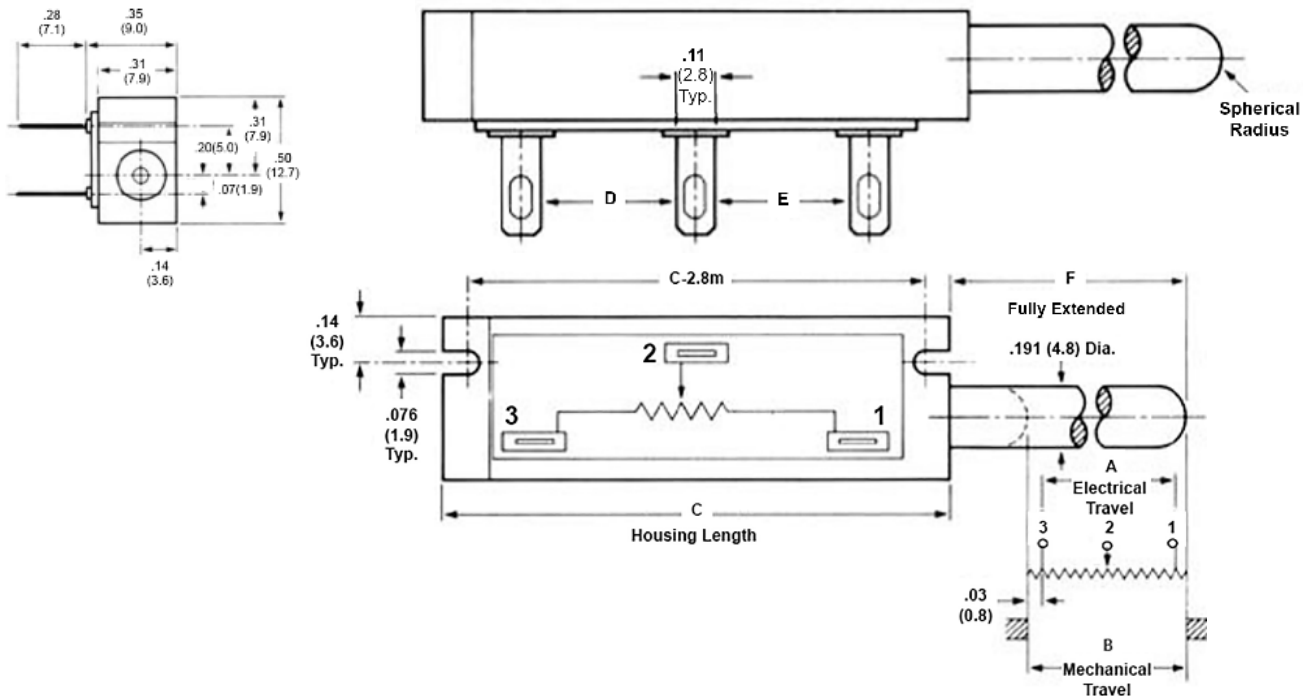
NOTES & TABLES: All notes and tables referred to in the text can be found in this document.



DIMENSIONS

TOLERANCES: .XX = ±0.01, .XXX = ± 0.005

All dimensions are in inches [millimeters]



ORDERING OPTIONS

Order the 9600 series linear potentiometers by the part number as show in the Electrical Specifications table on the first page

Page 2

Sensata Technologies, Inc. ("Sensata") data sheets are solely intended to assist designers ("Buyers") who are developing systems that incorporate Sensata products (also referred to herein as "components"). Buyer understands and agrees that Buyer remains responsible for using its independent analysis, evaluation and judgment in designing Buyer's systems and products. Sensata data sheets have been created using standard laboratory conditions and engineering practices. Sensata has not conducted any testing other than that specifically described in the published documentation for a particular data sheet. Sensata may make corrections, enhancements, improvements and other changes to its data sheets or components without notice.

Buyers are authorized to use Sensata data sheets with the Sensata component(s) identified in each particular data sheet. HOWEVER, NO OTHER LICENSE, EXPRESS OR IMPLIED, BY ESTOPPEL OR OTHERWISE TO ANY OTHER SENSATA INTELLECTUAL PROPERTY RIGHT, AND NO LICENSE TO ANY THIRD PARTY TECHNOLOGY OR INTELLECTUAL PROPERTY RIGHT, IS GRANTED HEREIN. SENSATA DATA SHEETS ARE PROVIDED "AS IS". SENSATA MAKES NO WARRANTIES OR REPRESENTATIONS WITH REGARD TO THE DATA SHEETS OR USE OF THE DATA SHEETS, EXPRESS, IMPLIED OR STATUTORY, INCLUDING ACCURACY OR COMPLETENESS. SENSATA DISCLAIMS ANY WARRANTY OF TITLE AND ANY IMPLIED WARRANTIES OF MERCHANTABILITY, FITNESS FOR A PARTICULAR PURPOSE, QUIET ENJOYMENT, QUIET POSSESSION, AND NON-INFRINGEMENT OF ANY THIRD PARTY INTELLECTUAL PROPERTY RIGHTS WITH REGARD TO SENSATA DATA SHEETS OR USE THEREOF.

All products are sold subject to Sensata's terms and conditions of sale supplied at www.sensata.com SENSATA ASSUMES NO LIABILITY FOR APPLICATIONS ASSISTANCE OR THE DESIGN OF BUYERS' PRODUCTS. BUYER ACKNOWLEDGES AND AGREES THAT IT IS SOLELY RESPONSIBLE FOR COMPLIANCE WITH ALL LEGAL, REGULATORY AND SAFETY-RELATED REQUIREMENTS CONCERNING ITS PRODUCTS, AND ANY USE OF SENSATA COMPONENTS IN ITS APPLICATIONS, NOTWITHSTANDING ANY APPLICATIONS-RELATED INFORMATION OR SUPPORT THAT MAY BE PROVIDED BY SENSATA.

Mailing Address: Sensata Technologies, Inc., 529 Pleasant Street, Attleboro, MA 02703, USA.

CONTACT US

Americas

+1 (800) 350 2727
sensors@sensata.com

Europe, Middle East & Africa

+33 (3) 88 20 8080
position-info.eu@sensata.com

Asia Pacific

sales.isasia@list.sensata.com
China +86 (21) 2306 1500
Japan +81 (45) 277 7117
Korea +82 (31) 601 2004
India +91 (80) 67920890
Rest of Asia +886 (2) 27602006
ext 2808