

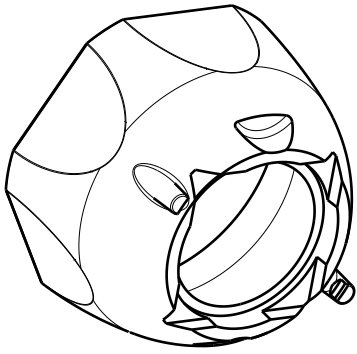
D

C

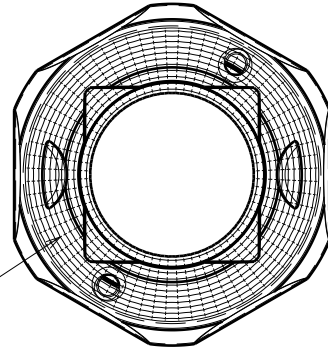
B

A

Assy view

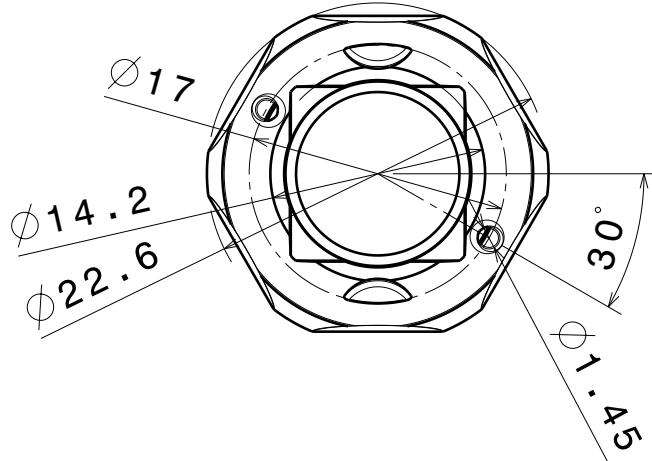


Isometric view

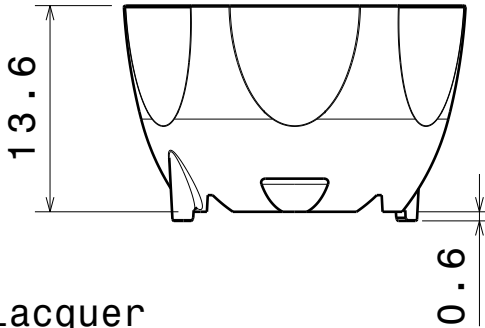


Soldering pad,
SST50/90 led

Bottom view



Front view



Material: PC
Coating: metal+clear lacquer

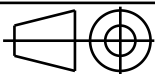
Versions for sst50/90 led;
C10977 Spot
C10978 Medium
C10979 sWide

Tolerances if not otherwise shown
According to DIN ISO 2768-1
Linear measures:
Up to 30mm class M, otherwise class C.
According to DIN ISO 2768-2
Form and position: class L



Ledil Oy
Salorankatu 10
FIN 24240 SALO
Finland

THIRD ANGLE PROJECTION:



DRAWING TITLE

Lily-Series_Reflector

This drawing is the property
of LEDiL Oy. It may not be
reproduced, copied or
communicated without a written
agreement with LEDiL Oy.

SIZE PART NUMBER

A4

-

SCALE 2:1 WEIGHT 2,2 g SHEET 1/1

D

A

4

4

3

3

2

2

1

1