

4

3

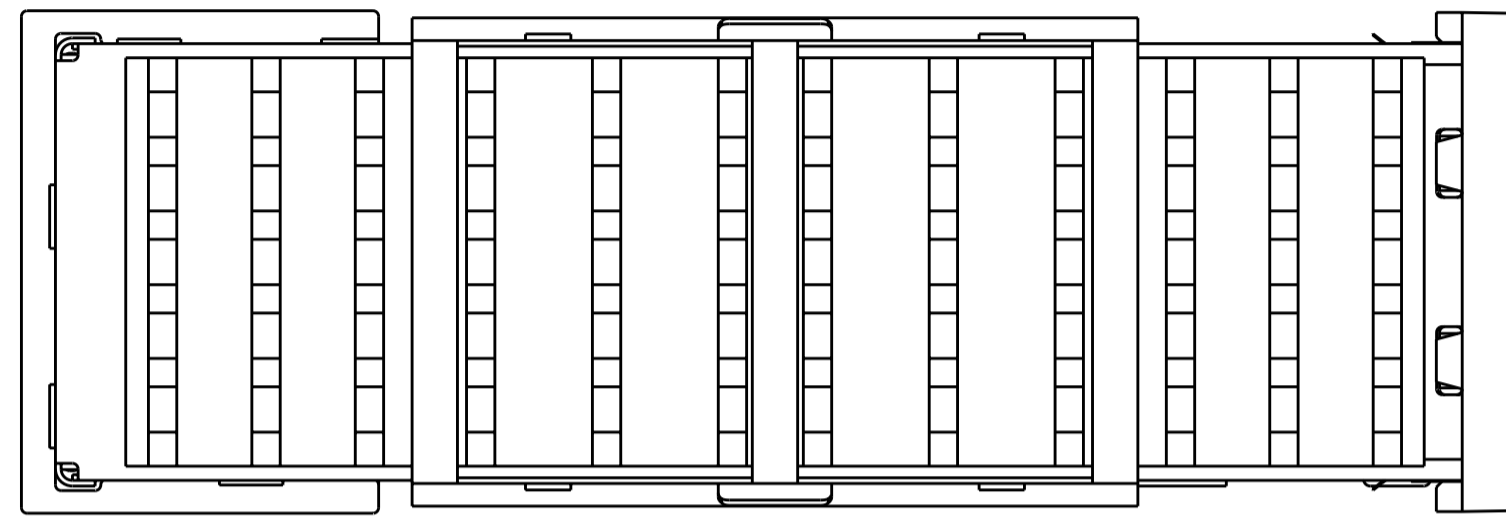
2

1

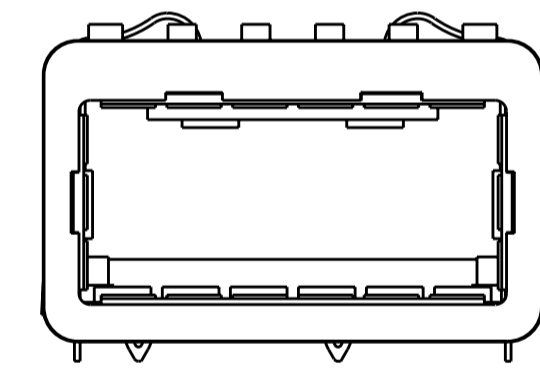
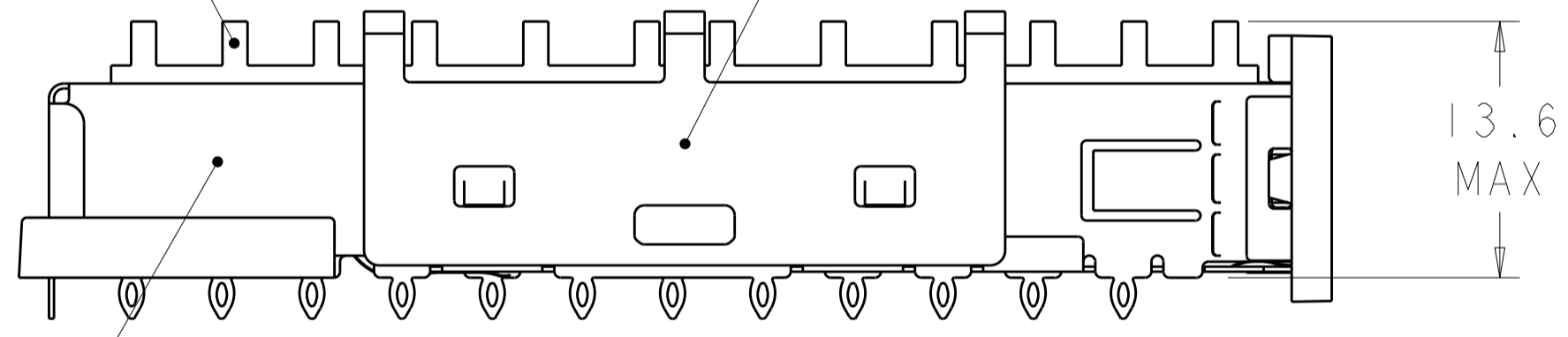
THIS DRAWING IS UNPUBLISHED. RELEASED FOR PUBLICATION 20
 © COPYRIGHT 20 BY - ALL RIGHTS RESERVED.

LOC	DIST	REVISIONS			
P	LTR	DESCRIPTION	DATE	DWN	APVD
GP	00	C	ECO-10-023988	19DEC2010	JY CW
		CI	REVISED PER ECO-11-012169	15JUN2011	KS MQ.W

1. MATES WITH XFP MSA COMPLIANT TRANSCEIVERS.
2. SEE COMPONENT DRAWINGS FOR COMPONENT DIMENSIONS AND INFORMATION.



XFP HEAT SINK
 XFP HEAT SINK CLIP



XFP CAGE ASSEMBLY

1542656-3	1489948-2	1489951-3	PCI	2007092-1
HEATSINK PART NUMBER	HEATSINK CLIP PART NUMBER	CAGE PART NUMBER	APPLICATION	PART NUMBER

THIS DRAWING IS A CONTROLLED DOCUMENT.		DWN J. POLIGNONE 25APR07	TE Connectivity XFP KIT ASSEMBLY	
DIMENSIONS:		CHK J. KOPPENHEFFER 27APR07		
TOLERANCES UNLESS OTHERWISE SPECIFIED:		APVD J. KOPPENHEFFER 25APR07		
mm		PRODUCT SPEC 108-2127		
MATERIAL		APPLICATION SPEC 114-13096	SIZE A200779	CAGE CODE C-2007092
-		WEIGHT -	SCALE 4	SHEET 1 OF 1
-		CUSTOMER DRAWING	RESTRICTED TO -	REV CI