

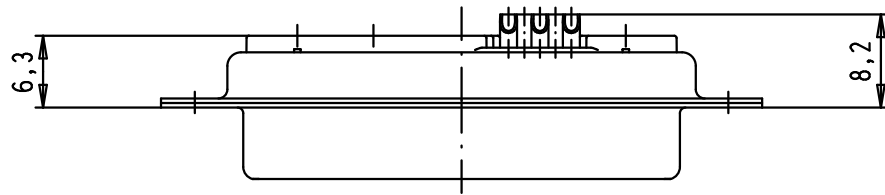
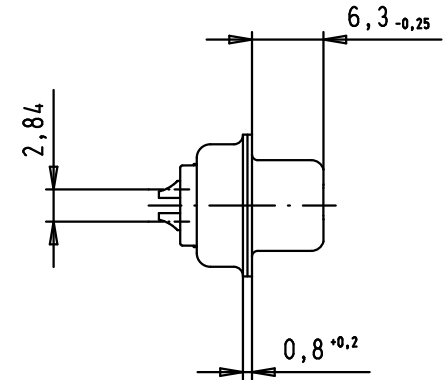
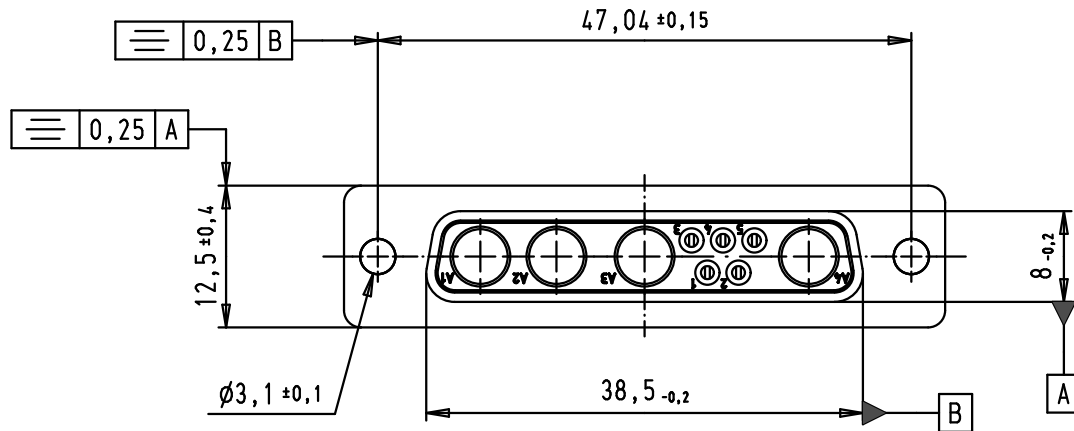
5

4

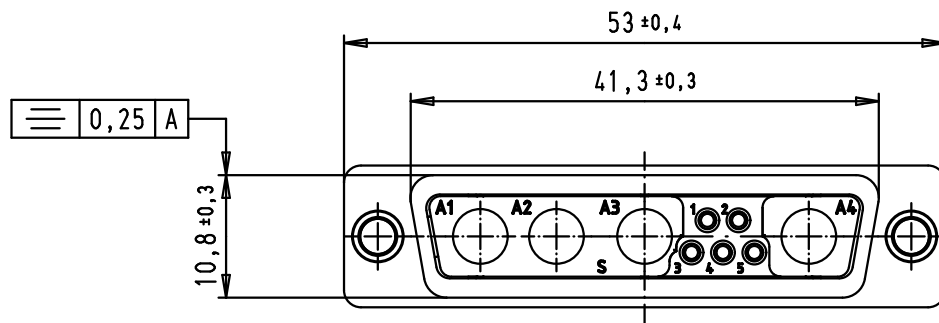
3

2

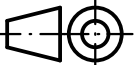

1



Solder bucket termination for AWG 20



A

						Dat.		Name		 All Dim. in mm Orig. Size DIN A 4	D-Sub, 9W4, female, straight, solder buckets, tin plated shell		Maßstab/ Scale
						Detail.		PK					1,5:1
09 69 301 7094.500	PL3	Non magnetic				Insp.							
09 69 301 7094	PL3	Magnetic				Stand.							
09 69 301 5094.500	S4	Non magnetic				HARTING EURL F-95972 Paris				TB 09 69 301 X094		Blatt/ Page 1 / 1	
09 69 301 5094	S4	Magnetic	34614	21/09/07	PK								
Part number	Performance level	Index designation	Mod.	Dat.	Name				Sub.				