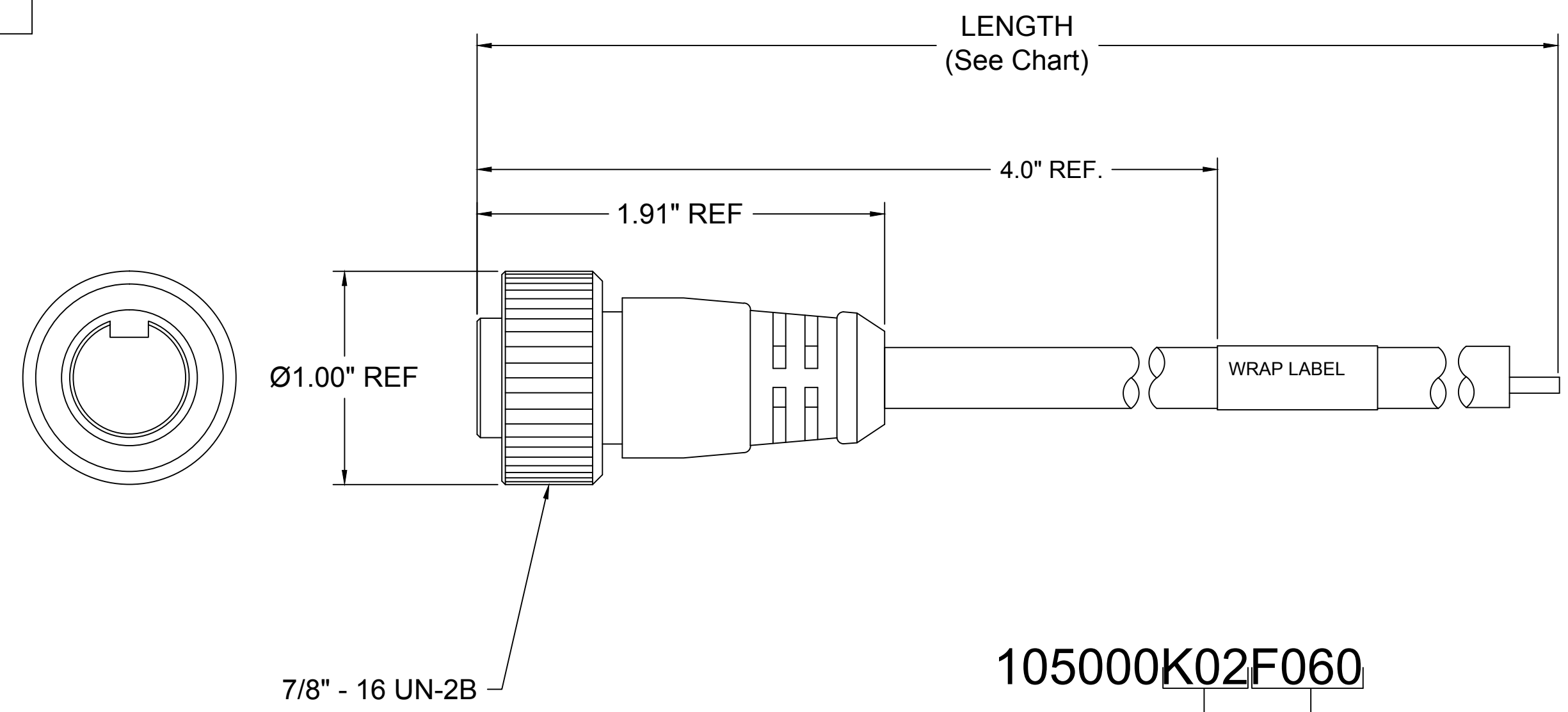


MATERIAL #	ENGINEERING #	LENGTH
1300061330	105000K02F060	6.0FT (+3.50" / -0)
1300061334	105000K02F120	12.0FT (+6.50" / -0)
1300061339	105000K02F200	20.0FT (+6.50" / -0)
1300061342	105000K02F300	30.0FT (+12.50" / -0)
1300062314	105000K02M050	5.0M (+165.1mm / -0)
1300062315	105000K02M100	10.0M (+317.5mm / -0)
1300061344	105000K02M200	20.0M (+622.3mm / -0)



105000K02F060

cable type
 18/5C AWG
 TPE YELLOW

cable length
 060----6 FEET
 120----12 FEET

SPECS:
 OVERMOLD: YELLOW PVC
 INSERTS: YELLOW PVC
 CONTACTS: COPPER ALLOY, GOLD OVER NICKEL
 COUPLING NUTS: ZINC DIECAST W/ BLACK 'E' COAT
 CABLE: #18-5 YELLOW TPE
 TORSIONAL FLEX: 10 MILLION CYCLES
 BEND FLEX: 10 MILLION CYCLES
 BENDING RADIUS: 10 x CABLE DIAMETER
 ELECTRICAL: 300V AC/DC, 5.6A
 TEMPERATURE: -20°C TO 105°C
 PROTECTION: IP67
 CSA CERTIFIED: FILE NO. LR6837
 ASSEMBLY IS RoHS COMPLIANT

RELEASE EC NO: BWOODMAN DRWN: GGUSTAFS 2014/12/23 CH'KD: BARDEN 2015/02/17 APPR: BWOODMAN 2015/01/15	QUALITY SYMBOL	GENERAL TOLERANCES (UNLESS SPECIFIED)		DIMENSION STYLE INCH ONLY		SCALE NTS	DESIGN UNITS INCH	THIRD ANGLE PROJECTION	
	▼=0	mm	INCH	DRAWN BY	DATE	TITLE			
	∇=0	4 PLACES ±---	±---	GGUSTAFS	2014/12/23	BRAD CONNECTIVITY MINI-CHANGE A-SIZE 5P- FEMALE STRAIGHT- TPE			
		3 PLACES ±---	±.005	CHECKED BY	DATE				
	2 PLACES ±.13	±.010	BARDEN	2015/02/17	MOLEX INCORPORATED				
	1 PLACE ±.25	±---	APPROVED BY	DATE					
	ANGULAR ±.5°		BWOODMAN 2015/01/15		DOCUMENT NO.		SD-130006-072		
	DRAFT WHERE APPLICABLE MUST REMAIN WITHIN DIMENSIONS		MATERIAL NO.		SEE CHART		SHEET NO.		1 OF 1
A	REV	THIS DRAWING CONTAINS INFORMATION THAT IS PROPRIETARY TO MOLEX INCORPORATED AND SHOULD NOT BE USED WITHOUT WRITTEN PERMISSION							