

PART NAME: KNOB

SCALE: 1:1

DATE: 5/10/05

DR. BY JAM

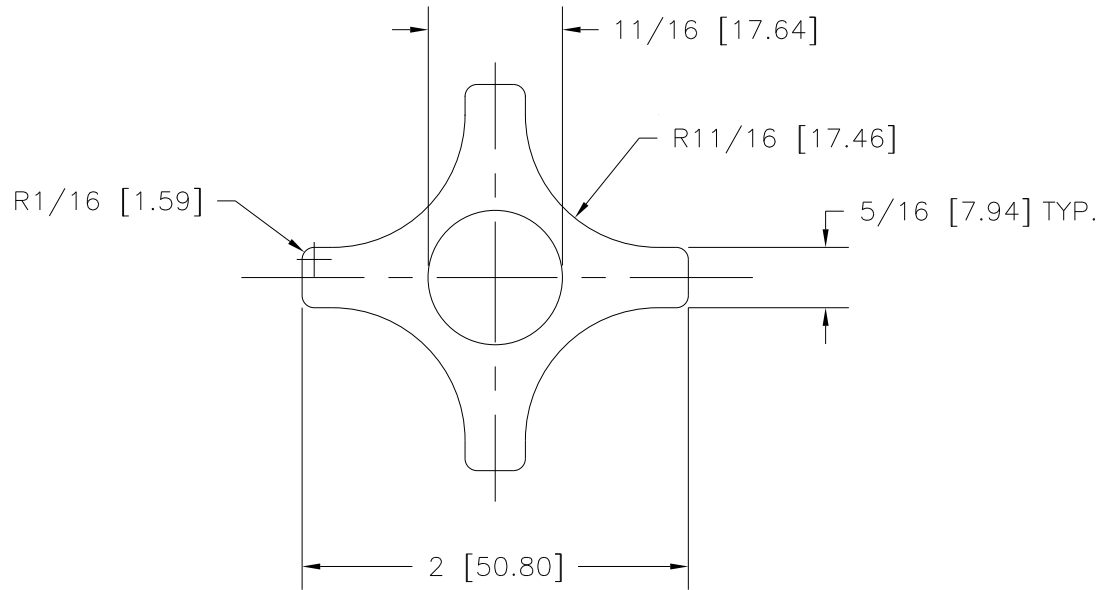


DESIGNERS & MANUFACTURERS
OF KNOBS, HANDLES, CASES &
CUSTOM PLASTIC COMPONENTS

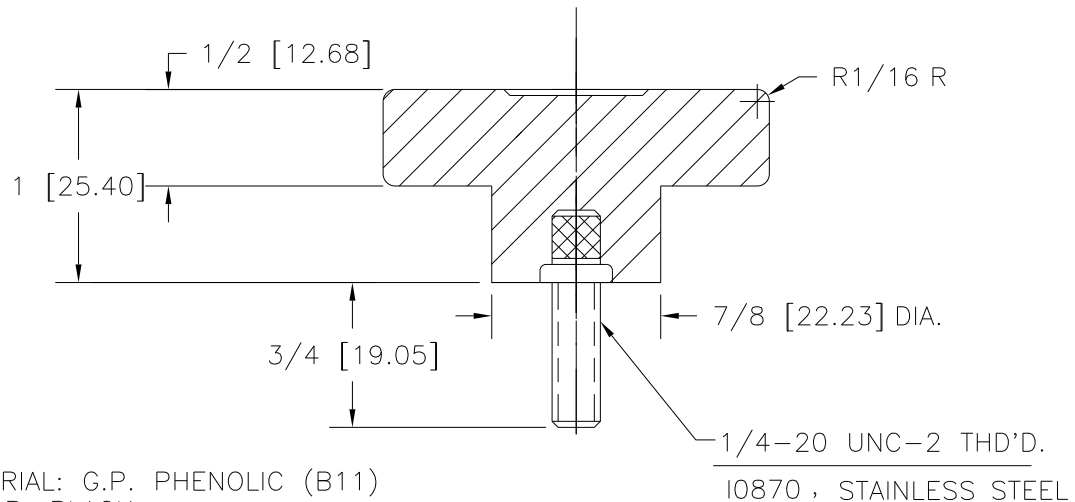
P/N 2830CX

THIS DRAWING IS THE PROPERTY OF DAVIES MOLDING COMPANY, IS SUBMITTED SOLELY AS A DESIGN OR ENGINEERING PROJECT.
WE ACCEPT NO RESPONSIBILITY WHATSOEVER FOR THE PRACTICAL APPLICATION OF THE PIECES MADE TO THIS DESIGN.

M^{NO.} 2890-2830



| | |
|----------------|--------|
| CAVITY | 2830 |
| PLUNGER | 2830 |
| PLUNGER PIN | 2830 |
| PINS | 3000-H |
| LANDING BAR | .472 |
| PIN PLATE SHIM | .498 |
| SHIM | .018 |
| INSERT | I0870 |



MATERIAL: G.P. PHENOLIC (B11)
COLOR: BLACK

| | | | | |
|---|----------------------------------|---------|---------------|-------------|
| TOLERANCES: UNLESS OTHERWISE SPECIFIED | DO NOT SCALE DRAWING | | | |
| DECIMALS: X.XXX ± .005 X.XX ± .015 | MM: X.XX ± 0.15MM X.X ± 0.4MM | - | WAS SK2830-35 | JAM 5/10/05 |
| FRACTIONS ± 1/64 | ANG. ± 1° | CHANGES | | |