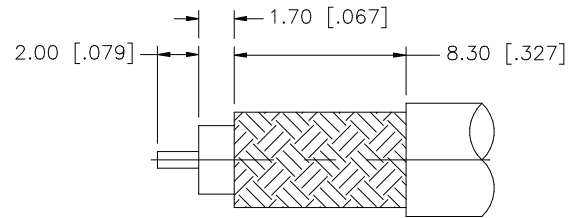
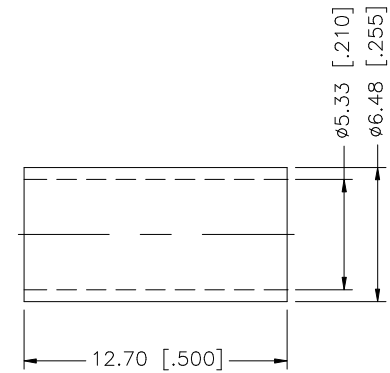
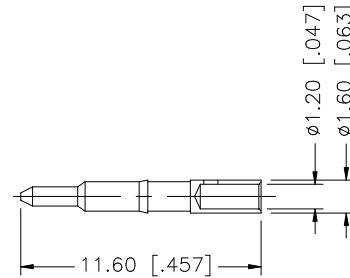
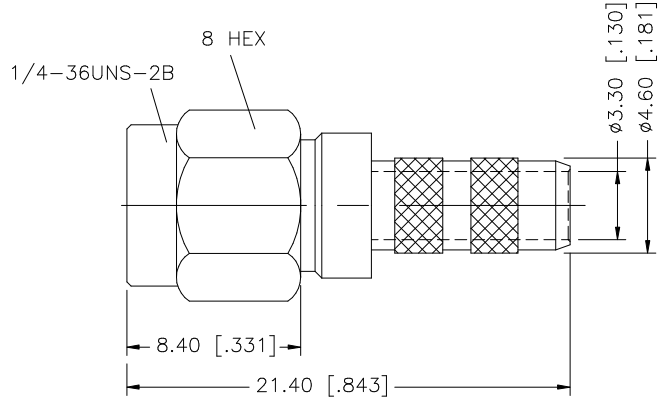


REV.	DATE	DESCRIPTION
A	01/25/04	UPDATE DRAWING FORMAT



RECOMMENDED
CABLE STRIPPING DIM'S



NOTE:

1. CRIMPED FERRULE
HEX CRIMP SIZE .213"
2. CONTACT PIN TO SOLDER

8					<small>UNLESS OTHERWISE SPECIFIED DIMENSIONS ARE IN MILLIMETERS. DIMENSIONS IN [] ARE IN INCHES AND FOR CUSTOMER REFERENCE ONLY.</small> <small>UNLESS OTHERWISE SPECIFIED TOLERANCES FOR MILLIMETERS ARE:</small> 0.5 - 8mm ± 0.20mm 8 - 30mm ± 0.40mm 30 - 120mm ± 0.50mm <small>UNLESS OTHERWISE SPECIFIED TOLERANCES FOR INCHES ARE:</small> .020 - .315 = ± 0.007" .315 - 1.180 = ± 0.015" 1.180 - 4.724 = ± 0.020"	APPROVALS	DATE	<h1 style="color: blue;">Amphenol Connex</h1>			
7				DRAWN		G.R.S.	01/25/04				
6				CHECKED				PART DESCRIPTION SMA CRIMP PLUG (FOR TIMES LMR-200)			
5				ISSUED							
4	FERRULE	COPPER	GOLD	1	SHEET	1 OF 1	PART NO. 132234				
3	CONTACT PIN	BRASS	GOLD	1							
2	INSULATOR	TEFLON	NATURAL	1			DWG. NO. 132234.DWG REV. A SIZE A SCALE NA				
1	BODY	BRASS	GOLD	1							
DO NOT SCALE DRAWING					CAD FILE C:/132/132234.DWG						