

Important notice

Dear Customer,

On 7 February 2017 the former NXP Standard Product business became a new company with the tradename **Nexperia**. Nexperia is an industry leading supplier of Discrete, Logic and PowerMOS semiconductors with its focus on the automotive, industrial, computing, consumer and wearable application markets

In data sheets and application notes which still contain NXP or Philips Semiconductors references, use the references to Nexperia, as shown below.

Instead of <http://www.nxp.com>, <http://www.philips.com/> or <http://www.semiconductors.philips.com/>, use <http://www.nexperia.com>

Instead of sales.addresses@www.nxp.com or sales.addresses@www.semiconductors.philips.com, use salesaddresses@nexperia.com (email)

Replace the copyright notice at the bottom of each page or elsewhere in the document, depending on the version, as shown below:

- © NXP N.V. (year). All rights reserved or © Koninklijke Philips Electronics N.V. (year). All rights reserved

Should be replaced with:

- © **Nexperia B.V. (year). All rights reserved.**

If you have any questions related to the data sheet, please contact our nearest sales office via e-mail or telephone (details via salesaddresses@nexperia.com). Thank you for your cooperation and understanding,

Kind regards,

Team Nexperia

DATA SHEET

For a complete data sheet, please also download:

- The IC06 74HC/HCT/HCU/HCMOS Logic Family Specifications
- The IC06 74HC/HCT/HCU/HCMOS Logic Package Information
- The IC06 74HC/HCT/HCU/HCMOS Logic Package Outlines

74HC/HCT9114

**Nine wide Schmitt trigger buffer;
open drain outputs; inverting**

Product specification
Supersedes data of March 1988
File under Integrated Circuits, IC06

December 1990

Nine wide Schmitt trigger buffer; open drain outputs; inverting

74HC/HCT9114

FEATURES

- Schmitt trigger action on all data inputs
- Output capability: standard (open drain)
- I_{CC} category: MSI

GENERAL DESCRIPTION

The 74HC/HCT9114 are high-speed Si-gate CMOS devices and are pin compatible with low power Schottky TTL (LSTTL). They are specified in compliance with JEDEC standard no. 7A.

The 74HC/HCT9114 are nine wide Schmitt trigger inverting buffer with open drain outputs and Schmitt trigger inputs.

The Schmitt trigger action in the data inputs transform slowly changing input signals into sharply defined jitter-free output signals.

The 74HC/HCT9114 have open-drain N-transistor outputs, which are not clamped by a diode connected to V_{CC}. In the OFF-state, i.e. when one input is LOW, the output may be pulled to any voltage between GND and V_{Omax}. This allows the device to be used as a LOW-to-HIGH or HIGH-to-LOW level shifter. For digital operation and OR-tied output applications, these devices must have a pull-up resistor to establish a logic HIGH level.

The "9114" is identical to the "9115" but has inverting outputs.

QUICK REFERENCE DATA

GND = 0 V; T_{amb} = 25 °C; t_r = t_f = 6 ns

| SYMBOL | PARAMETER | CONDITIONS | TYPICAL | | UNIT |
|-------------------------------------|---|---|---------|-----|------|
| | | | HC | HCT | |
| t _{PHL} / t _{PLZ} | propagation delay A _n to \bar{Y}_n | C _L = 15 pF; V _{CC} = 5 V | 12 | 13 | ns |
| C _I | input capacitance | | 3.5 | 3.5 | pF |
| C _{PD} | power dissipation capacitance per buffer | notes 1 and 2 | 5 | 5 | pF |

Notes

1. C_{PD} is used to determine the dynamic power dissipation (P_D in μW):

$$P_D = C_{PD} \times V_{CC}^2 \times f_i + \sum (C_L \times V_{CC}^2 \times f_o) \text{ where:}$$

f_i = input frequency in MHz

f_o = output frequency in MHz

∑ (C_L × V_{CC}² × f_o) = sum of outputs

C_L = output load capacitance in pF

V_{CC} = supply voltage in V

2. For HC the condition is V_I = GND to V_{CC}
For HCT the condition is V_I = GND to V_{CC} – 1.5 V

ORDERING INFORMATION

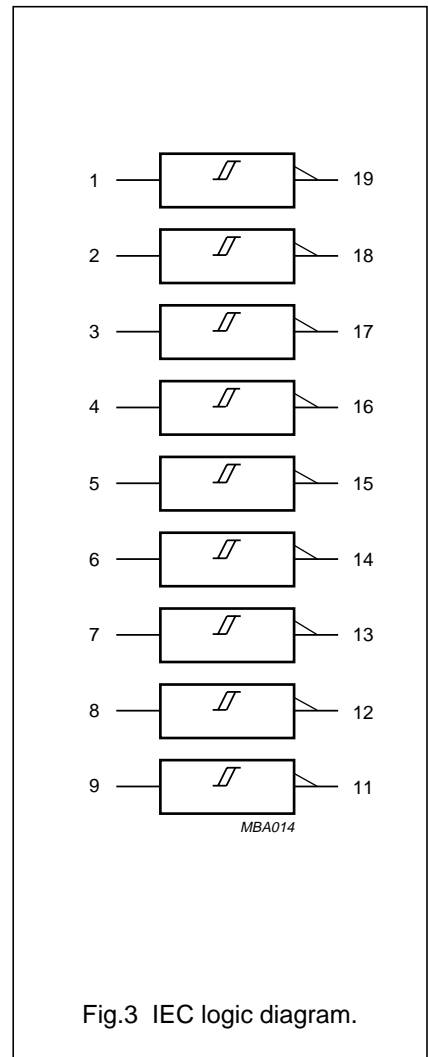
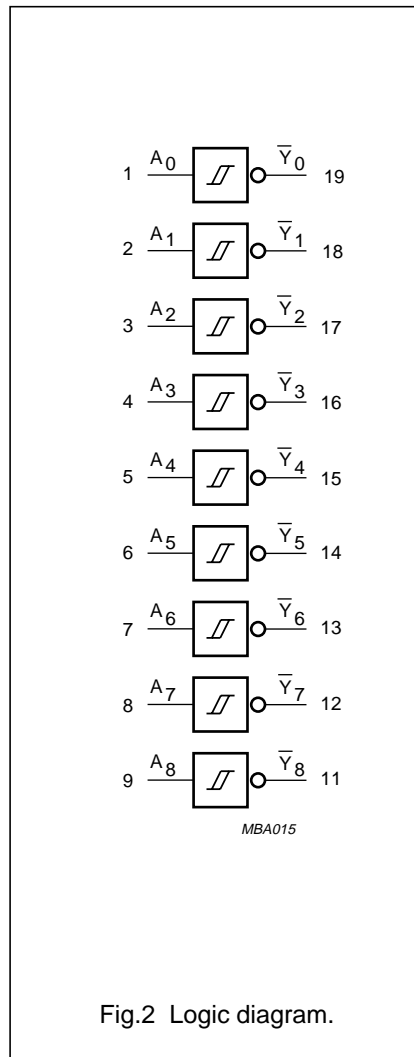
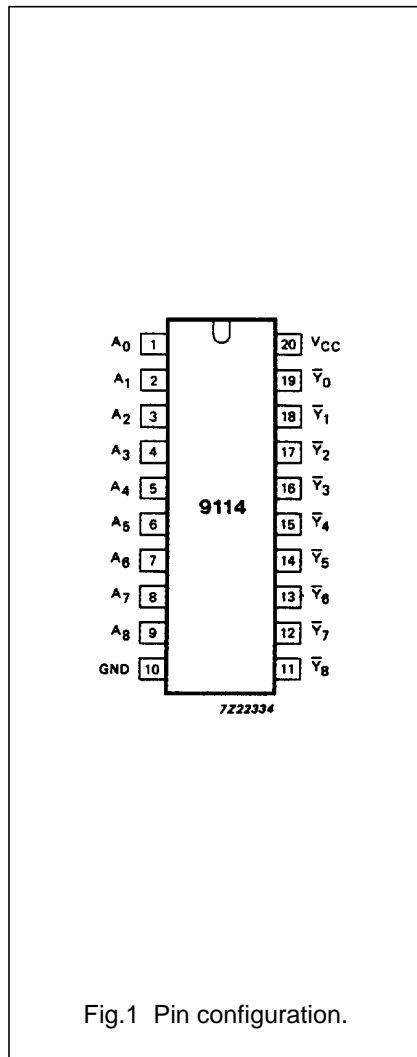
See "74HC/HCT/HCU/HCMOS Logic Package Information".

Nine wide Schmitt trigger buffer;
open drain outputs; inverting

74HC/HCT9114

PIN DESCRIPTION

| PIN NO. | SYMBOL | NAME AND FUNCTION |
|------------------------------------|----------------------------------|-------------------------|
| 1, 2, 3, 4, 5, 6, 7, 8, 9 | A ₀ to A ₈ | data inputs |
| 10 | GND | ground (0 V) |
| 19, 18, 17, 16, 15, 14, 13, 12, 11 | \bar{Y}_0 to \bar{Y}_8 | data outputs |
| 20 | V _{CC} | positive supply voltage |



Nine wide Schmitt trigger buffer;
open drain outputs; inverting

74HC/HCT9114

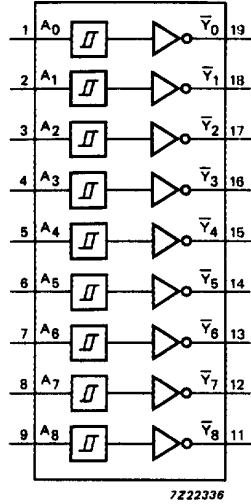


Fig.4 Functional diagram.

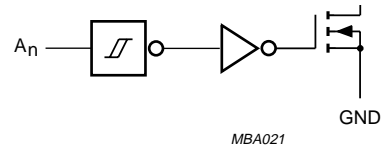


Fig.5 Logic diagram (one Schmitt trigger).

FUNCTION TABLE

| INPUTS | OUTPUTS |
|--------|-------------|
| A_n | \bar{Y}_n |
| L | Z |
| H | L |

Notes

1. H = HIGH voltage level
L = LOW voltage level
Z = high impedance OFF-state

Nine wide Schmitt trigger buffer;
open drain outputs; inverting

74HC/HCT9114

DC CHARACTERISTICS FOR 74HC

For the DC characteristics see *"74HC/HCT/HCU/HCMOS Logic Family Specifications"*.

Transfer characteristics are given below.

Output capability: standard

I_{CC} category: MSI

TRANSFER CHARACTERISTICS FOR 74HC

Voltages are referred to GND (ground = 0 V)

| SYMBOL | PARAMETER | T _{amb} (°C) | | | | | | | | UNIT | TEST CONDITIONS | |
|-----------------|---|-----------------------|----------------------|----------------------|----------------------|----------------------|----------------------|----------------------|---|-------------------|------------------------|-----------|
| | | 74HC | | | | | | | | | V _{CC} (V) | WAVEFORMS |
| | | +25 | | | -40 to +85 | | -40 to +125 | | | | | |
| | | min. | typ. | max. | min. | max. | min. | max. | | | | |
| V _{T+} | positive-going threshold | 0.70 1.75 2.30 | 1.13 2.37 3.11 | 1.50 3.15 4.20 | 0.70 1.75 2.30 | 1.50 3.15 4.20 | 0.70 1.75 2.30 | 1.50 3.15 4.20 | V | 2.0 4.5 6.0 | Fig.6 | |
| V _{T-} | negative-going threshold | 0.30 1.35 1.80 | 0.70 1.80 2.43 | 1.10 2.40 3.30 | 0.30 1.35 1.80 | 1.10 2.40 3.30 | 0.30 1.35 1.80 | 1.10 2.40 3.30 | V | 2.0 4.5 6.0 | Fig.6 | |
| V _H | hysteresis (V _{T+} - V _{T-}) | 0.2 0.4 0.5 | 0.43 0.57 0.68 | 0.80 1.00 1.10 | 0.18 0.40 0.50 | 0.80 1.00 1.10 | 0.15 0.40 0.50 | 0.80 1.00 1.10 | V | 2.0 4.5 6.0 | Fig.6 | |

AC CHARACTERISTICS FOR 74HC

GND = 0 V; t_r = t_f = 6 ns; C_L = 50 pF

| SYMBOL | PARAMETER | T _{amb} (°C) | | | | | | | | UNIT | TEST CONDITIONS | |
|-------------------------------------|--|-----------------------|----------------|-----------------|------------|-----------------|-------------|-----------------|----|-------------------|------------------------|-----------|
| | | 74HC | | | | | | | | | V _{CC} (V) | WAVEFORMS |
| | | +25 | | | -40 to +85 | | -40 to +125 | | | | | |
| | | min. | typ. | max. | min. | max. | min. | max. | | | | |
| t _{PHL} / t _{PLZ} | propagation delay A _n to \bar{Y}_n | | 36 13 10 | 110 22 19 | | 140 28 24 | | 165 33 28 | ns | 2.0 4.5 6.0 | Fig.7 | |
| t _{THL} | output transition time | | 19 7 6 | 75 15 13 | | 95 19 16 | | 110 22 19 | ns | 2.0 4.5 6.0 | Fig.7 | |

Nine wide Schmitt trigger buffer; open drain outputs; inverting

74HC/HCT9114

DC CHARACTERISTICS FOR 74HCT

For the DC characteristics see *"74HC/HCT/HCU/HCMOS Logic Family Specifications"*.

Transfer characteristics are given below.

Output capability: standard

I_{CC} category: MSI

Note to HCT types

The value of additional quiescent supply current (ΔI_{CC}) for a unit load of 1 is given in the family specifications.

To determine ΔI_{CC} per input, multiply this value by the unit load coefficient shown in the table below.

| INPUT | UNIT LOAD COEFFICIENT |
|----------------|-----------------------|
| A _n | 0.3 |

TRANSFER CHARACTERISTICS FOR 74HCT

Voltages are referred to GND (ground = 0 V)

| SYMBOL | PARAMETER | T _{amb} (°C) | | | | | | | | UNIT | TEST CONDITIONS | |
|-----------------|---|-----------------------|--------------|------------|------------|------------|-------------|------------|---|------------|------------------------|-----------|
| | | 74HCT | | | | | | | | | V _{CC} (V) | WAVEFORMS |
| | | +25 | | | -40 to +85 | | -40 to +125 | | | | | |
| | | min. | typ. | max. | min. | max. | min. | max. | | | | |
| V _{T+} | positive-going threshold | 0.9 1.2 | 1.50 1.70 | 2.0 2.1 | 0.9 1.2 | 2.0 2.1 | 0.9 1.2 | 2.0 2.1 | V | 4.5 5.5 | Fig.6 | |
| V _{T-} | negative-going threshold | 0.7 0.8 | 1.06 1.27 | 1.4 1.7 | 0.7 0.8 | 1.4 1.7 | 0.7 0.8 | 1.4 2.7 | V | 4.5 5.5 | Fig.6 | |
| V _H | hysteresis (V _{T+} - V _{T-}) | 0.2 0.2 | 0.44 0.44 | 0.8 0.8 | 0.2 0.2 | 0.8 0.8 | 0.2 0.2 | 0.8 0.8 | V | 4.5 5.5 | Fig.6 | |

AC CHARACTERISTICS FOR 74HCT

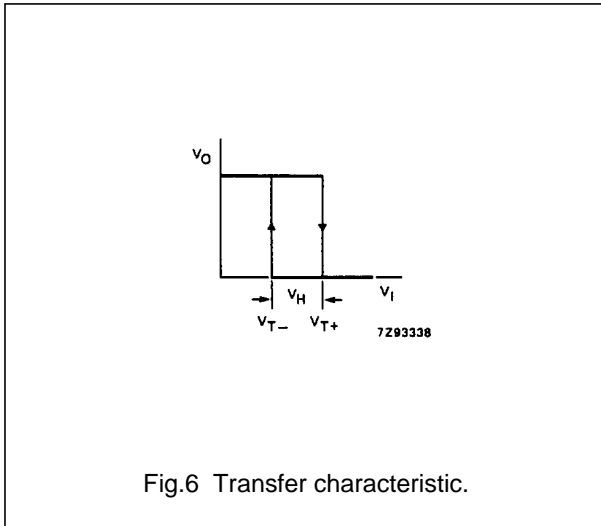
GND = 0 V; t_r = t_f = 6 ns; C_L = 50 pF

| SYMBOL | PARAMETER | T _{amb} (°C) | | | | | | | | UNIT | TEST CONDITIONS | |
|-------------------------------------|--|-----------------------|------|------|------------|------|-------------|------|----|------|------------------------|-----------|
| | | 74HCT | | | | | | | | | V _{CC} (V) | WAVEFORMS |
| | | +25 | | | -40 to +85 | | -40 to +125 | | | | | |
| | | min. | typ. | max. | min. | max. | min. | max. | | | | |
| t _{PHL} / t _{PLZ} | propagation delay A _n to \bar{Y}_n | | 17 | 31 | | 39 | | 47 | ns | 4.5 | Fig.7 | |
| t _{THL} | output transition time | | 7 | 15 | | 19 | | 22 | ns | 4.5 | Fig.7 | |

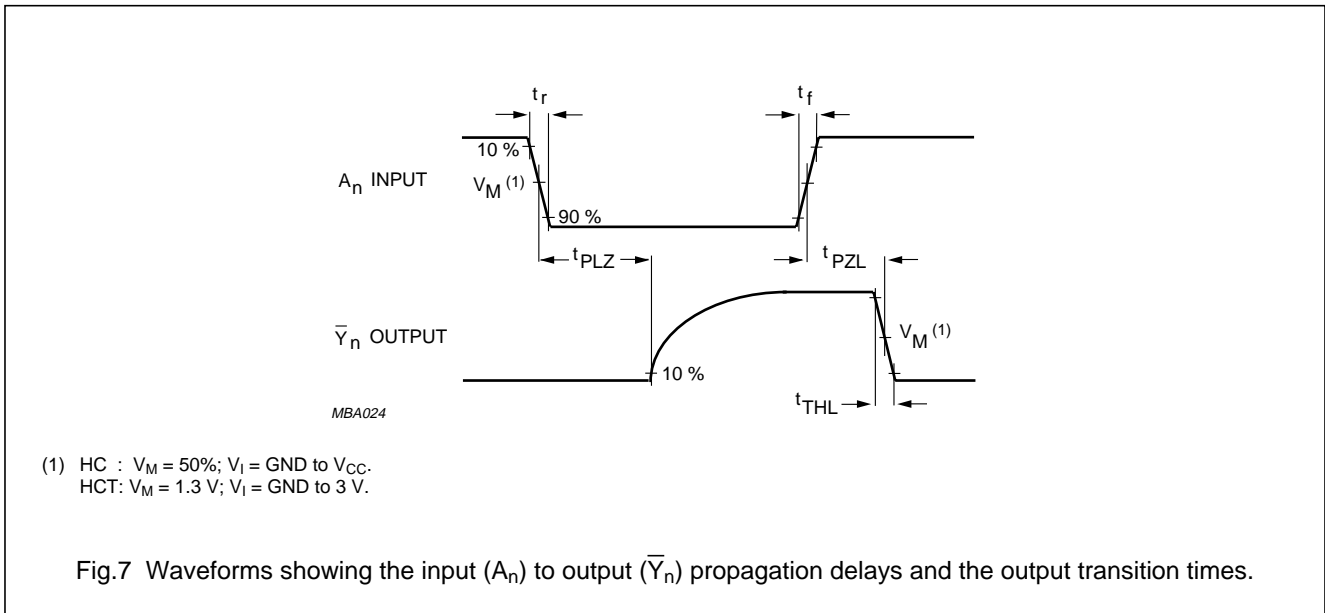
Nine wide Schmitt trigger buffer;
open drain outputs; inverting

74HC/HCT9114

TRANSFER CHARACTERISTIC WAVEFORMS



AC WAVEFORMS



PACKAGE OUTLINES

See "74HC/HCT/HCU/HCMOS Logic Package Outlines".