

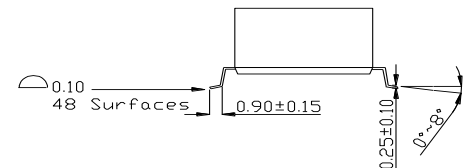
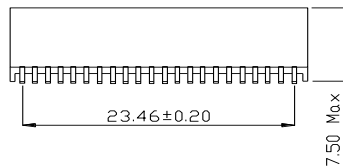
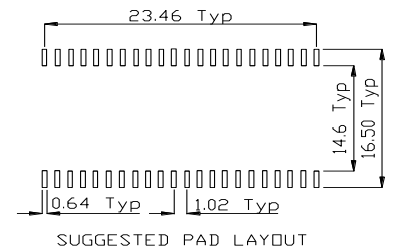
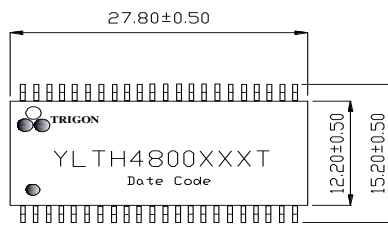
YLTH4800 Series

2.5/5G Base-T SMD Dual ports Magnetics Modules

TRIGON
COMPONENTS



Mechanical Dimensions



FEATURES

- Surface Mount
- Cost Effective
- Optimum Performance
- Industrial Standard Foot Print
- Optional Pin-Outs
- Cable Interface For Isolation
- Low Common Mode Emissions
- RoHS Compliant
- Meets IEEE 802.3 specification.

APPLICATIONS

- Designed For Ethernet 2.5/5G Base-T, Full Dual Ports Application
- 5G CPE
- WIFI5/6
- High Speed Routers/Switches

ORDERING CODE

YLT H 4800XXX T

(1) (2) (3) (4)

- (1) LAN Transformer
- (2) High Speed Transformer over 1gigabit
- (3) Series code
- (4) Package
T= Tape & Reel

IC Manufactures Reference Application:

Marvell:
-88E2010, 88E2018, 88E2110

Broadcom:
-BCM54991, BCM63153, BCM63158, BCM84880

Aquantia:
-AQR108, AQR408

YLTH4800 Series

2.5/5G Base-T SMD Dual Ports Magnetics Modules

TRIGON
COMPONENTS

Electrical Specifications @ 25°C, Operating Temperature 0°C~70°C

Part Number	OCL (uH Min)	Insertion Loss (dB Max)	Return Loss (dB Max)	Returnn Loss (dB Max)	Cross Talk (dB Typ)	CMRR (dB Typ)	PoE Rating	Hipot (Vrms)
	100KHz, 0.1Vrms	1-100MHz / 100-250MHz	1-40MHz	40-250MHz *Z Out=100 OHM±1%	1-250MHz	1-250MHz	Watt	For 1 Minute
YLTH48001T	200@8mA	-1.0 / 2.0	-16	- 16+10log(f/40)	-30	-30	NON-PoE	1500
YLTH48002T	200@8mA	-1.0 / 2.0	-16	- 16+10log(f/40)	-30	-30	4PPoE- 30W	1500
YLTH48002-1PT	200@14mA	-1.0 / 2.0	-16	- 16+10log(f/40)	-30	-30	4PPoE- 75W	1500
YLTH48003T	200@8mA	-1.0 / 2.0	-16	- 16+10log(f/40)	-30	-30	4PPoE- 30W	1500
YLTH48004T	200@8mA	-1.0 / 2.0	-16	- 16+10log(f/40)	-30	-30	4PPoE- 30W	1500
YLTH48004-1PT	200@14mA	-1.0 / 2.0	-16	- 16+10log(f/40)	-30	-30	4PPoE- 75W	1500

*These Transformers with Operating Temperature At -40°C~+85°C, Are Available Upon Request.

YLTH4800 Series

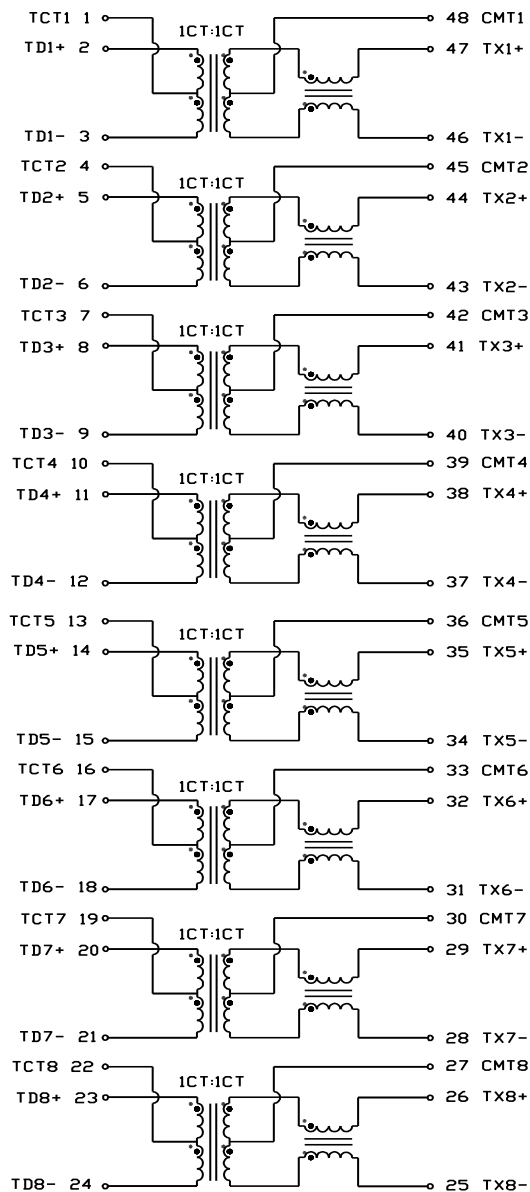
2.5/5G Base-T SMD Dual Ports Magnetics Modules

TRIGON
COMPONENTS

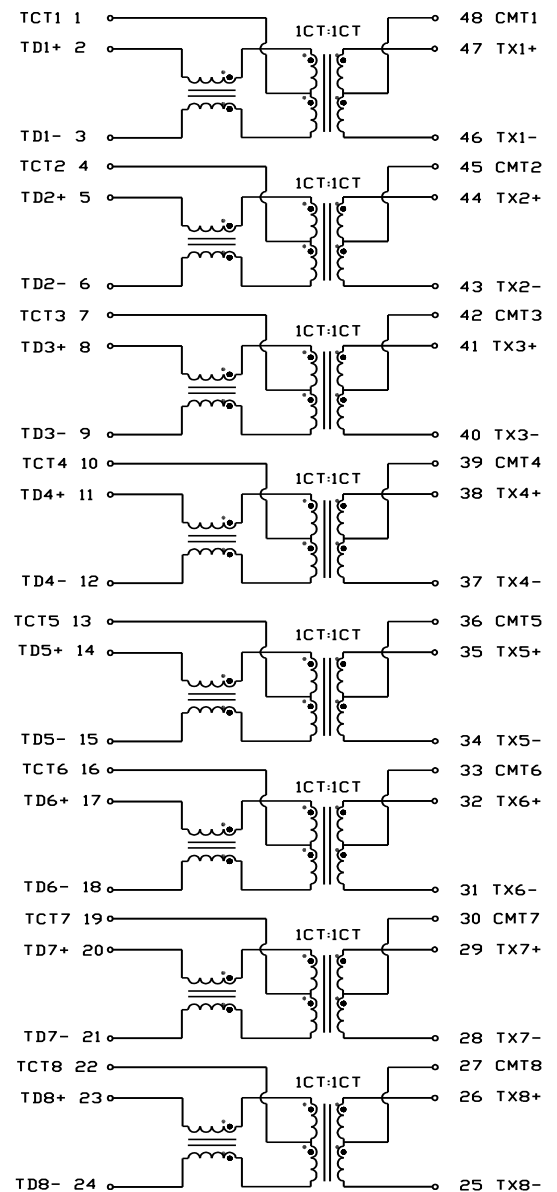
Schematic

SCHEMATIC:

YLTH48001T



YLTH48004T/YLTH48004-1PT



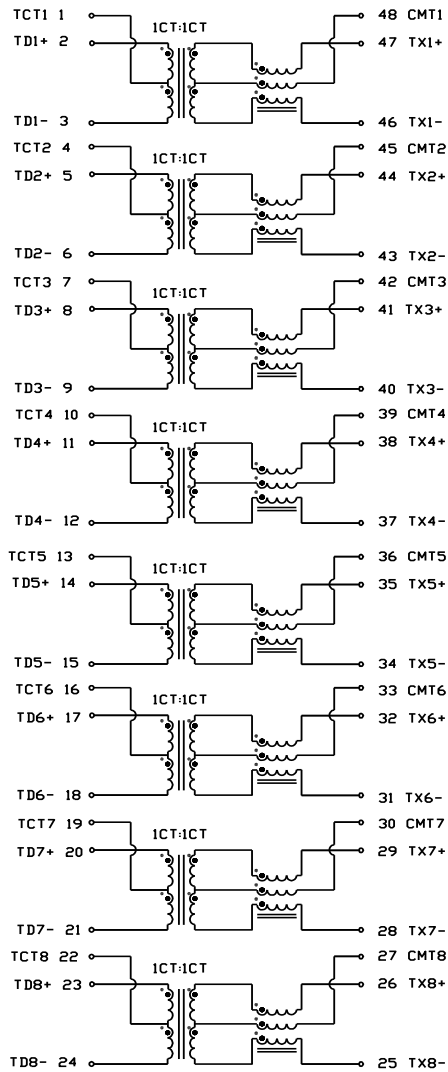
YLTH4800 Series

2.5/5G Base-T SMD Dual Ports Magnetics Modules

TRIGON
COMPONENTS

Schematic

YLTH48003T



YLTH48002T/YLTH48002-1PT

