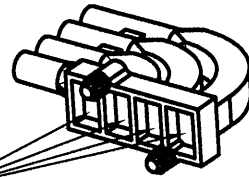
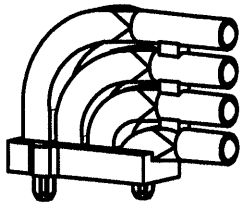
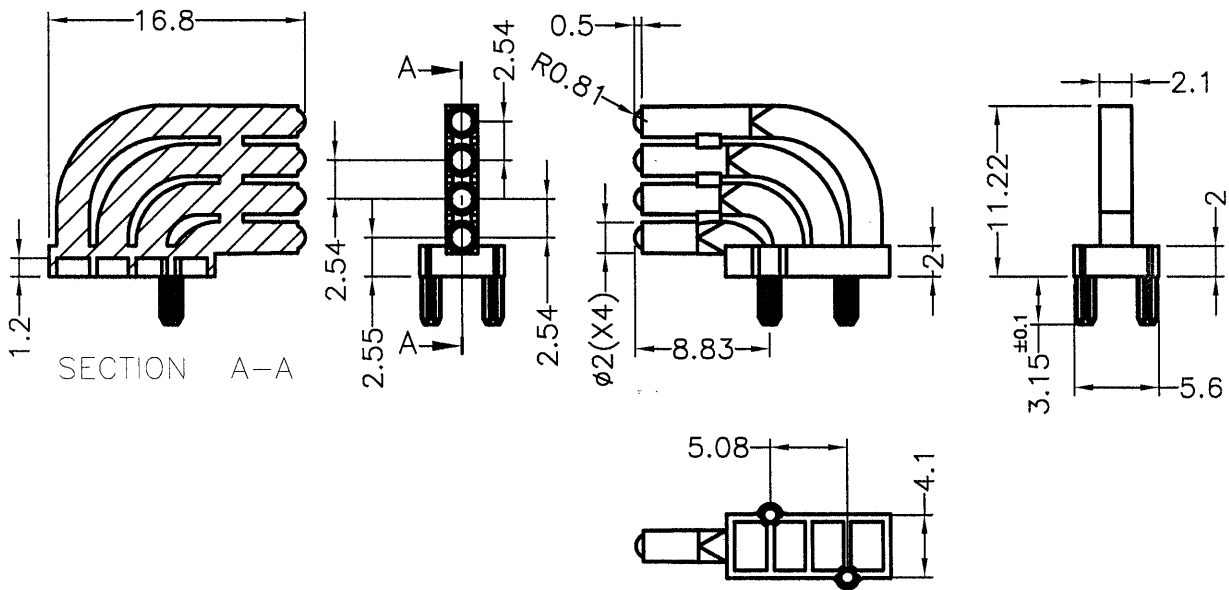
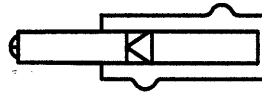


DIM.	TOL
L≤10	±0.2
10<L≤30	±0.3
30<L≤50	±0.5
50<L≤100	±0.7
100<L≤250	±1.2
ABOVE 250	±1.5

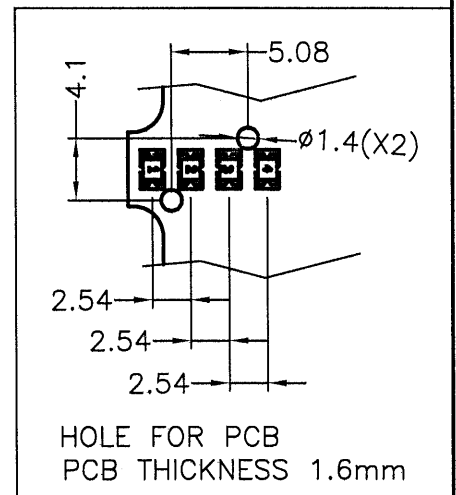
REVISIONS			
REV	DESCRIPTION	DATE	BY



POLISHED



NOTE: MADE OF EQUIVALENT MATERIAL.
使用同等材質



康揚企業股份有限公司
KANG YANG HARDWARE ENTERPRISE CO., LTD.
康揚塑膠(東莞)有限公司
KANG YANG PLASTIC(DONG GUAN) CO., LTD.
康哲電腦配件(吳江)有限公司
KANG CHE COMPUTER COMPONENTS(WUJIANG) CO., LTD.

TITLE	LIGHT PIPE	SPEC. DWG.
MATERIAL	PC UL94V-0	DATE 2012.06.14
FINISH		DRAWN T.C
COLOR	TRANSPARENT	CHECK Will
PART NUMBER	LPE4-3.6V0	DRAWING NUMBER LPE4-3.6V0
UNLESS OTHERWISE SPECIFIED TOLERANCE	SEE ABOVE	APPROVED Kang

PART NUMBER	LPE4-3.6V0	DRAWING NUMBER	LPE4-3.6V0
SIZE	A4	SCALE	2:1
UNIT	mm	REV	A