

NOTES:

- MATERIALS:**
HOUSING - LIQUID CRYSTAL POLYMER (LCP),
GLASS-FILLED, UL 94V-0, COLOR: BLACK
SIGNAL PIN & SHIELD - COPPER ALLOY
- FINISHES:**
CONTACT AREA: SELECTIVE GOLD (Au)
PCB TAILS: SELECTIVE MATTE TIN (Sn)
NICKEL (Ni) OVERALL.
- THIS PART CONFORMS TO MOLEX PRODUCT SPECIFICATION PS-74031-999
- FOR MIXED CONTACT LENGTHS CONSULT MOLEX FOR AVAILABILITY
- FOR SPECIFIC MATERIAL NUMBERS & MATING INFORMATION REFER TO SHEET 2
- PACKAGE PER PK-74061-003
- MARK PART WITH PART NUMBER & DATE CODE APPROXIMATELY WHERE SHOWN
- MAPS (MOLEX ADVANCED PLATING SYSTEM).

THE PRIMARY CARTON WITH A LABEL STATING "ELV AND RoHS COMPLAINT" IS LEAD FREE. CARTONS WITHOUT THIS LABEL MAY CONTAIN LEAD.

LEAD FREE CONVERSION EC NO: UCP2013-0687 DRAWINGS: 2012/08/23 CHKD:MMOLFE 2012/11/26 APPR:SMILLER 2012/12/14	QUALITY SYMBOLS ▽=0 ▽=0 ▽=0	GENERAL TOLERANCES (UNLESS SPECIFIED)		DIMENSION STYLE MM ONLY		SCALE 2.5:1	DESIGN UNITS METRIC	THIRD ANGLE PROJECTION	
		mm	INCH	DRAWN BY MWANG	DATE 1998/11/12	TITLE VHDM 8 ROW SHIELD END BACKPLANE SALES ASSEMBLY	molex		DOCUMENT NO. SD-74062-002
4 PLACES	±	---	±	---	CHECKED BY JLAURX	DATE 1998/11/12			
3 PLACES	±	---	±	---	APPROVED BY CBIXLER	DATE 1998/11/12	ANGULAR ±1/2°		THIS DRAWING CONTAINS INFORMATION THAT IS PROPRIETARY TO MOLEX. INCORPORATED AND SHOULD NOT BE USED WITHOUT WRITTEN PERMISSION
2 PLACES	±	---	±	---	DRAFT WHERE APPLICABLE MUST REMAIN WITHIN DIMENSIONS		SIZE C		
1 PLACE	±	---	±	---					
0 PLACE	±	---	±	---					

M/N 74062-()	---0*	---1*	---2*	---3*	---4*	---5*	---6*	---7*	---8*	---9*
KEYING PIN ORIENTATION										

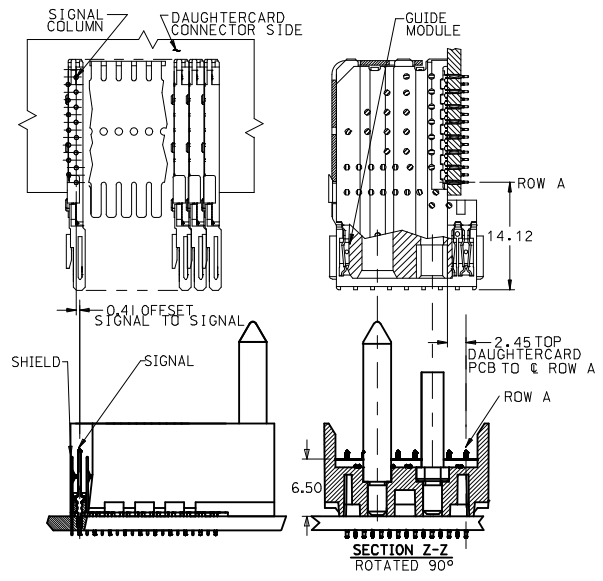
NO GUIDE PIN
NO KEYING PIN

74062 - * * * *

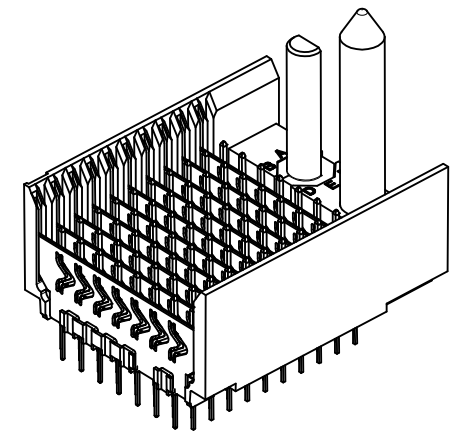
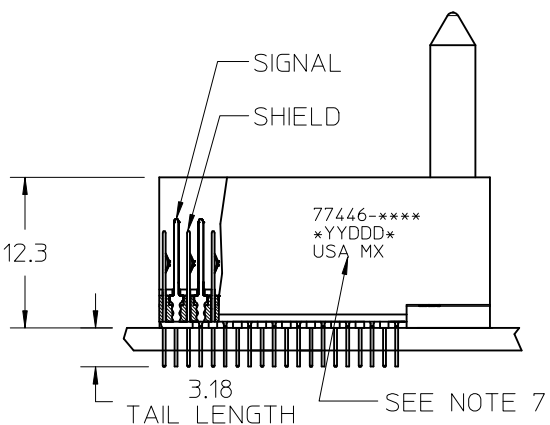
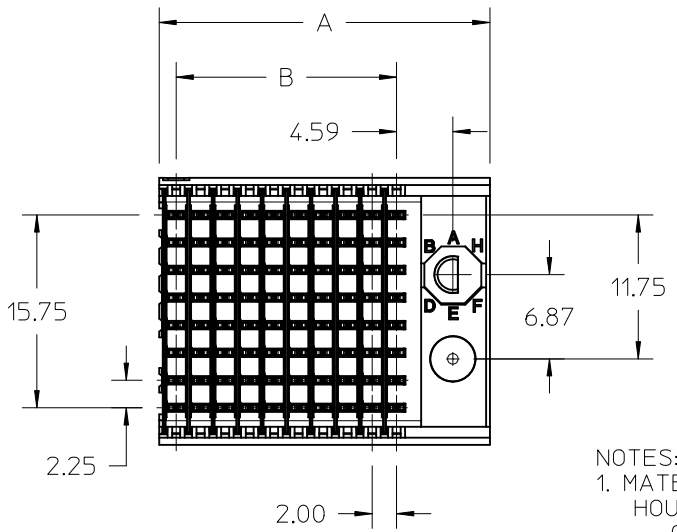
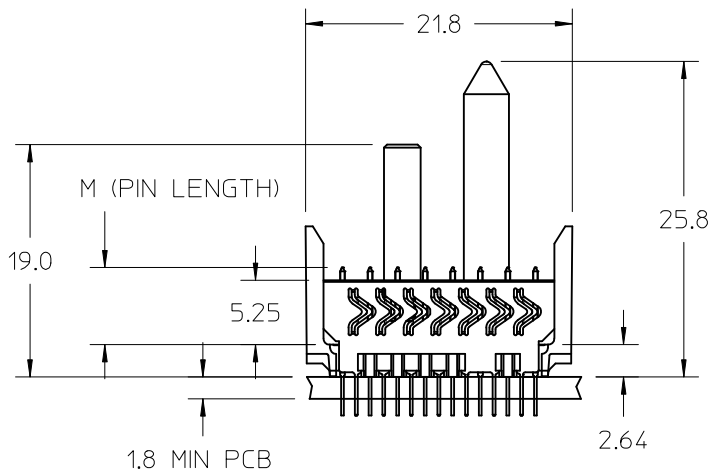
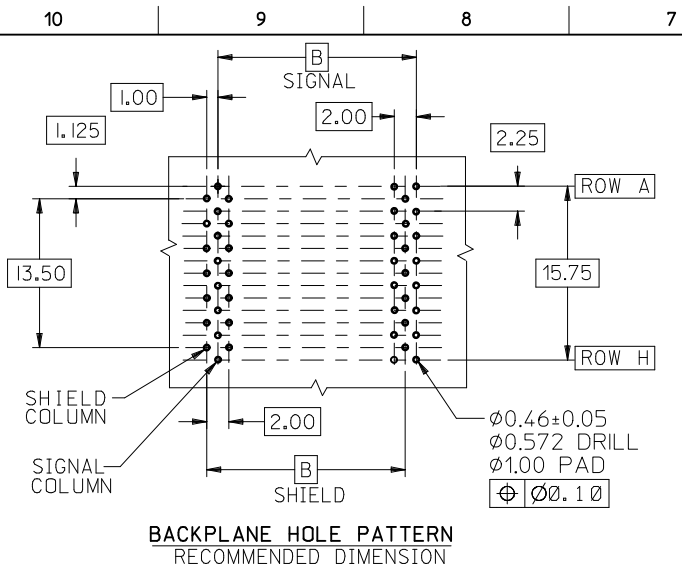
NUMBER OF COLUMNS/PLATING
 10 = 10 COLUMN MATTE TIN (FORMERLY TIN/LEAD)
 25 = 25 COLUMN MATTE TIN (FORMERLY TIN/LEAD)
 60 = 10 COLUMN MATTE TIN (MAPS)
 75 = 25 COLUMN MATTE TIN (MAPS)
 90 = 10 COLUMN MATTE TIN
 85 = 25 COLUMN MATTE TIN

PIN HEIGHT
 1 & 6 = 4.75
 2 & 7 = 6.25
 3 & 8 = 4.25
 4 & 9 = 5.15

PART NUMBER	COLUMN	NUMBER OF SIGNAL PIN	NUMBER OF SHIELD	A	B	M	GOLD THICKNESS MICROMETER	TIN THICKNESS MICROMETER
74062-60*1								
74062-*0*1	10	80	10	27.00	18.00	4.75	0.25 MAPS	0.76-1.52
74062-*0*6							0.76	
74062-75*1							1.27	
74062-*5*1	25	200	25	57.00	48.00	6.25	0.25 MAPS	
74062-*5*6							0.76	
74062-60*2							1.27	
74062-*0*2	10	80	10	27.00	18.00	4.25	0.25 MAPS	
74062-*0*7							0.76	
74062-75*2							1.27	
74062-*5*2	25	200	25	57.00	48.00	5.15	0.25 MAPS	
74062-*5*7							0.76	
74062-60*3							1.27	
74062-*0*3	10	80	10	27.00	18.00	4.75	0.25 MAPS	
74062-*0*8							0.76	
74062-75*3							1.27	
74062-*5*3	25	200	25	57.00	48.00	6.25	0.25 MAPS	
74062-*5*8							0.76	
74062-60*4							1.27	
74062-*0*4	10	80	10	27.00	18.00	5.15	0.25 MAPS	
74062-*0*9							0.76	
74062-75*4							1.27	
74062-*5*4	25	200	25	57.00	48.00	4.75	0.25 MAPS	
74062-*5*9							1.27	

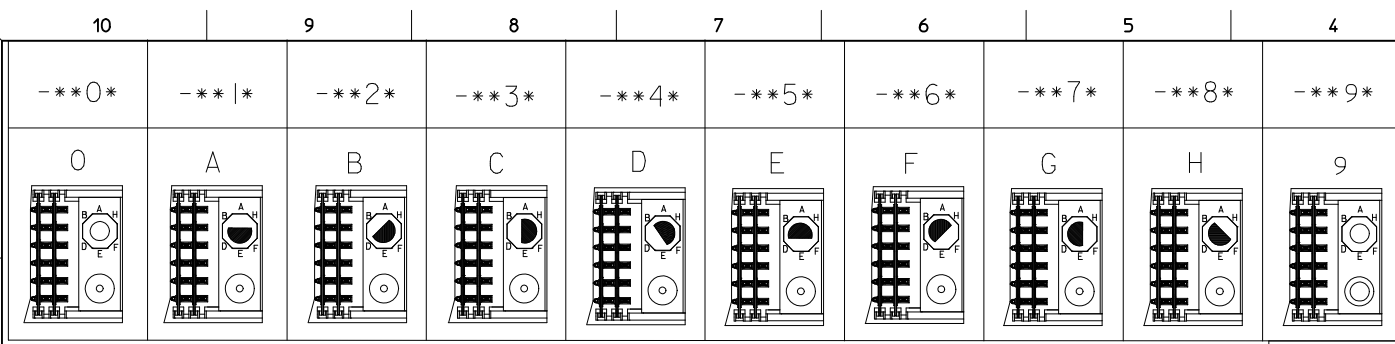


SEE SHEET 1 EC NO: UCP2013-0687 DRAWINGS 2012/08/23 CHKD:MMOLFE 2012/11/26 APPR:SMILLER 2012/12/14 REV:	QUALITY SYMBOLS	GENERAL TOLERANCES (UNLESS SPECIFIED)	DIMENSION STYLE MM ONLY	SCALE 2.5:1	DESIGN UNITS METRIC	THIRD ANGLE PROJECTION
	▽=0	mm INCH	DRAWN BY DATE MWANG 1998/11/12	VHDM 8 ROW SHIELD END BACKPLANE SALES ASSEMBLY molex DOCUMENT NO. SD-74062-002 SHEET NO. 2 OF 2		
	▽=0	4 PLACES ± --- ± ---	CHECKED BY DATE JLAURX 1998/11/12			
	▽=0	3 PLACES ± --- ± ---	APPROVED BY DATE CBIXLER 1998/11/12			
	▽=0	2 PLACES ± --- ± ---	MATERIAL NO.			
▽=0	1 PLACE ± --- ± ---	SEE TABLE				
	ANGULAR ±1/2°	DRAFT WHERE APPLICABLE MUST REMAIN WITHIN DIMENSIONS	SIZE C	THIS DRAWING CONTAINS INFORMATION THAT IS PROPRIETARY TO MOLEX. INCORPORATED AND SHOULD NOT BE USED WITHOUT WRITTEN PERMISSION		



- NOTES:
- MATERIALS:
HOUSING - LIQUID CRYSTAL POLYMER (LCP),
GLASS-FILLED, UL 94V-0, COLOR: BLACK
SIGNAL PIN & SHIELD - COPPER ALLOY
 - FINISHES: CONTACT AREA: SELECTIVE GOLD (Au)
0.25 OR 0.76 MICROMETERS MINIMUM
PCB TAILS: SELECTIVE MATTE TIN (Sn)
2.54 MICROMETERS MINIMUM; NICKEL (Ni) OVERALL.
 - THIS PART CONFORMS TO MOLEX PRODUCT SPECIFICATION PS-74031-999
 - FOR MIXED CONTACT LENGTHS CONSULT MOLEX FOR AVAILABILITY
 - FOR SPECIFIC MATERIAL NUMBERS & MATING INFORMATION REFER TO SHEET 2
 - PACKAGE PER PK-74061-003
 - MARK PART WITH PART NUMBER & DATE CODE APPROXIMATELY WHERE SHOWN
 - THIS PART CONFORMS TO CLASS "B" REQUIREMENTS OF MOLEX COSMETIC SPECIFICATION PS-45499-002.
 - MAPS (MOLEX ADVANCED PLATING SYSTEM)

CHG TABLE EC NO: UCP2012-4000 DRWN: MWOLFE 2012/06/05 CHKD: MORGAN 2012/06/05 APPR: SMILLER 2012/06/07	QUALITY SYMBOLS $\nabla = 0$ $\nabla = 0$ $\nabla = 0$	GENERAL TOLERANCES (UNLESS SPECIFIED)		DIMENSION STYLE		SCALE	DESIGN UNITS	THIRD ANGLE PROJECTION			
				MM ONLY		2.5:1	METRIC				
				mm	INCH	DRAWN BY	DATE	TITLE			
				ANGULAR $\pm 1/2^\circ$		DRAWN BY		VHDM 8 ROW SHIELD END			
B REV	DESCRIPTION	DRAFT WHERE APPLICABLE MUST REMAIN WITHIN DIMENSIONS		MATERIAL NO.		DOCUMENT NO.		SHEET NO.			
				SEE TABLE		SD-77446-001		1 OF 2			
				SIZE B		THIS DRAWING CONTAINS INFORMATION THAT IS PROPRIETARY TO MOLEX INCORPORATED AND SHOULD NOT BE USED WITHOUT WRITTEN PERMISSION					



MATERIAL NUMBER ASSIGNMENT

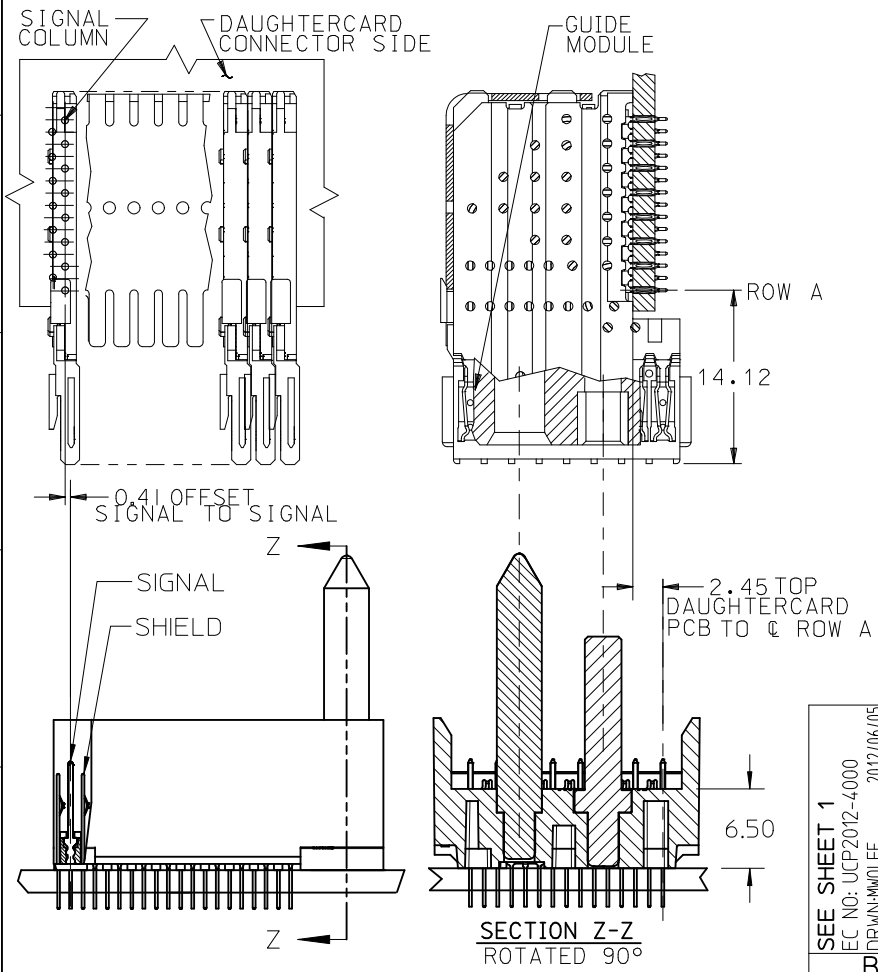
KEY ORIENTATION

NO GUIDE PIN
NO KEYING PIN

77446-****

NUMBER OF COLUMNS/PLATING
 70 = 10 COLUMN MATTE TIN 0.25µm GOLD
 75 = 25 COLUMN MATTE TIN 0.25µm GOLD
 90 = 10 COLUMN MATTE TIN 0.76µm GOLD
 85 = 25 COLUMN MATTE TIN 0.76µm GOLD

PIN HEIGHT
 1 = 4.75
 2 = 6.25
 3 = 4.25
 4 = 5.15



PART NUMBER	PIN LENGTH (M)	COLUMN	NUMBER OF SIGNALS	NUMBER OF SHIELDS	A	B	GOLD (µm) THICKNESS
77446-70**	LAST *	10	60	10	20.00	18.00	0.25 MAPS (SEE NOTE 9)
77446-75**	* = 1 - 4 1 = 4.75	25	150	25	50.00	48.00	
77446-90**	2 = 6.25 3 = 4.25	10	60	10	20.00	18.00	0.76
77446-85**	4 = 5.15	25	150	25	50.00	48.00	

SEE SHEET 1 EC NO: UCP2012-4000 DRAWN: MWOLFE 2012/06/05 CHKD: DMORGAN 2012/06/05 APPR: SMILLER 2012/06/07 B	QUALITY SYMBOLS $\nabla/0$ $\nabla/0$ $\nabla/0$	GENERAL TOLERANCES (UNLESS SPECIFIED) mm INCH 4 PLACES ± --- ± --- 3 PLACES ± --- ± --- 2 PLACES ± 0.25 ± --- 1 PLACE ± 0.38 ± --- 0 PLACE ± --- ± --- ANGULAR ± 1/2° DRAFT WHERE APPLICABLE MUST REMAIN WITHIN DIMENSIONS	DIMENSION STYLE MM ONLY DRAWN BY DATE MWOLFE 2012/04/24 CHECKED BY DATE SDANNELLEY 2012/04/24 APPROVED BY DATE SMILLER 2012/04/27	SCALE 2.5:1 DESIGN UNITS METRIC THIRD ANGLE PROJECTION	TITLE VHDM 8 ROW SHIELD END SOLDER TAIL BACKPLANE SALES DRAWING molex	MATERIAL NO. SEE TABLE	DOCUMENT NO. SD-77446-001	SHEET NO. 2 OF 2
	THIS DRAWING CONTAINS INFORMATION THAT IS PROPRIETARY TO MOLEX INCORPORATED AND SHOULD NOT BE USED WITHOUT WRITTEN PERMISSION							