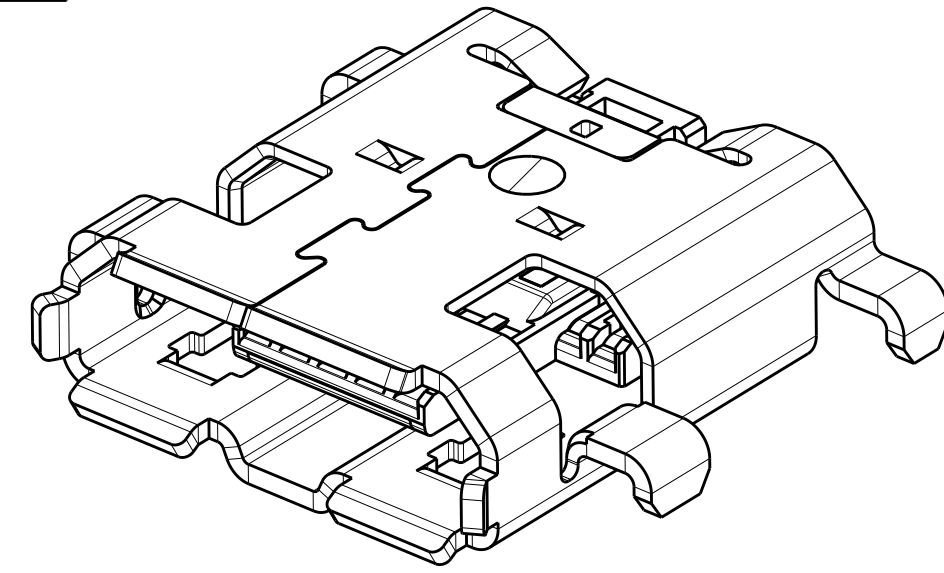
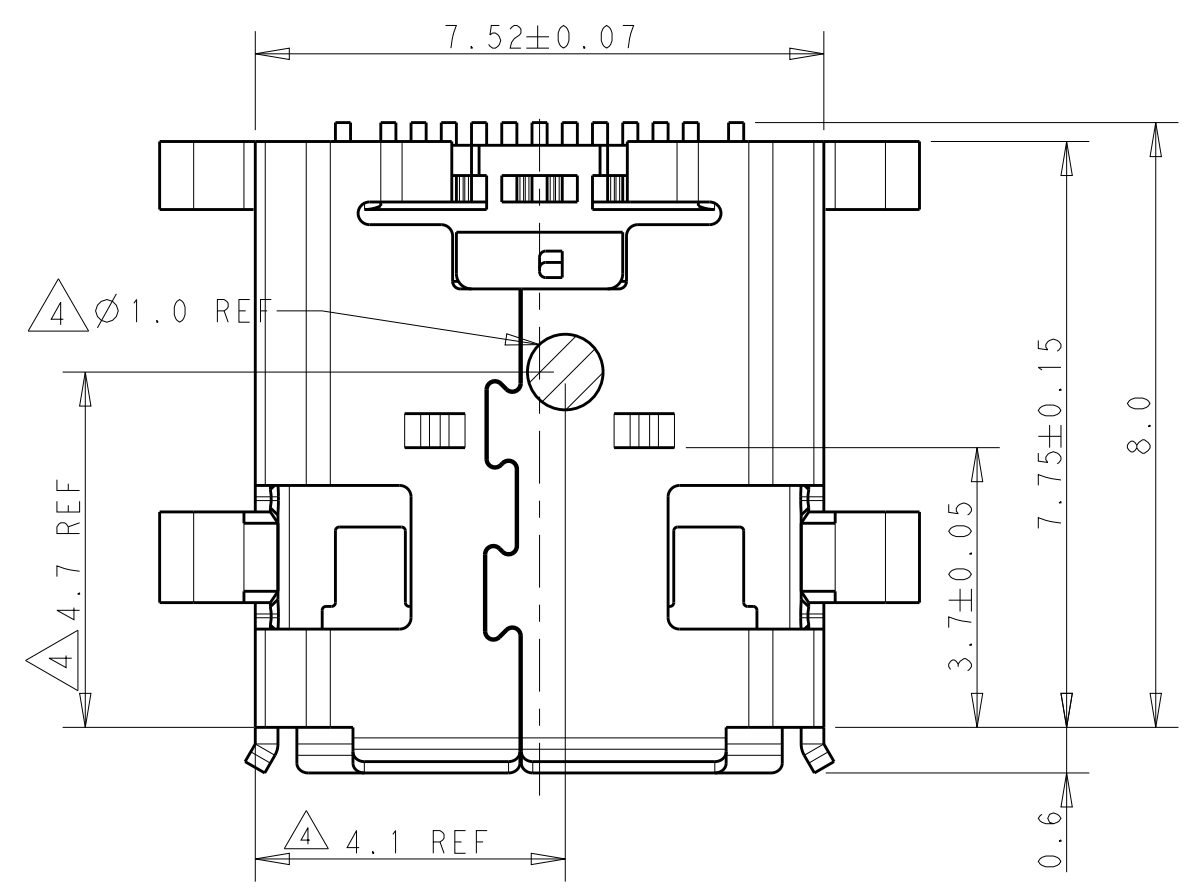


THIS DRAWING IS UNPUBLISHED. RELEASED FOR PUBLICATION 20
 BY - ALL RIGHTS RESERVED.

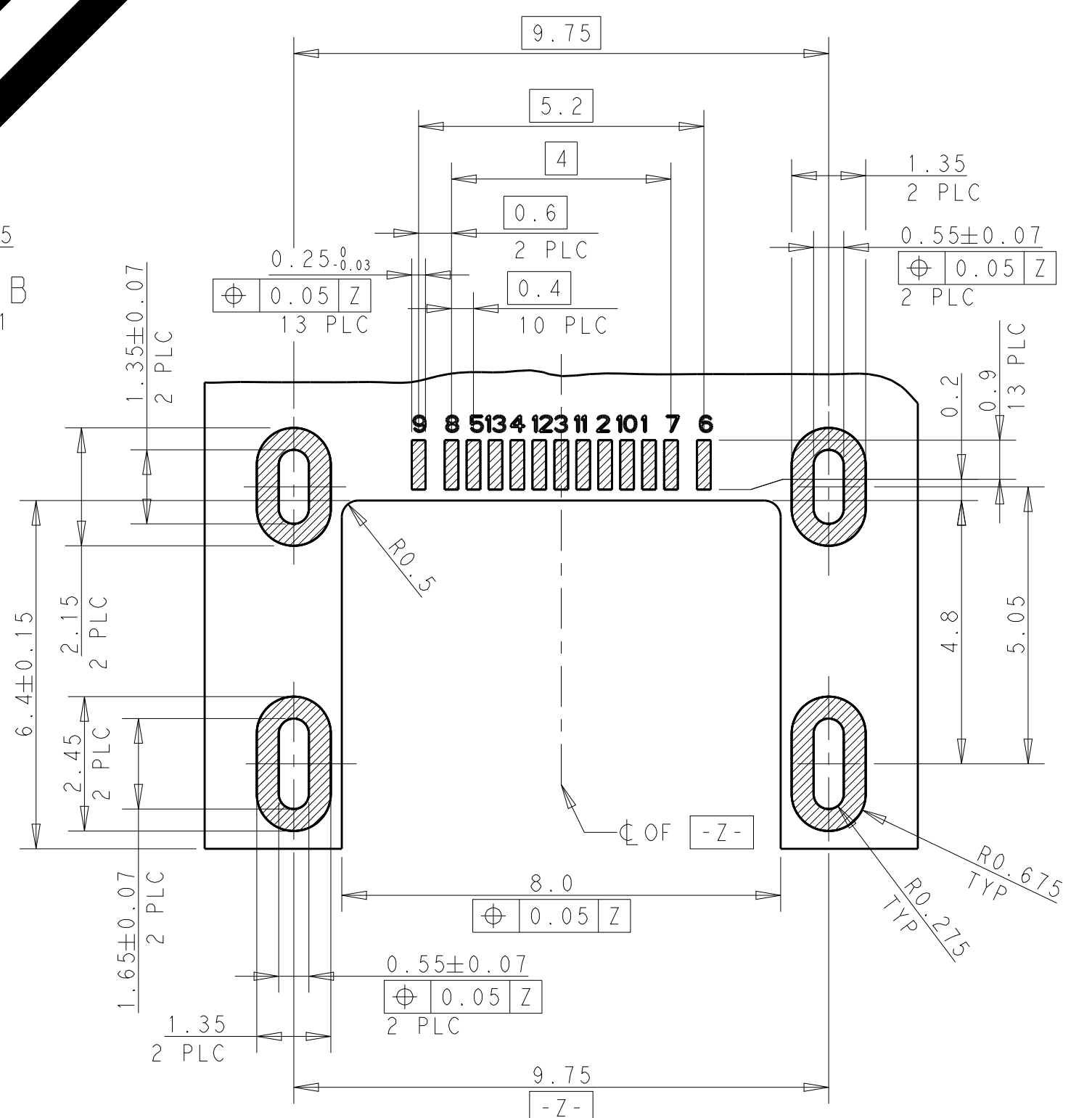
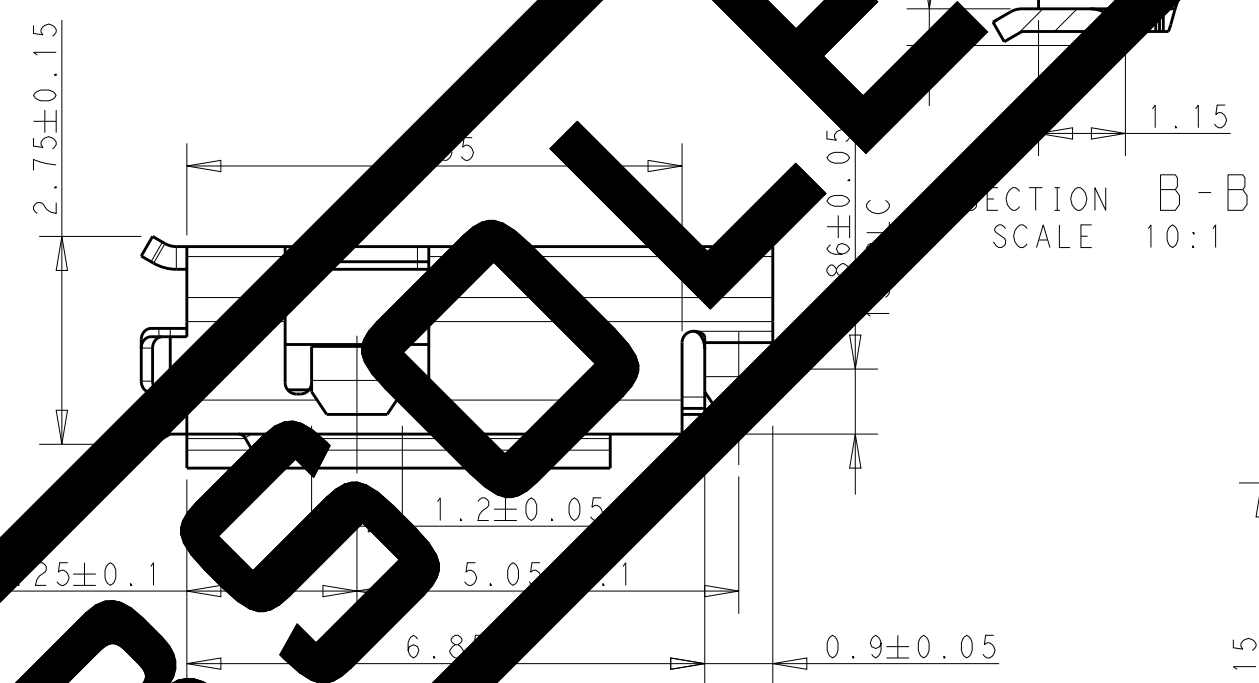
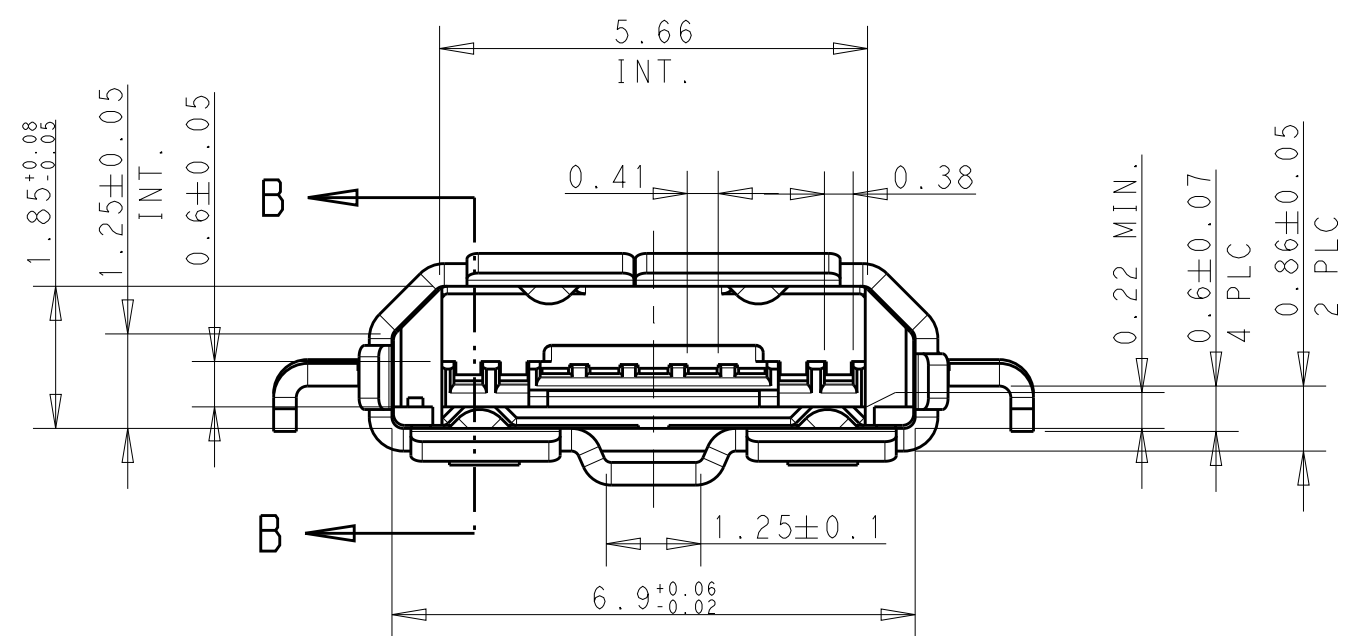
LOC		DIST		REVISIONS			
P	LTR	DESCRIPTION	DATE	DWN	APVD		
ES	00						
	A	OBSOLETE PN PER ECR-15-013671	17SEP2015	B.L	J.L		



2199238-1; AS SHOWN

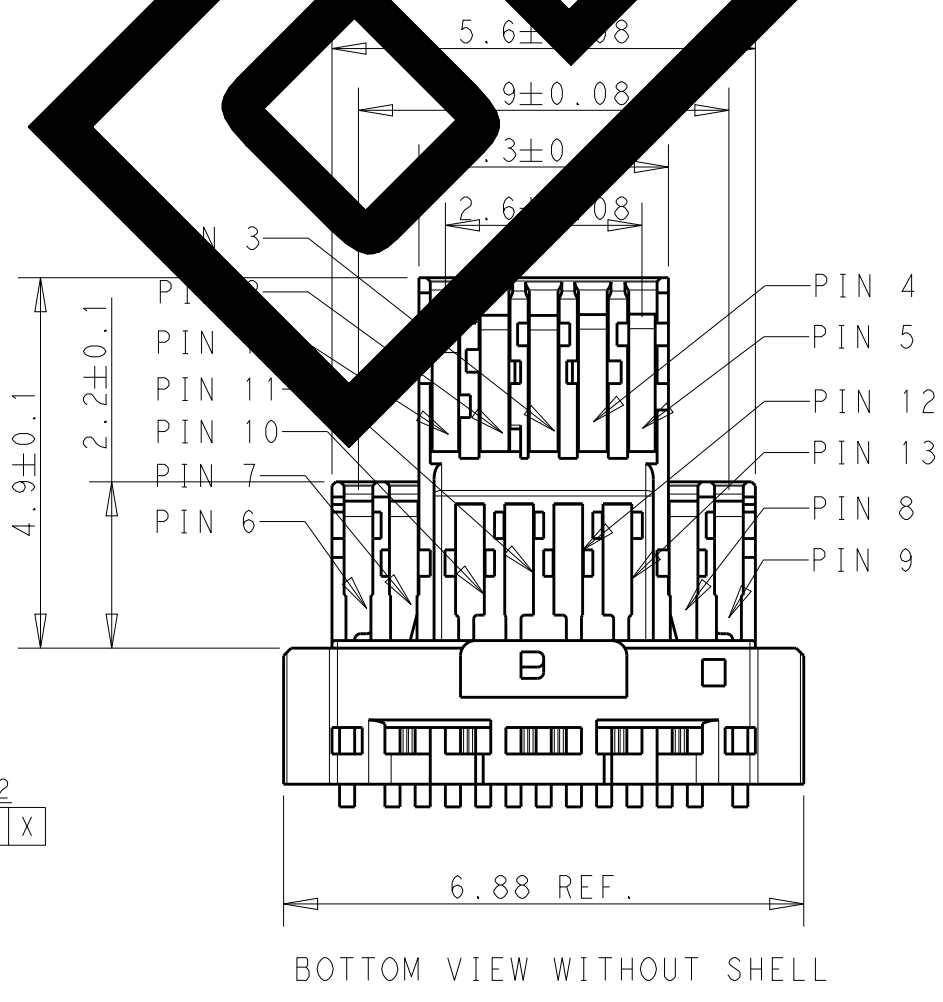
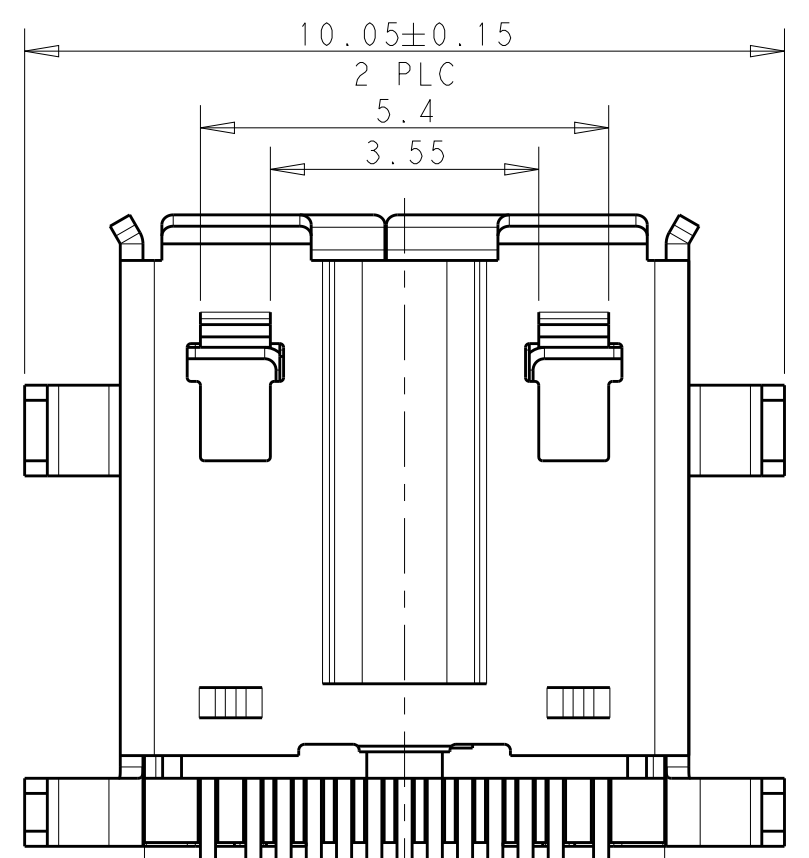
MATERIAL:
 CONTACT: COPPER ALLOY, THICKNESS 0.15±0.05.
 HOUSING: UL 94V-0, THERMOPLASTIC, COLOR: BLACK
 SHELL: STAINLESS STEEL, 0.30±0.05.

FINISH:
 CONTACT: GOLD PLATING ON CONTACT SURFACE AND GOLD FLASH SOLDER TINE SURFACE ALL OVER NICKEL UNDER PLATING.
 SOLDER TINE SURFACE ALL OVER NICKEL UNDER PLATING.
 SELL: 0.75um ALL OVER TIN PLATING
 0.025um ALL OVER NICKEL UNDER PLATING
 COMPLANANCY: 0.08 MAX.
 PICK UP AND PLACE AREA
 RECOMMEND COPPER FOIL THICKNESS: 1 OZ (0.035MM).
 TRACE WIDTH: PIN 1 AND 5: 1MM.



PIN DEFINITION

PIN NO.	SIGNAL NAME	USE CASE
PIN 13	CONTROL-4	
PIN 12	CONTROL-3	
PIN 11	CONTROL-2	
PIN 10	CONTROL-1	
PIN 9	S+dA_SSTX+	
PIN 8	S+dA_SSTX-	
PIN 7	S+dA_SSRX+	
PIN 6	S+dA_SSRX-	
PIN 5	GND-uUSB	
PIN 4	ID	
PIN 3	D+	
PIN 2	D-	
PIN 1	VBUS	



BOTTOM VIEW WITHOUT SHELL

RECOMMENDED PWB LAYOUT VIEWED FROM CONNECTOR MOUNT SIDE
 GENERAL TOLERANCE: ±0.05

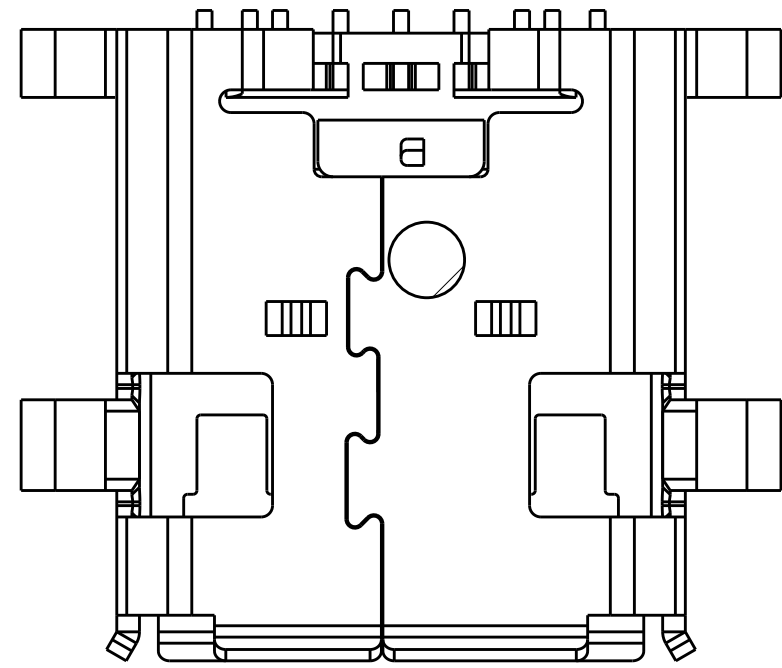
THIS DRAWING IS A CONTROLLED DOCUMENT.

DIMENSIONS: mm	TOLERANCES UNLESS OTHERWISE SPECIFIED: 0 PLC ±0.15 1 PLC ±0.1 2 PLC ±0.05 3 PLC ±0.05 4 PLC ± ANGLES ±3° FINISH	DWN Tony Zhang 28JAN2013 CHK Xu Xiang 28JAN2013 APVD Steven Yao 28JAN2013 PRODUCT SPEC 108-115055 APPLICATION SPEC - WEIGHT - Customer Drawing	NAME MULTI I/O 5+4+4 REVERSE 0.86MM OFFSET RECEPTACLE FLANGE TYPE SIZE A2 CAGE CODE 00779 DRAWING NO C-2199238 RESTRICTED TO - SCALE 10:1 SHEET 1 OF 3 REV A
----------------	--	--	---

STE TE Connectivity

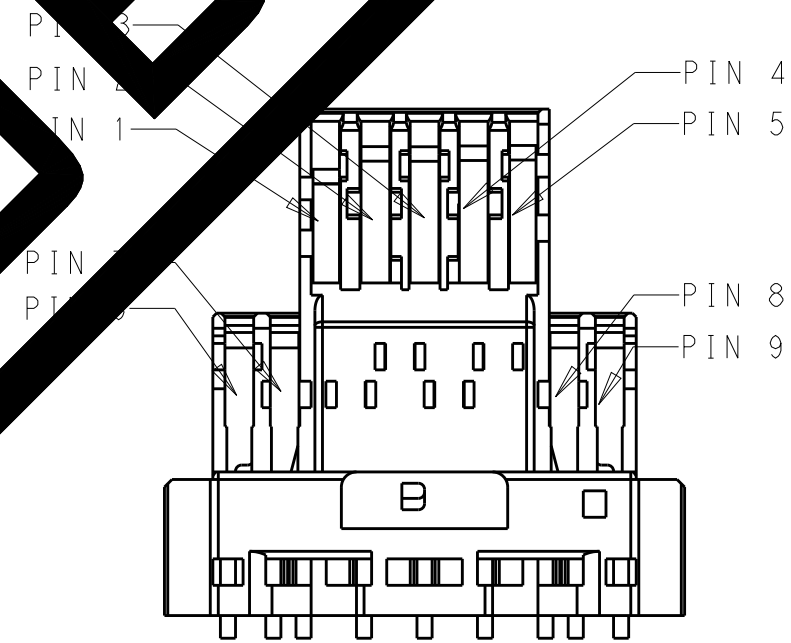
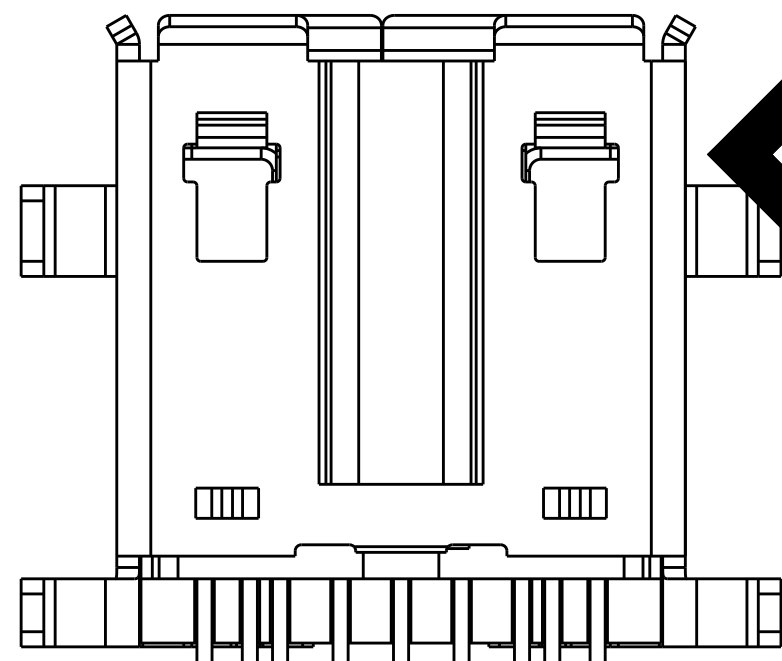
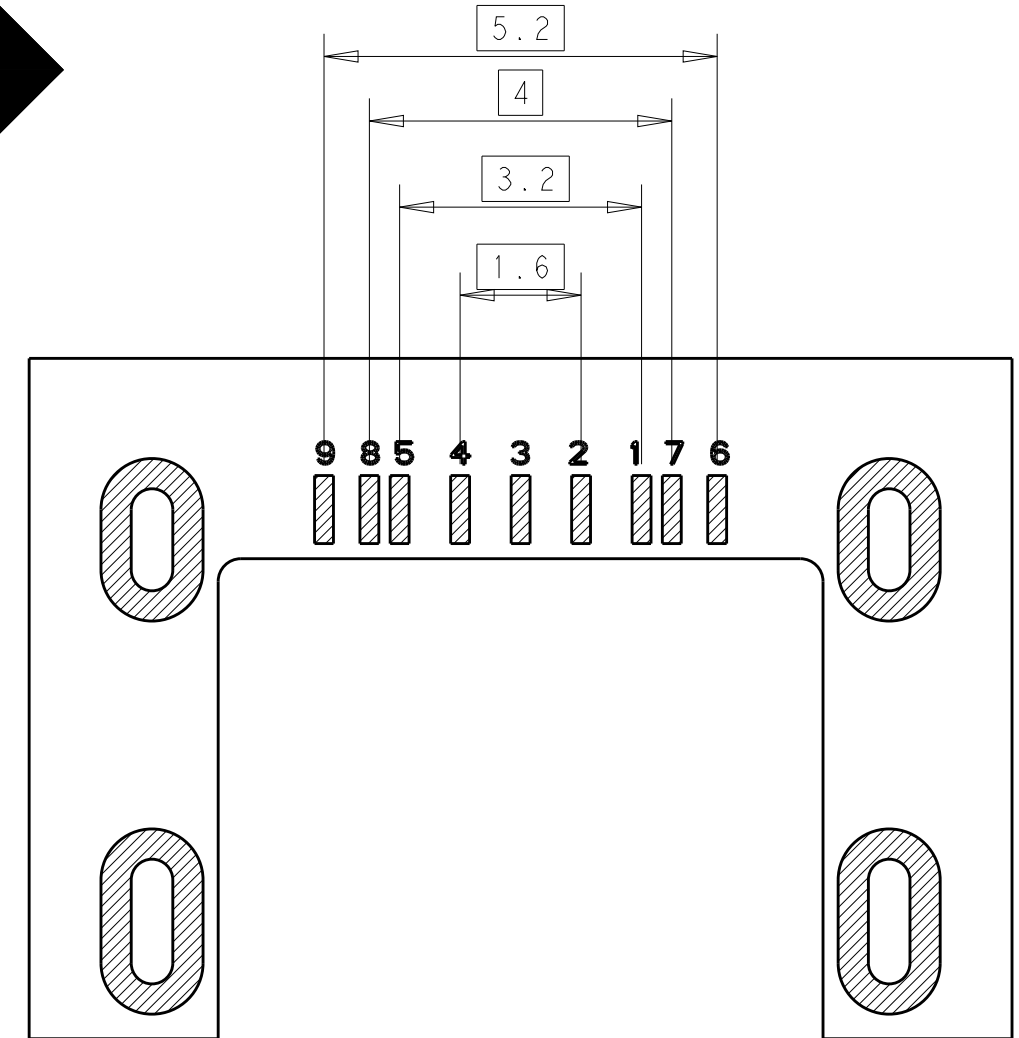
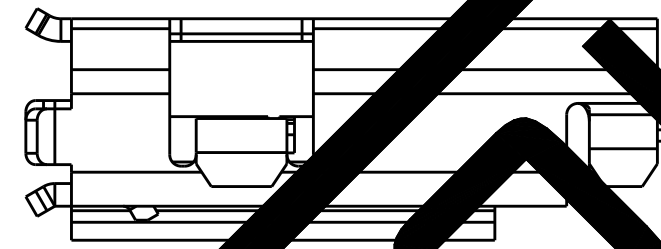
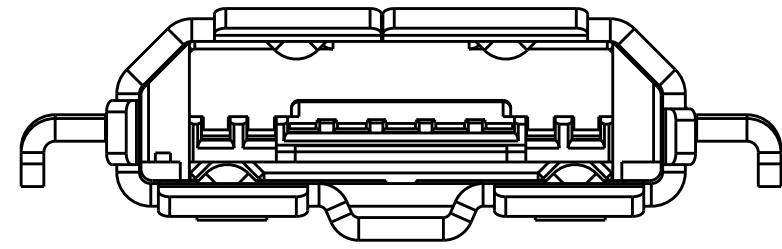
THIS DRAWING IS UNPUBLISHED. RELEASED FOR PUBLICATION 20
 © COPYRIGHT 20 BY - ALL RIGHTS RESERVED.

LOC	DIST	REVISIONS					
ES	00	P	LTR	DESCRIPTION	DATE	DWN	APVD
		-		SEE SHEET 1			



1-2199238-1; AS SHOWN

NOTE:
OTHER ITEMS AND DIMENSIONS, PLEASE REFER TO SHEET 1.



BOTTOM VIEW WITHOUT SHELL

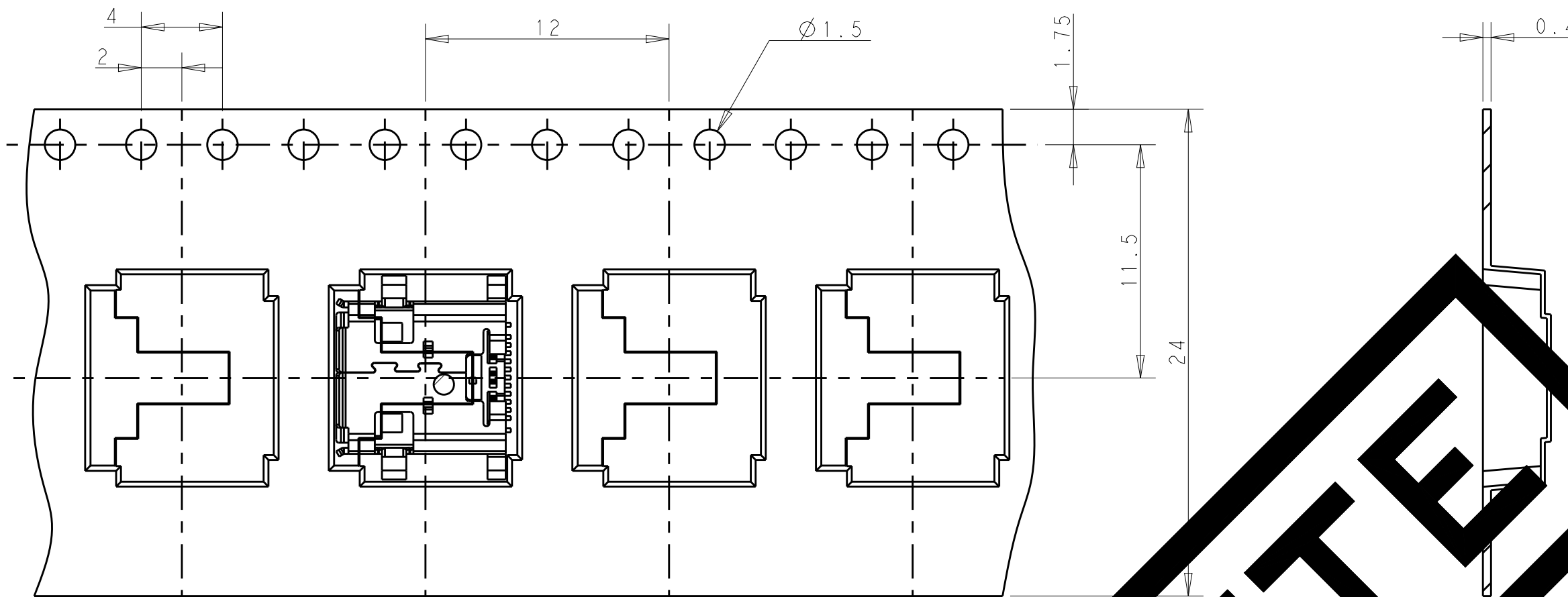
RECOMMENDED PWB LAYOUT
 VIEWED FROM CONNECTOR MOUNT SIDE
 GENERAL TOLERANCE: ±0.05

OBSOLETE

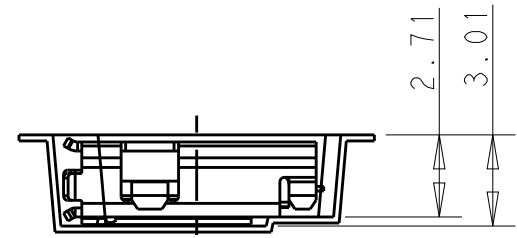
THIS DRAWING IS A CONTROLLED DOCUMENT.		DWN 28JAN2013 Tony Zhang	STE TE Connectivity
DIMENSIONS: mm		CHK 28JAN2013 Xu Xiang	
TOLERANCES UNLESS OTHERWISE SPECIFIED:		APVD 28JAN2013 Steven Yao	NAME MULTI I/O 5+4+4 REVERSE 0.86MM OFFSET RECEPTACLE FLANGE TYPE
0 PLC ±		PRODUCT SPEC 108-115055	SIZE CAGE CODE DRAWING NO
1 PLC ±0.15		APPLICATION SPEC	RESTRICTED TO
2 PLC ±0.1		WEIGHT	A200779 C-2199238
3 PLC ±0.05		Customer Drawing	SCALE 10:1 SHEET 2 OF 3 REV A
4 PLC ±			
ANGLES ±3°			
FINISH			

THIS DRAWING IS UNPUBLISHED. RELEASED FOR PUBLICATION 20
 © COPYRIGHT 20 BY - ALL RIGHTS RESERVED.

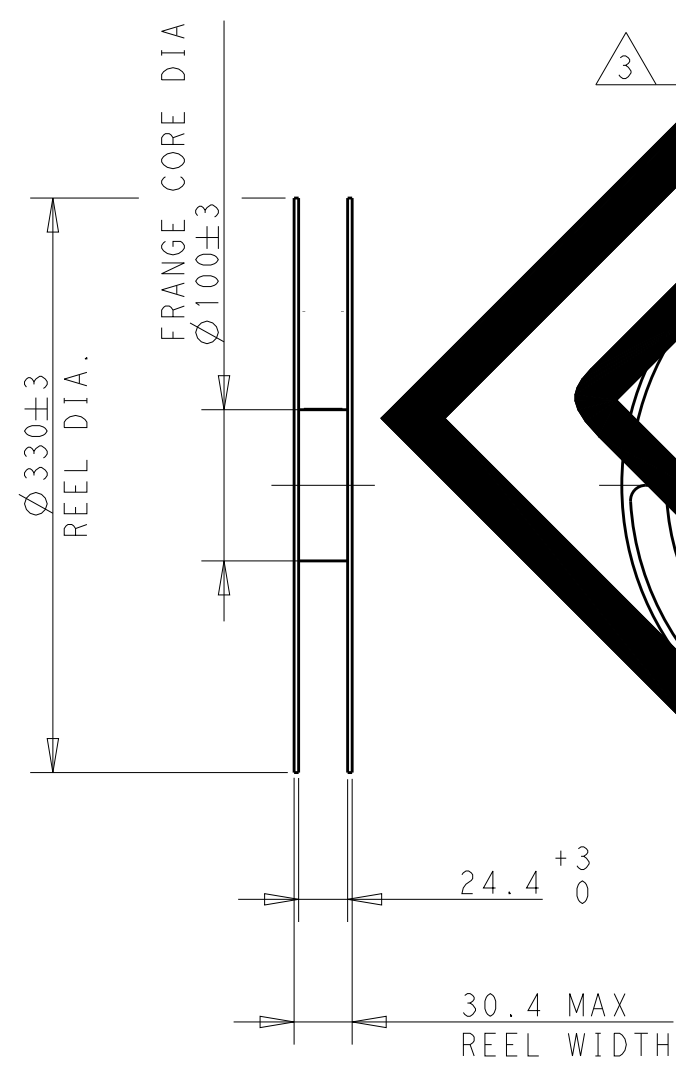
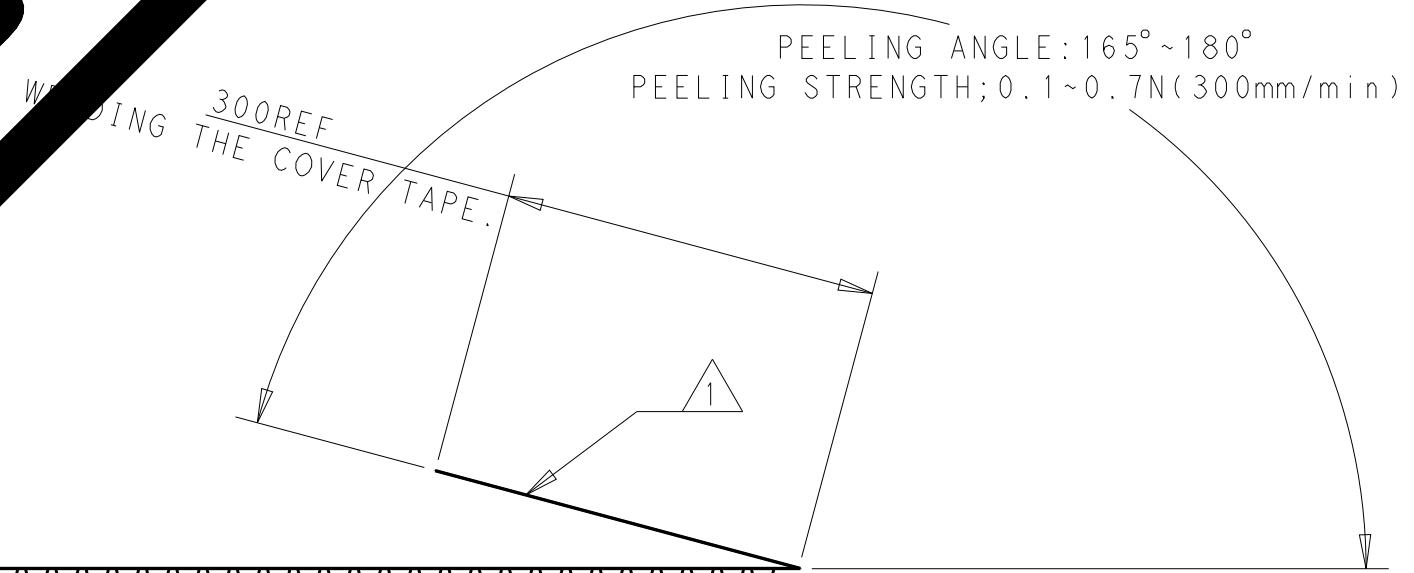
LOC	DIST	REVISIONS			
P	LTR	DESCRIPTION	DATE	DWN	APVD
ES	00	SEE SHEET 1	-	-	-



USER UNREELING DIRECTION →



ABSOLUTE



WITHOUT CHARGE 300MM REF.

WITH PRODUCT CHARGE 1000 PCS/1REEL

WITHOUT CHARGE 300mm REF.

UNREELING DIRECTION →

NO.	DESCRIPTION
1	COVER TAPE
2	EMBOSS TAPE
3	REEL

THIS DRAWING IS A CONTROLLED DOCUMENT.		DWN Tony Zhang 28JAN2013	STE TE Connectivity	
DIMENSIONS: mm		CHK Xu Xiang 28JAN2013		
TOLERANCES UNLESS OTHERWISE SPECIFIED:		APVD Steven Yao 28JAN2013	NAME MULTI I/O 5+4+4 REVERSE 0.86MM OFFSET RECEPTACLE FLANGE TYPE	
0 PLC ±		PRODUCT SPEC 108-115055	SIZE CAGE CODE DRAWING NO RESTRICTED TO	
1 PLC ±0.15		APPLICATION SPEC	A200779 C-2199238	
2 PLC ±0.1		WEIGHT	SCALE 10:1 SHEET 3 OF 3 REV A	
3 PLC ±0.05		Customer Drawing		
4 PLC ±				
ANGLES ±3°				
FINISH				