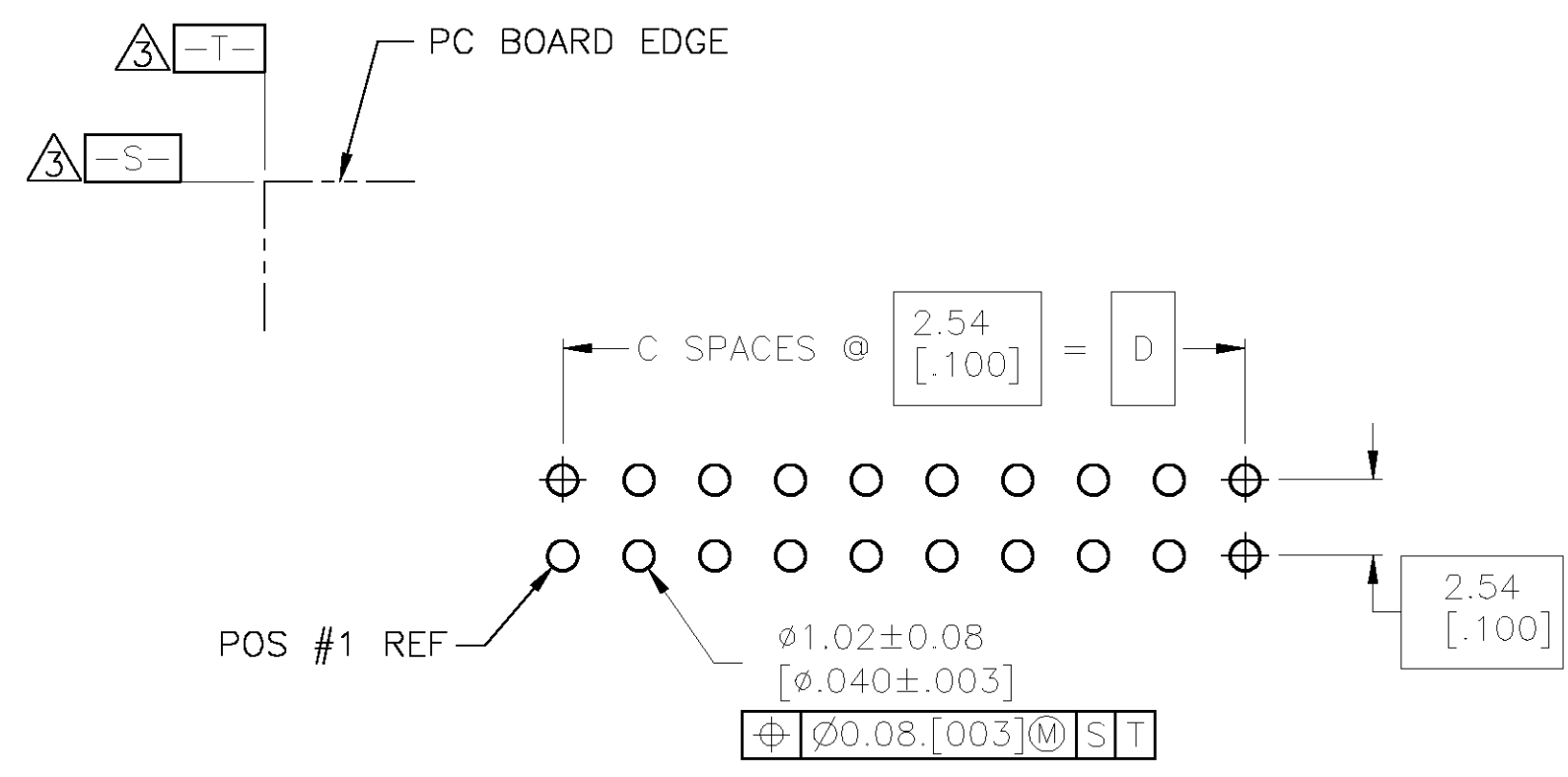
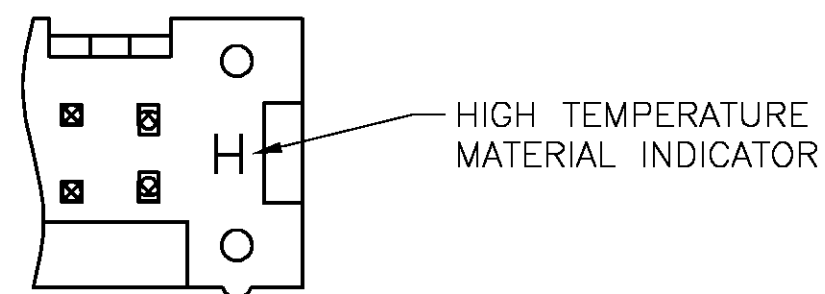
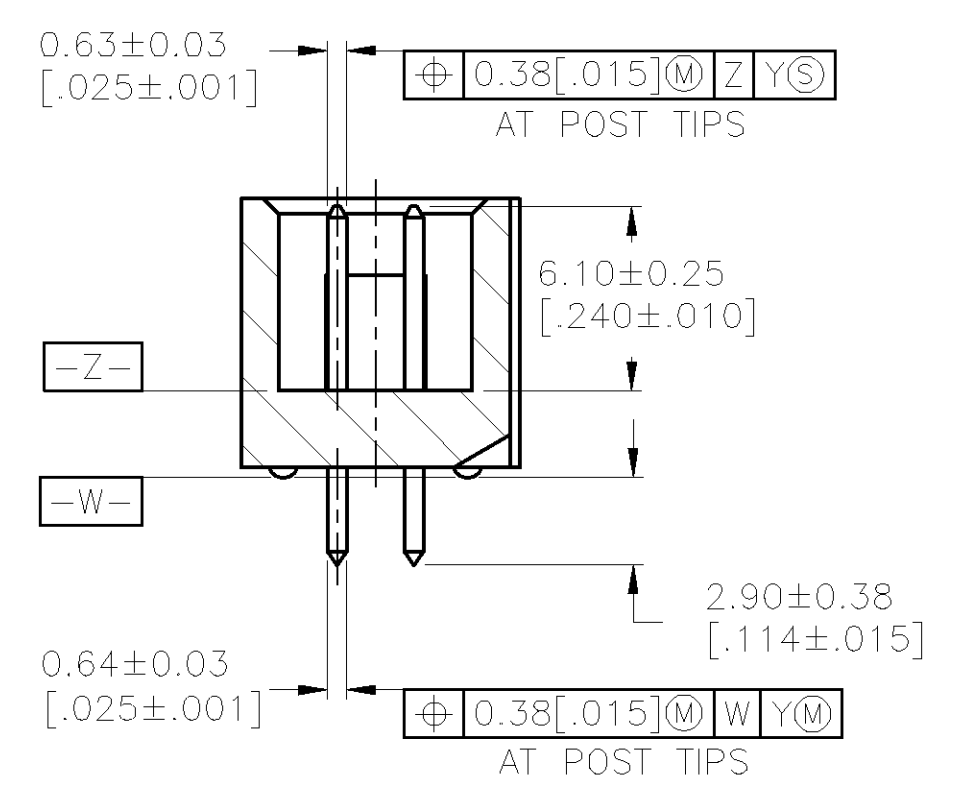
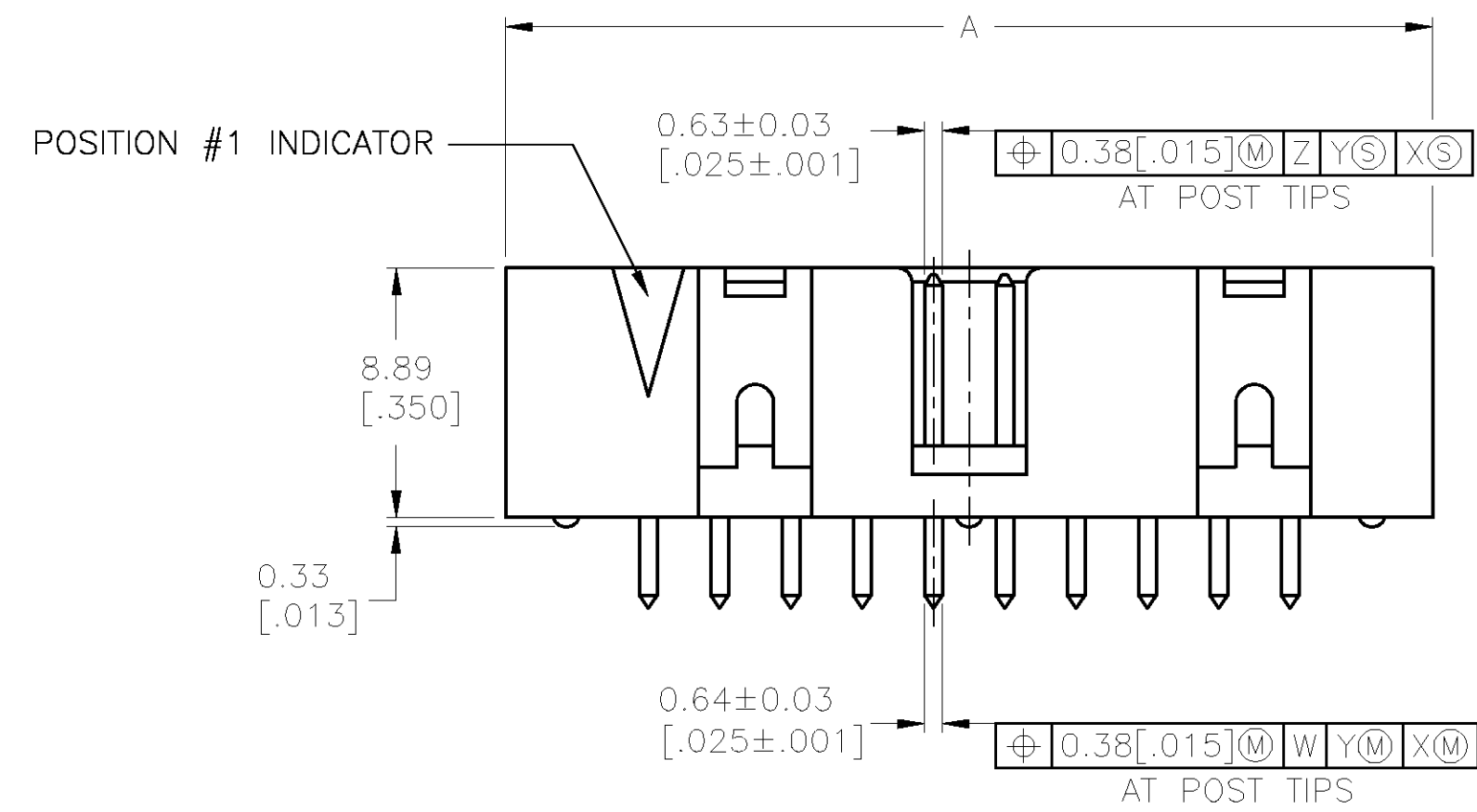


- △ HOUSING: PCT, UL94V-0, COLOR BLACK.
- △ POSTS: PHOSPHOR BRONZE.
- △ POSTS: 0.00038[.000015] MIN GOLD ON MATING AREA, 0.00254[.000100] MIN TIN ON SOLDER END, ALL OVER 0.00127[.000050] MIN NICKEL ON ENTIRE POST.
- △ DATUMS S & T TO BE ESTABLISHED BY CUSTOMER.
- △ NO KEYING SLOT ON THIS END FOR 6, 8, 10 & 14 POSITION ASSEMBLIES.
- △ NO KEYING SLOT ON THIS END FOR 6, 8 & 10 POSITION ASSEMBLIES.



RECOMMENDED PC BOARD LAYOUT
(VIEWED FROM CONNECTOR SIDE)

78.74 [3.100]	31	86.36 [3.400]	88.90 [3.500]	64	1-1761681-7
73.66 [2.900]	29	81.28 [3.200]	83.82 [3.300]	60	1-1761681-6
60.96 [2.400]	24	68.58 [2.700]	71.12 [2.800]	50	1-1761681-5
48.26 [1.900]	19	55.88 [2.200]	58.42 [2.300]	40	1-1761681-3
40.64 [1.600]	16	48.26 [1.900]	50.80 [2.000]	34	1-1761681-1
30.48 [1.200]	12	38.10 [1.500]	40.64 [1.600]	26	1761681-9
27.94 [1.100]	11	35.56 [1.400]	38.10 [1.500]	24	1761681-8
22.86 [.900]	9	30.48 [1.200]	33.02 [1.300]	20	1761681-7
17.78 [.700]	7	25.40 [1.000]	27.94 [1.100]	16	1761681-6
15.24 [.600]	6	22.86 [.900]	25.40 [1.000]	14	1761681-5
10.16 [.400]	4	17.78 [.700]	20.32 [.800]	10	1761681-3
7.62 [.300]	3	15.24 [.600]	17.78 [.700]	8	1761681-2
5.08 [.200]	2	12.70 [.500]	15.24 [.600]	6	1761681-1
D	C	B	A	NO OF POS	PART NUMBER

**COPYRIGHT 2005
 TYCO ELECTRONICS CORP
 ALL RIGHTS RESERVED**

THIS DRAWING IS A CONTROLLED DOCUMENT.		DIN J GERACE 09MAR05		Tyco Electronics Corporation Harrisburg, Pa 17105	
DIMENSIONS: MM(INCHES)		TOLERANCES UNLESS OTHERWISE SPECIFIED:		APVD M WALMSLEY 09MAR05	
0 PLC	± .005	1 PLC	± .005	NAME: HEADER ASSEMBLY, VERTICAL, LOW PROFILE, IDC	
2 PLC	± .005	3 PLC	± .005	PRODUCT SPEC: -	
4 PLC	± .005	ANGLES	± .1°(.005)	APPLICATION SPEC: -	
MATERIAL	△	FINISH	△	SIZE	A1
CUSTOMER DRAWING		WEIGHT	-	CAGE CODE	00779
		DRAWING NO	1761681	DRAWING NO	1761681
		SCALE	4:1	SHEET	1 OF 1
		REV	0		