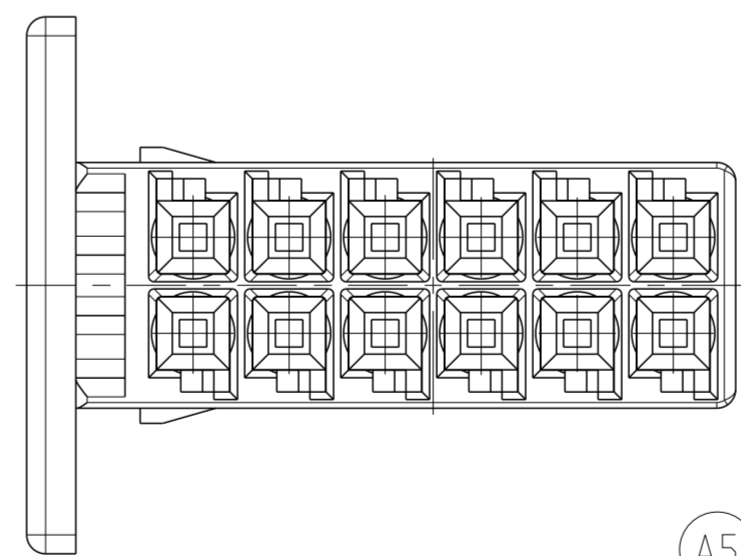
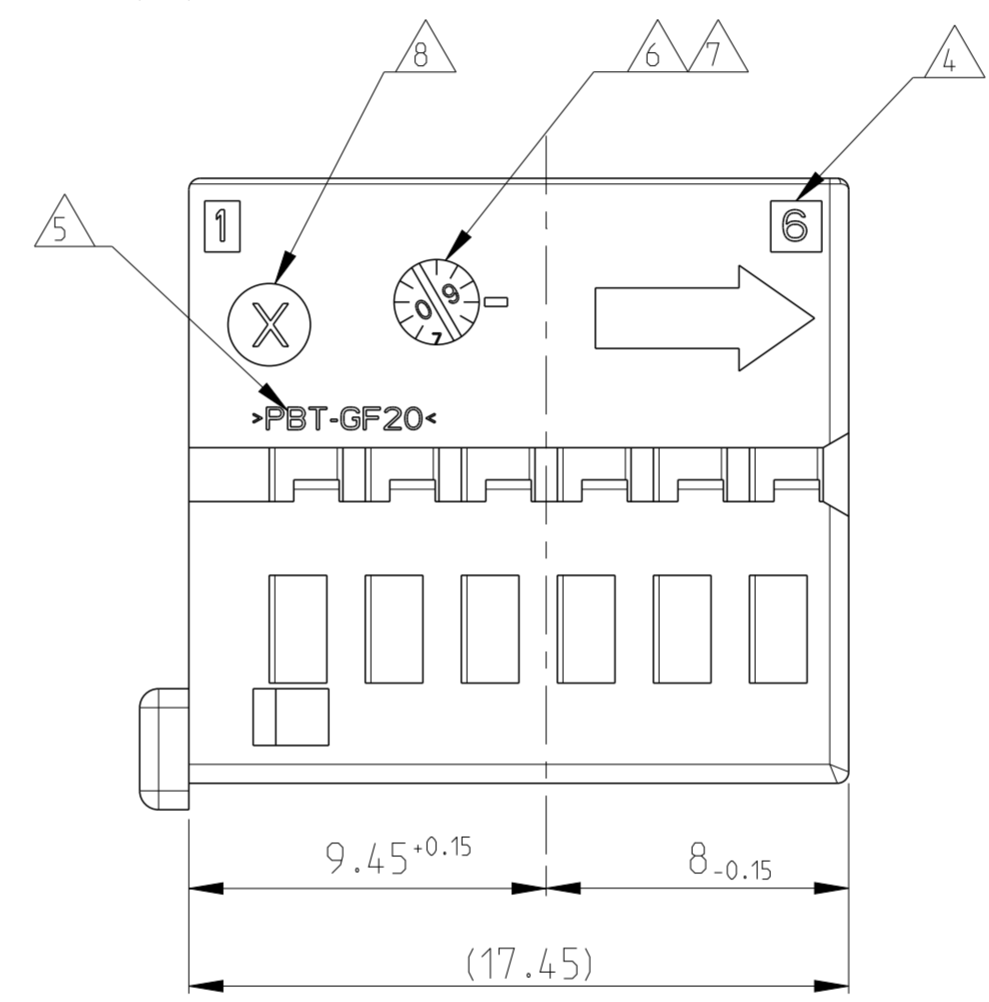
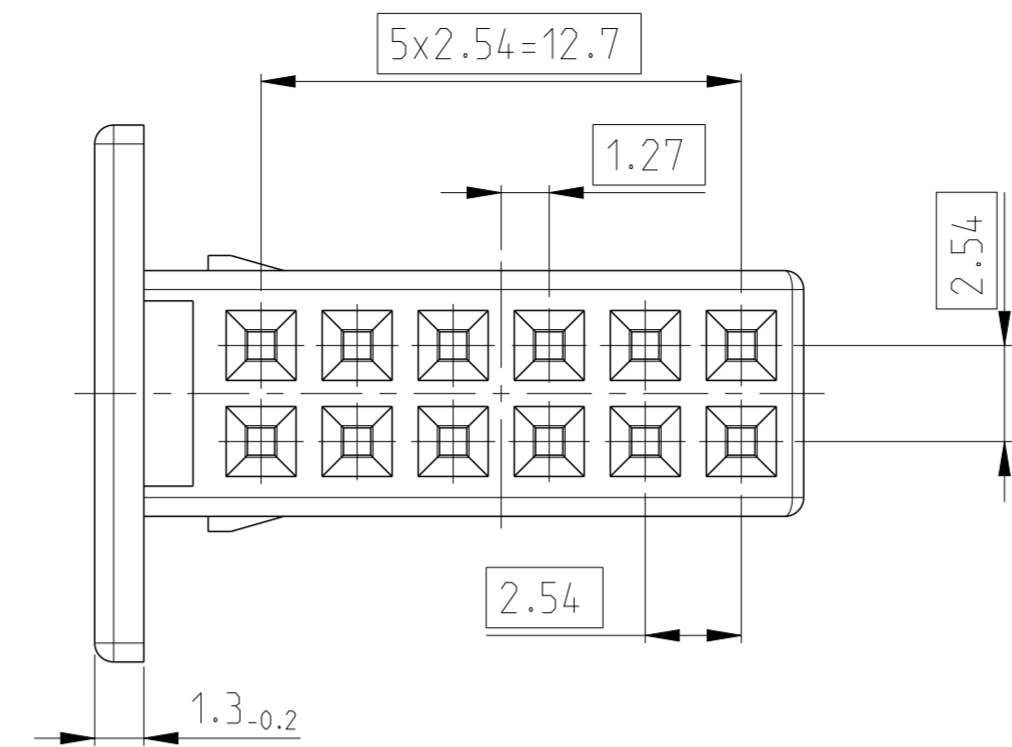
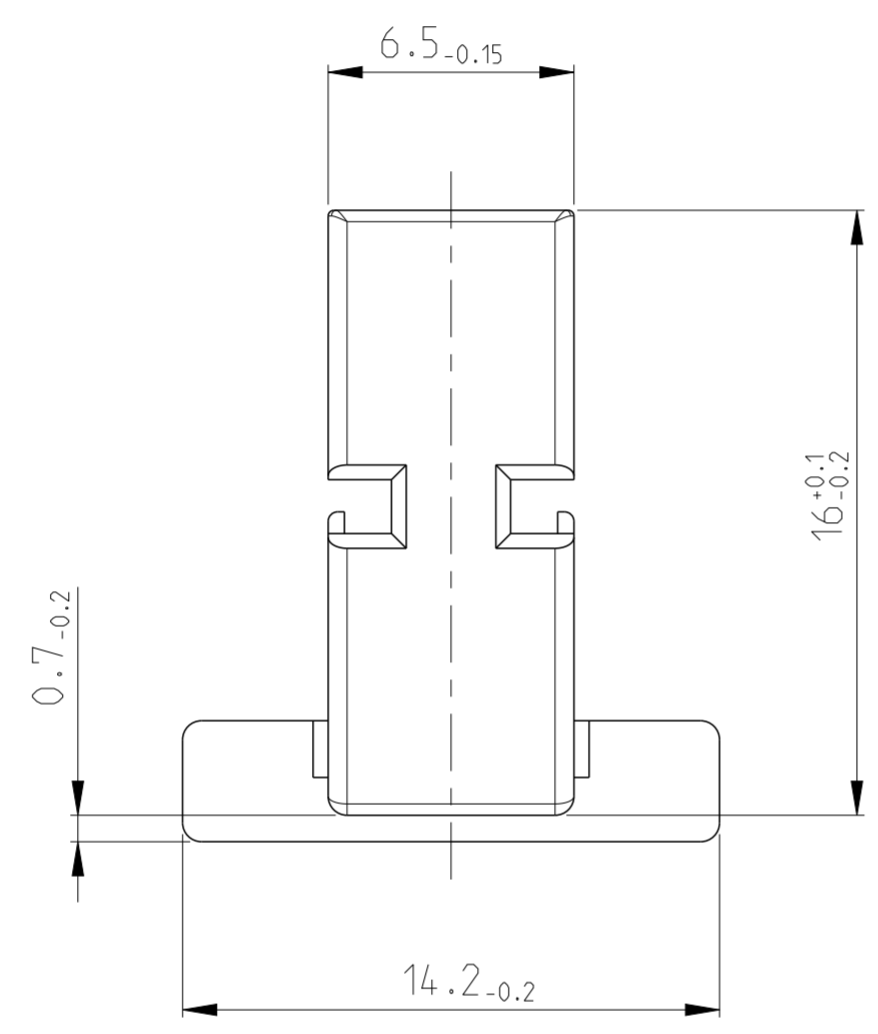
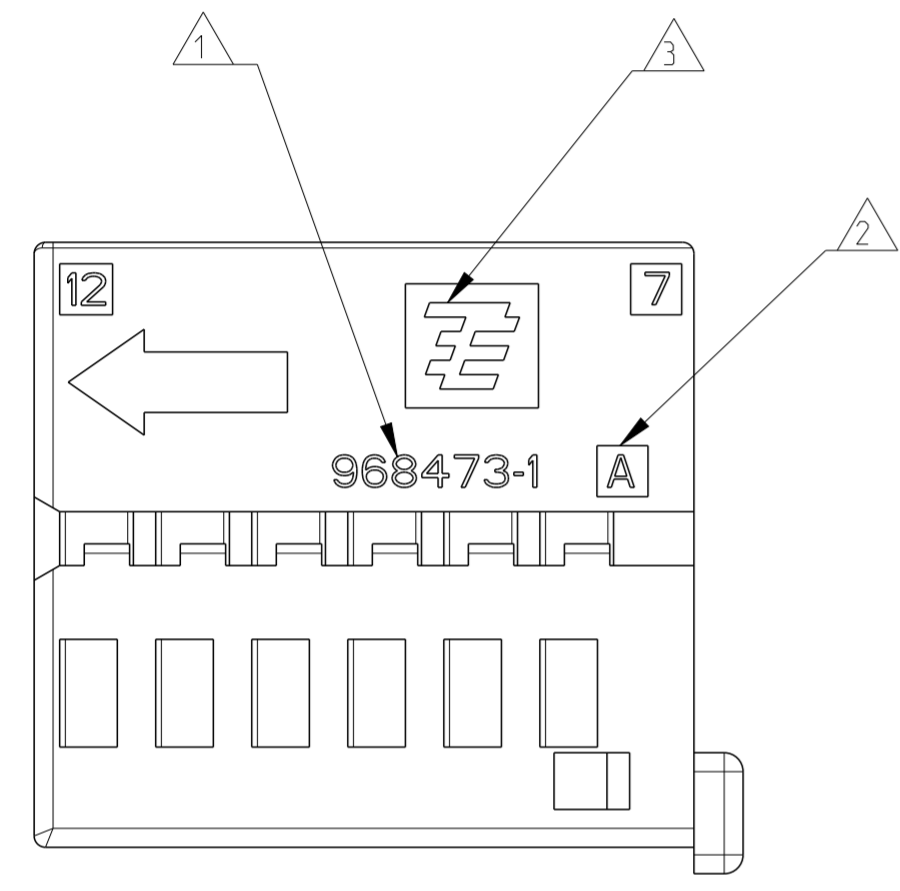


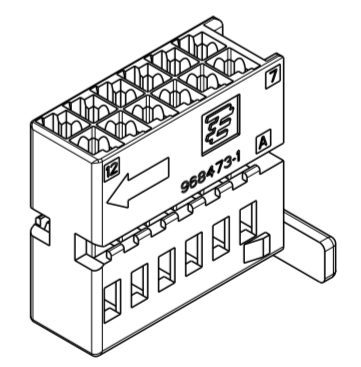
THIS DRAWING IS UNPUBLISHED. RELEASED FOR PUBLICATION 2009
 © COPYRIGHT 2009 BY TYCO ELECTRONICS CORPORATION. ALL RIGHTS RESERVED.

REVISIONS					
P	LTR	DESCRIPTION	DATE	DWN	APVD
A4		SEE E-09-013247	20MAY2009	FU	MR
A5		SEE ECR-18-017143	30OCT2018	KC	PT



- NOTES
BEMERKUNGEN
- NV NOTE NOT VALID
Bemerkung nicht verwendet
 - 1 ORDER NUMBER
BESTELL-NUMMER
 - 2 REVISION NUMBER
WERKZEUGÄNDERUNGSINDEX
 - 3 TE LOGO
 - 4 CONTACT CAVITY NUMBER
KONTAKTKAMMERNUMMER
 - 5 MATERIAL MARKING
WERKSTOFFKENNZEICHNUNG
 - 6 PRODUCTION DATE
PRODUKTIONSdatum
 - 7 PRE-SERIES PART WITH CONDITIONAL RELEASE
MARKED WITH CONDITIONING CLOCK
INSTEAD OF DATE CLOCK
VORSERIENTEIL MIT BEDINGTER FREIGABE
MARKIERT MIT ÄNDERUNGSUHR
ANSTELLE DER DATUMSUHR
 - 8 TOOL CAVITY MARKING
NESTMARKIERUNG
 - 9 PACKAGING: BULK MATERIAL IN CARDBOARD BOX
VERPACKUNG: SCHUETTGUT IN KARTON
 - NV PACKAGING: LAYERS IN CARDBOARD BOX
VERPACKUNG: LAGENWEISE IN KARTON

12POS. CONNECTOR CONTAINS :
 12 pol. Steckverbinder besteht aus :
 967646-x 12POS. PINHEADER / 12pol. Stiftleiste
 929051-1 COVER WITH LEVER / Abdeckkappe mit Hebel
 968473-1 12POS. MQS HOUSING / 12pol. MQS-Gehaeuse



2:1

TE ORDER NO STRIP FORM	TE ORDER NO LOOSE PIECE	WIRE RANGE MM ²	MATERIAL	FINISH
0-0963715-1	0-0963729-1	0.75	CuNiSi	PRETINNED
0-0928999-1	0-0963726-1	0.2-0.5	CuNiSi	PRETINNED

RECOMMENDED CONTACT SYSTEM: MQS; UNSEALED

968473	1	A	12POS. SOCKET HOUSING	PBT-GF20	BLACK / schwarz	1.2	1
TE ORDER NO TE BESTELLNUMMER	REV	DESCRIPTION NAME	MATERIAL	SURFACE COLOR	WEIGHT GEWICHT [g]	ITEM NO	
THIS DRAWING IS A CONTROLLED DOCUMENT.			DWN E. Ullrich 20MAY2009	TE Connectivity			
DIMENSIONS: mm			CHK R. Reinhardt 03JUN2009				
TOLERANCES UNLESS OTHERWISE SPECIFIED:			APVD	NAME			
1. PLC ±0.3			PRODUCT SPEC	12POS. SOCKET HOUSING FOR MQS			
2. PCC ±			108-185466-0	12pol. Buchsengehäuse fuer MQS			
3. PAC ±			APPLICATION SPEC	-			
4. PLS ±			114-18173-0	SIZE	CAGE CODE	DRAWING NO	RESTRICTED TO
ANGLES ±2°			WEIGHT	A2	00779	©-968473	-
FINISH			CUSTOMER DRAWING	SCALE	SHEET	REV	
				5:1	1 OF 1	A5	