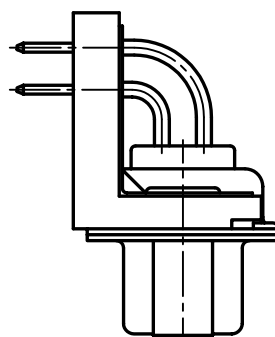
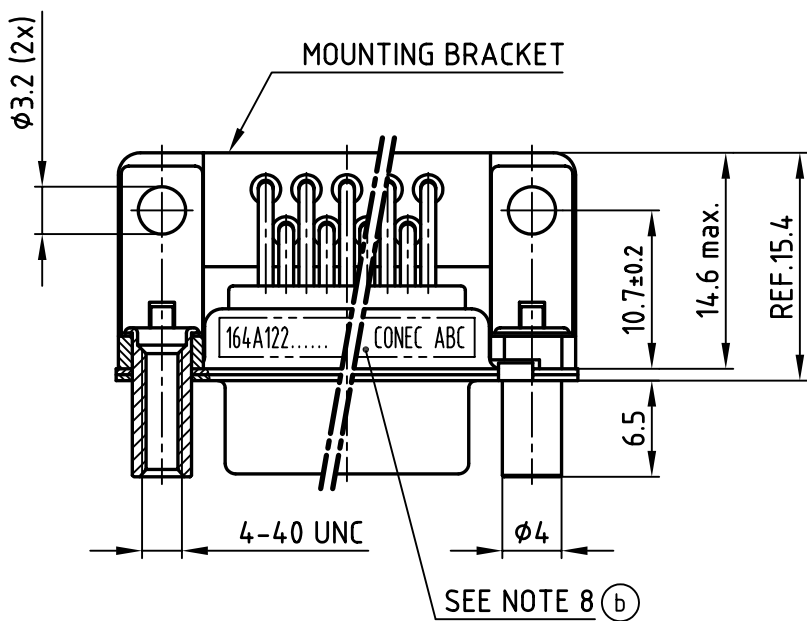
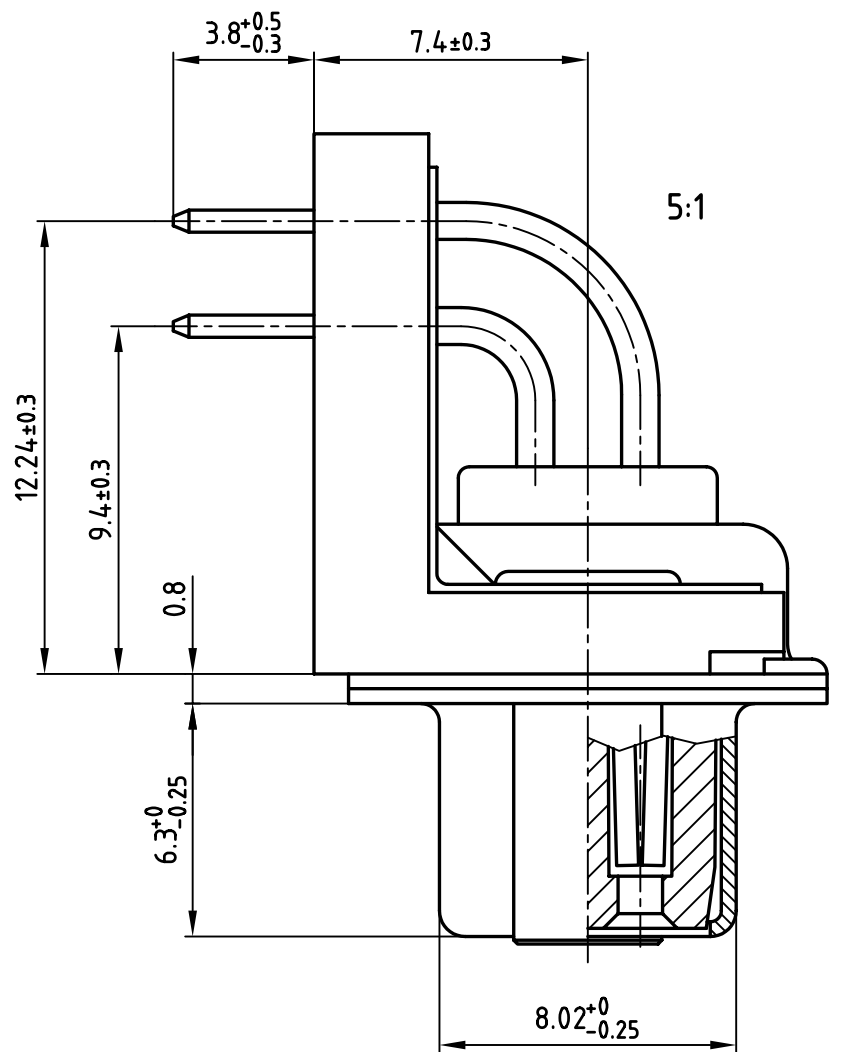
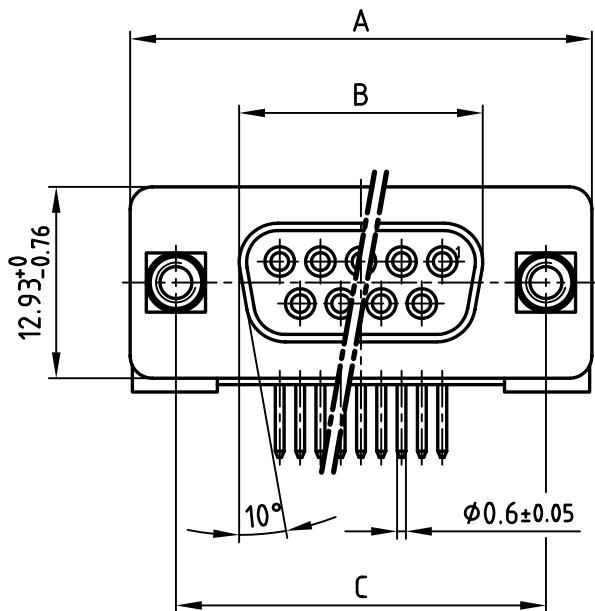


used for: D-SUB

POS.	A -0.76	B -0.25	C	PART NO.
9	31.19	16.46	25.00 ^{+0.12} / _{-0.13}	164A12229X
15	39.52	24.79	33.30 ^{+0.15} / _{-0.1}	164A12239X
25	53.42	38.50	47.04 ^{+0.13} / _{-0.13}	164A12249X
37	69.70	54.96	63.50 ^{+0.13} / _{-0.13}	164A12259X



NOTES:

- METALSHELLS: STEEL; min. 315µin TIN over 40-80pin NICKEL
- INSULATORS: PBT GF UL 94 V-0; BLACK
- CONTACTS: COPPER ALLOY
PLATING: 8µin HARD GOLD over min. 50µin NICKEL
- MOUNTING AND GROUNDING BRACKETS: PBT GF UL 94 V-0; BLACK
- THREADED LOCKS: COPPER ALLOY; min. 200µin TIN over 80µin NICKEL
- P.C.B. HOLE DRILLINGS ON SHEET 2
- MAXIMUM TORQUE VALUE FOR THREAD: 6 in.LB
- CONNECTOR IS PART MARKED: PART-NO. CONEC ABC



APPROVAL # FREIGABE # DEBLOCAGE # AUTORIZACION # APPROVAL	
CUSTOMER APPROVAL DATE:	
NAME:	TITLE:
COMPANY NAME:	
APPROVAL # FREIGABE # DEBLOCAGE # AUTORIZACION # APPROVAL	

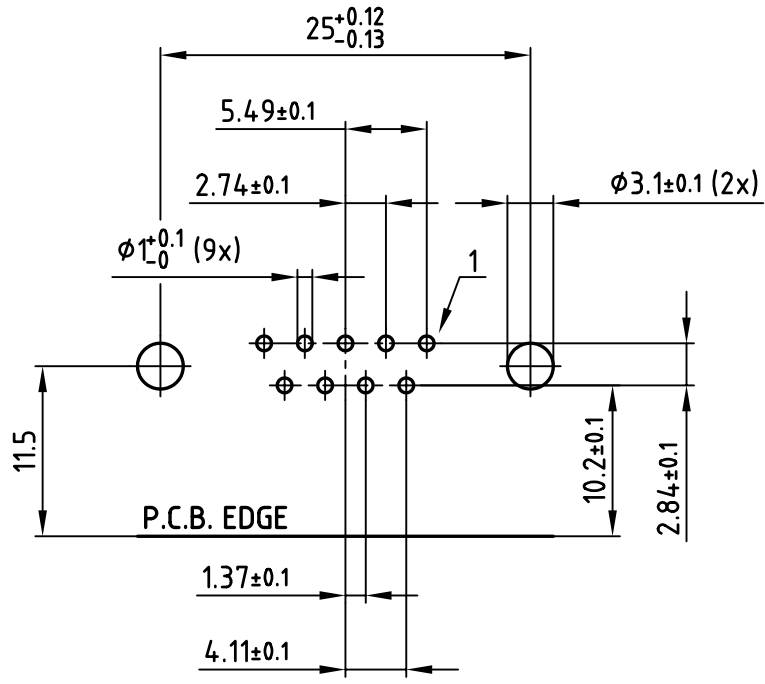
THIS DRAWING MAY NOT BE COPIED OR REPRODUCED IN ANY WAY, AND MAY NOT BE PASSED ON TO A THIRD PARTY WITHOUT WRITTEN PERMISSION.
 OWNERSHIP AND COPYRIGHT OF CONEC GmbH
 DO NOT ALTER CAD DRAWING BY HAND

1 x b	Ä 3462	20.10.09	Lehmen
a	Origin		
rev.	description	date	name

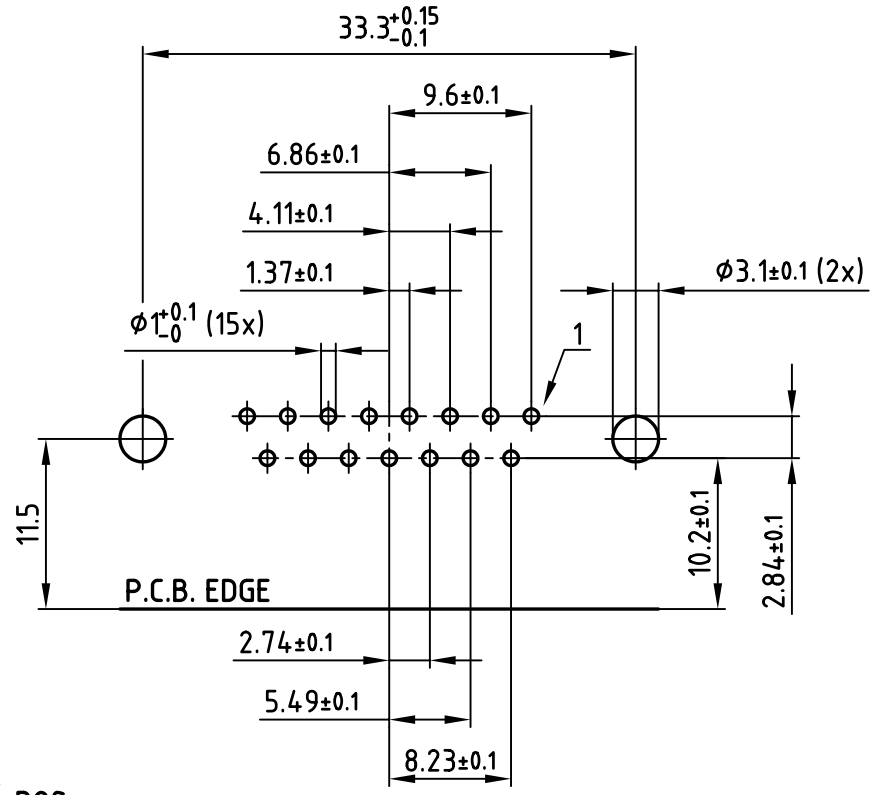
tolerance		scale:	2:1 (5:1)
	dim. in mm	material:	SEE NOTES
2001	date	name	title:
drawn	22.03.	Parei	D-SUB FEMALE 90°
appd.	22.03.	E. Mickenbecker	9-37pos. 0.370inch
norm	DIN 41652		threaded lock, mounting and grounding bracket
d-old			dwg no: AutoCAD 2006
CONEC			DIN-A
			3
part no: SEE TABLE			sh:1/2

dwg no: AutoCAD 2006		DIN-A
16K1A167A		3
part no: SEE TABLE		sh:1/2

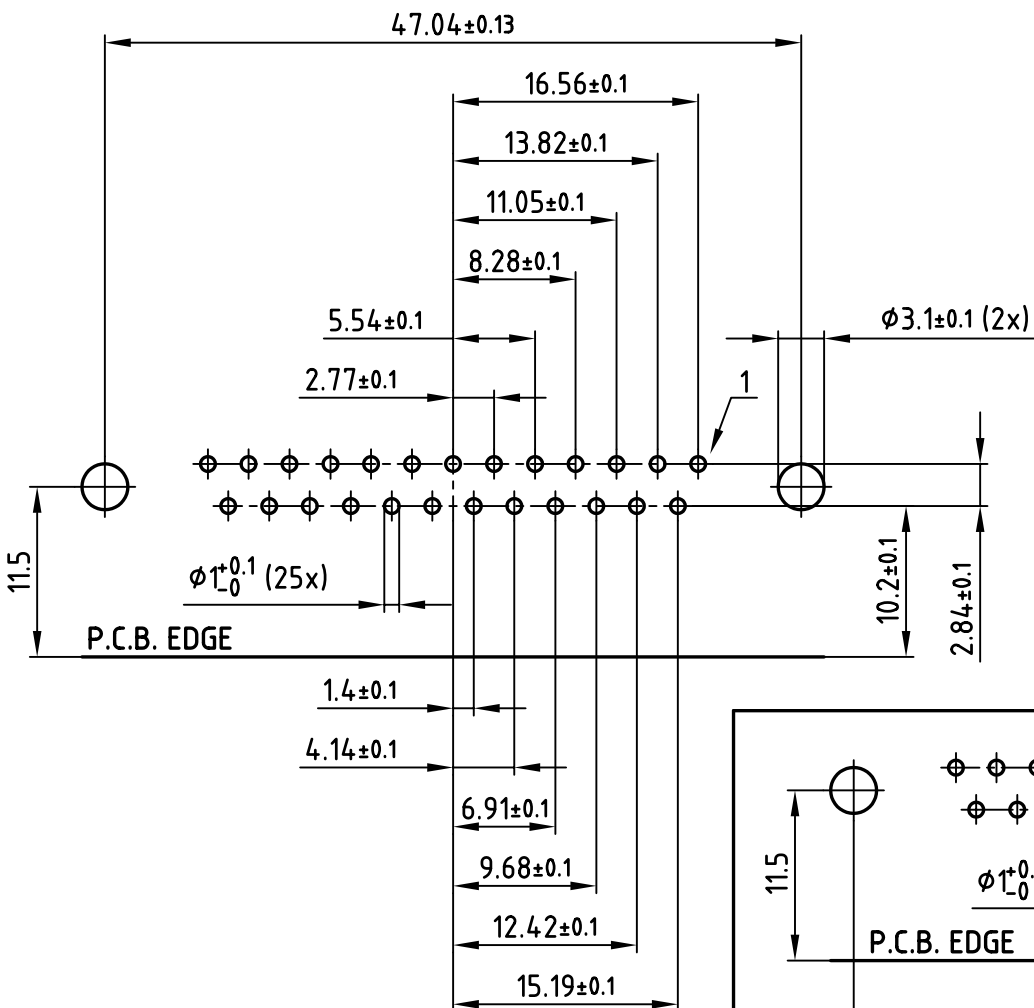
used for: D-SUB



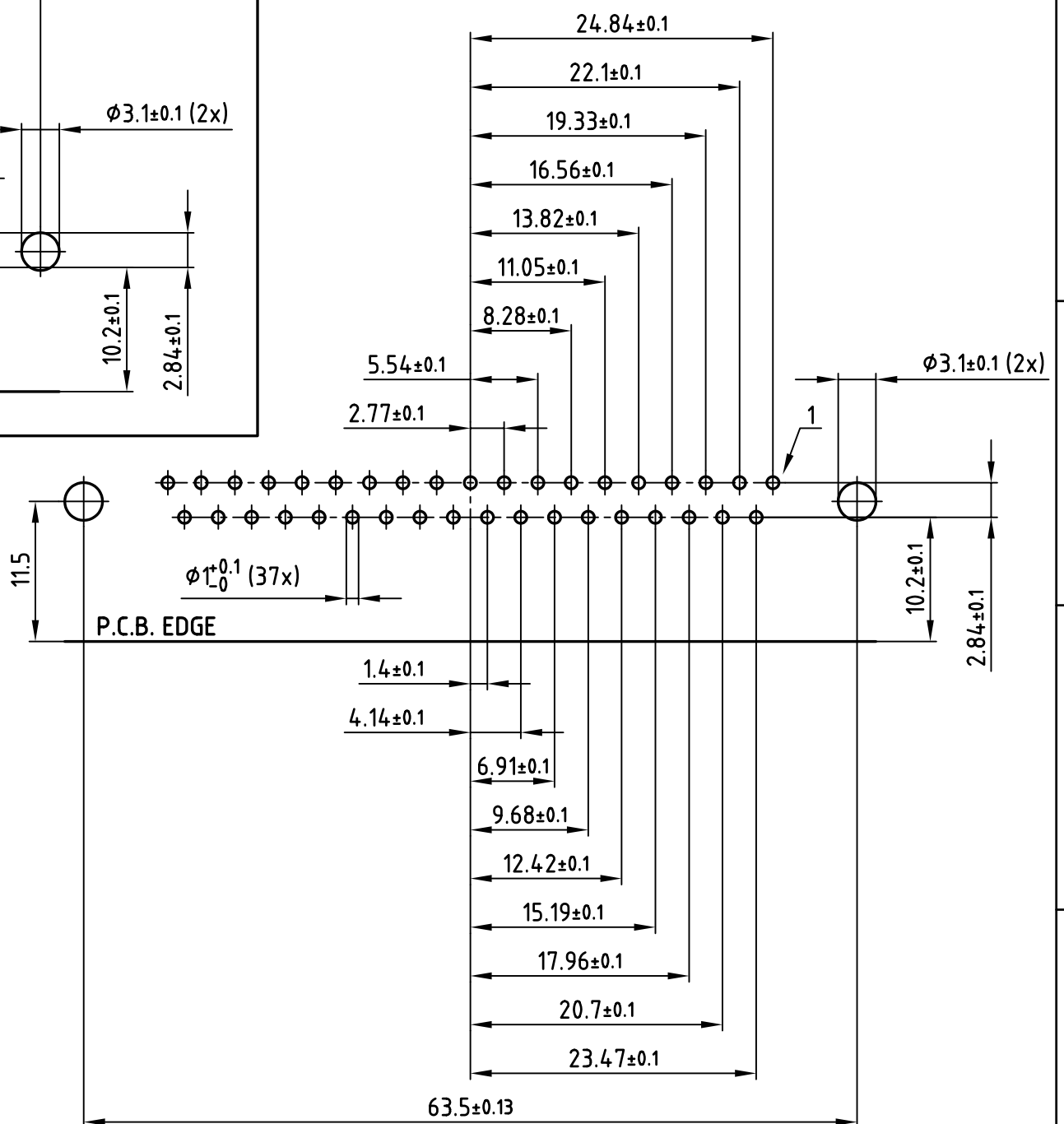
9 pos.



15 pos.



25 pos.



37 pos.

P.C.B. HOLE DRILLINGS
(P.C.B. TOP SIDE)

APPROVAL # FREIGABE # DEBLOCAGE # AUTORIZACION # APPROVAL

CUSTOMER APPROVAL DATE:

NAME: TITLE:

COMPANY NAME:

APPROVAL # FREIGABE # DEBLOCAGE # AUTORIZACION # APPROVAL

THIS DRAWING MAY NOT BE COPIED OR REPRODUCED IN ANY WAY, AND MAY NOT BE PASSED ON TO A THIRD PARTY WITHOUT WRITTEN PERMISSION.

OWNERSHIP AND COPYRIGHT OF CONEC GmbH

DO NOT ALTER CAD DRAWING BY HAND

rev.	description	date	name
a	Origin		

tolerance		dim. in mm
2009	date	
drawn	20.10.	name
appd.	20.10.	Fischer
norm		DIN 41652
d-old		
CONEC		

scale: 2:1

material: SEE SHEET 1

title: P.C.B. HOLE DRILLINGS
D-SUB FEMALE 90° 9-37pos. 0.370inch threaded lock, mounting and grounding bracket

dwg no: AutoCAD 2006

part no: SEE SHEET 1

DIN-A 3 sh:2/2