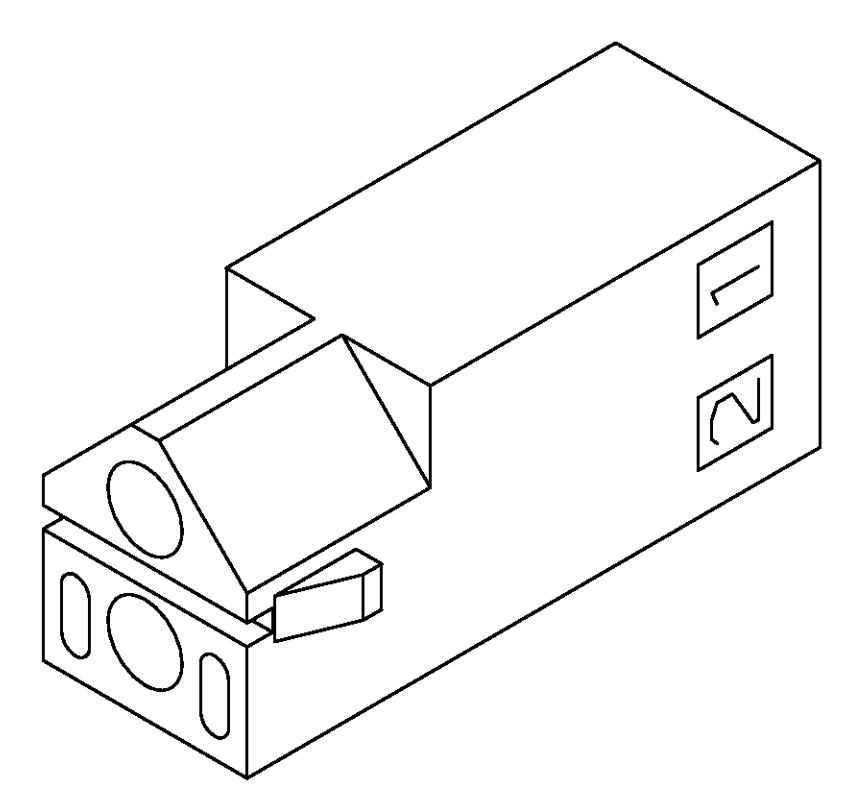
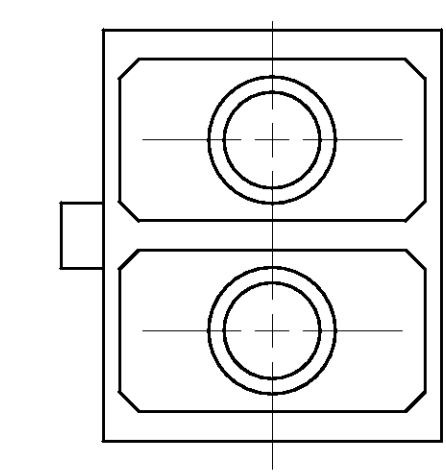
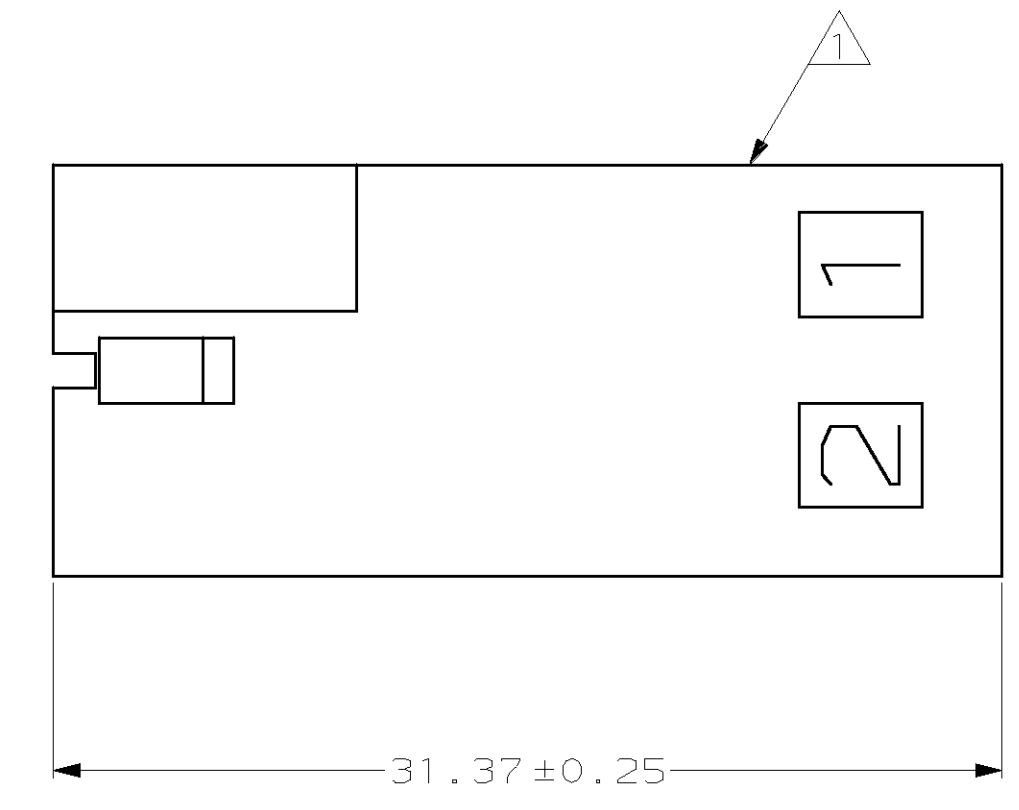
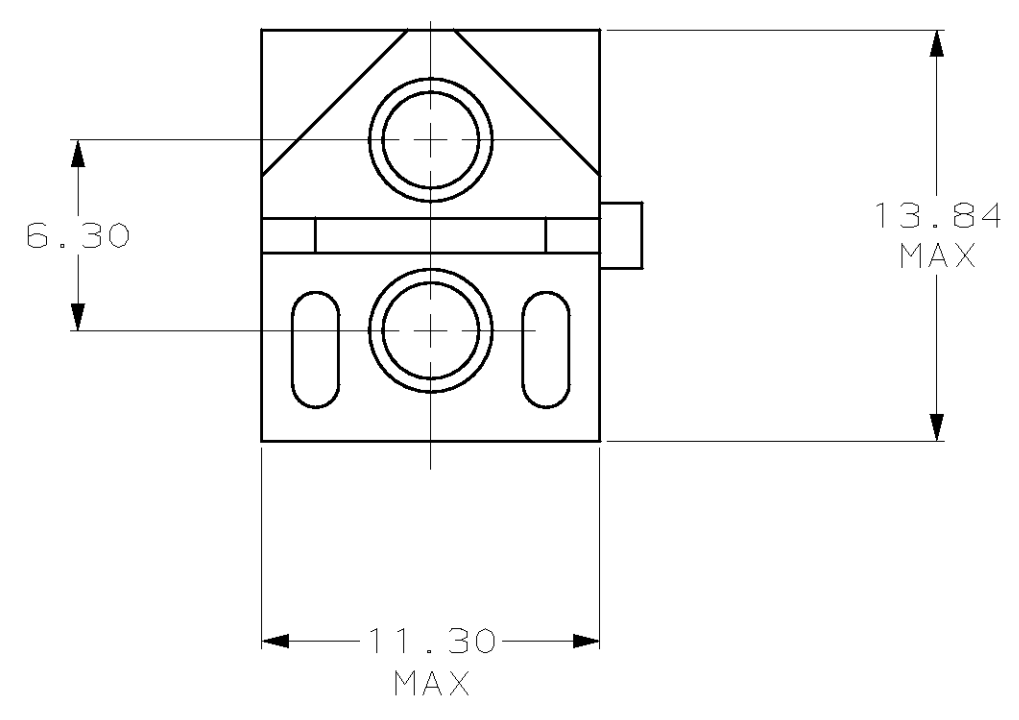


LOC	QTY	REV	DATE	BY	APPV
CM	53	F	2-25-98	KW	RS

△ AMP LOGO AND CAVITY NO. LOCATED ON THIS SURFACE.
 2. PARTS ARE DUAL WIRE COMPATIBLE.



3-DIMENSIONAL MODEL
 NTS

MM	IN
31.37	1.235
13.84	.545
11.30	.445
6.30	.248
2.36	.093
0.25	.010
0.13	.005
MM	IN

CONVERSION TABLE

770364-1
 PART NUMBER

METRIC

THIS DRAWING IS A CONTROLLED DOCUMENT.

DIMENSIONS:	TOLERANCES UNLESS OTHERWISE SPECIFIED:	DWN: K. WHITAKER	2-25-98
mm	0.13	CHK: R. SWING	2-25-98
0.13	± .005	APVD: K. COBLE	2-25-98
0.25	± .010	PRODUCT SPEC:	
0.50	± .025	APPLICATION SPEC:	
1.27	± .030	HEIGHT:	
2.54	± .060	MATERIAL: NYLON, JL 94V-2, NATURAL	FINISH: -

AMP Incorporated
 Harrisburg, PA 17105-3608

RECEPTACLE, 2 CIRCUIT,
 .093 PIN AND SOCKET

SIZE: A1 007799
 SCALE: 4:1
 SHEET: 1 OF 1
 REV: F