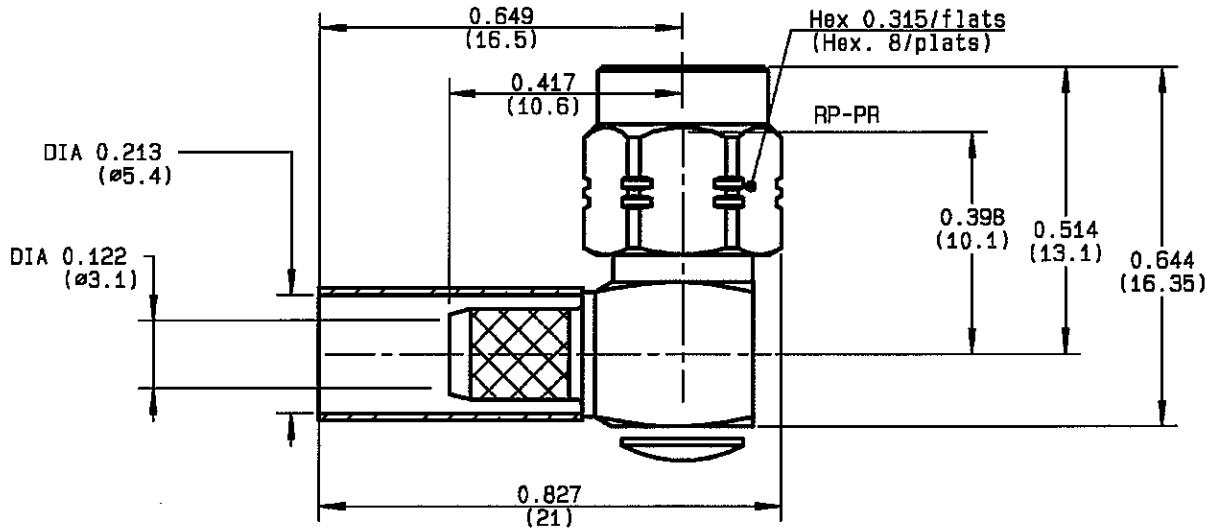


**RIGHT ANGLE PLUG CRIMP TYPE
CABLE 5/50 S**

**R124.175.120
SERIES SMA-COM**



NOMINAL IMPEDANCE	50 Ω
FREQUENCY RANGE	0-12.4 GHz
TEMPERATURE RATING	-65/+165 °C
V.S.W.R	1.15 + .02 x F(GHz)Max1
RF INSERTION LOSS	0.05 √F(GHz) dB Max1
VOLTAGE RATING	335 V _{eff} Max1
DIELECTRIC WITHSTANDING VOLTAGE	1000 V _{eff} Mini
INSULATION RESISTANCE	5000 MΩ Mini
HERMETIC SEAL	NA Atm.cm ³ /s
LEAKAGE (pressurized only)	NA
MECHANICAL DURABILITY	100 Cycles
WEIGHT	5.5 gr
SPECIFICATION	

CABLES : **KX 15**
RG 141
RG 58

OTHERS CHARACTERISTICS

CABLE RETENTION	180 N Mini
CENTER CONTACT RETENTION	
Axial force - mating end	27 N Mini
Axial force - opposite end	27 N Mini
Torque	NA cm.N Mini
RECOMMENDED TORQUES	
Mating	60 cm.N
Panel nut	NA cm.N
Clamp nut	NA cm.N

CONNECTOR PARTS:	MATERIALS	FINISH	(all values are given in micrometers)
BODY	BRASS	BBR 2	
OUTER CONTACT			
CENTER CONTACT	BRASS	GOLD 1.3 OVER COPPER 2.5	
INSULATOR	PTFE	-	
GASKET		-	
OTHERS PIECES	BRASS	BBR 2	

ISSUE
0708E

CREATION DATE
30/06/1993

FILE PART-NUMBER
EPC 97-03



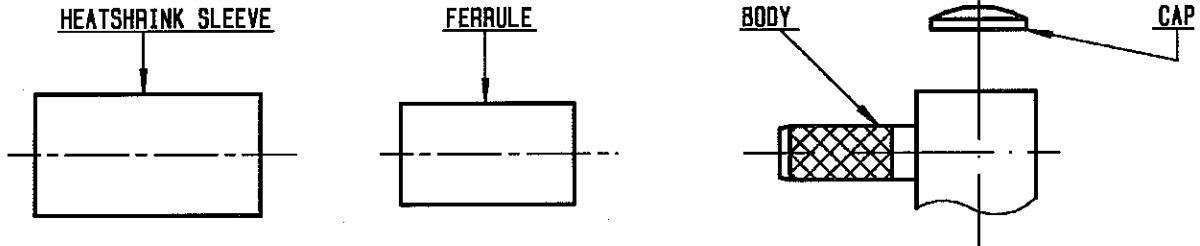
TRIQUES

The information given here is subject to change without notice.
Design changes may be in order to improve the product.

Connect to the future

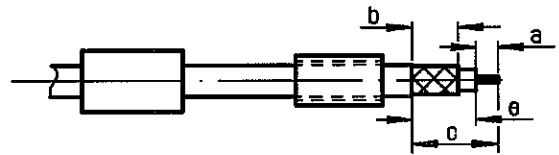


R124.175.120
 ISSUE 0708E SERIES SMA-COM



①

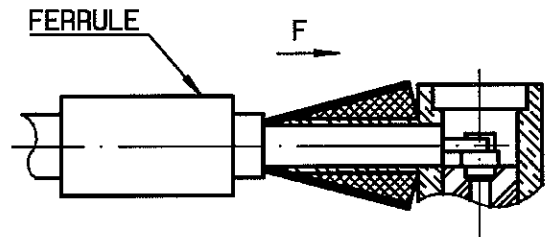
Slide heatshrink sleeve (R280.637.030 - Option) and the ferrule onto cable .
 Strip the cable .
 -
 -



Stripping	a	b	c	d	e
inch	0.079	0.256	0.472	0	0.394
mm	2	6.5	12		10

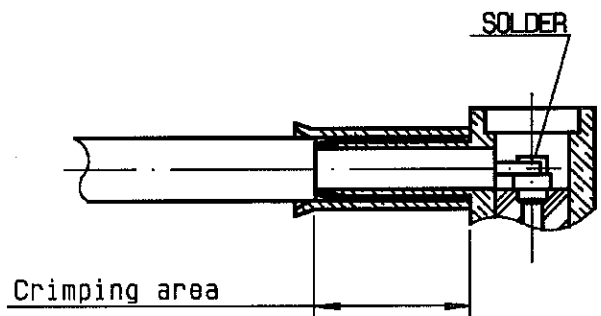
②

Fan the braid .
 Push connector body under the braid .
 Slide ferrule over braid
 (in direction F)
 -
 -



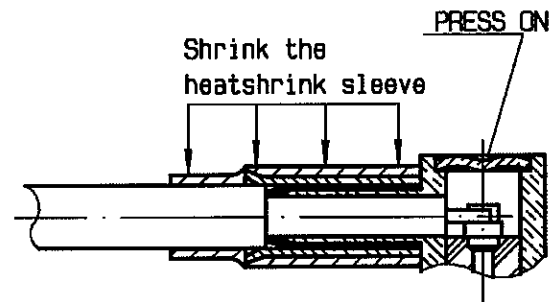
③

Crimp the ferrule with crimping tool R282 223 000 (Hex. : 0.212) or crimping tool R 282 293 000 (M22520/5-01) + dies R 282 235 011 (M22520/5-11)
 Solder inner conductor .



④

Place the cap into body.
 Press cap flush or slightly below surface of body assembly .
 Slide sleeve over ferrule and heatshrink in place (Option) .
 -
 -
 -



TRIQUES