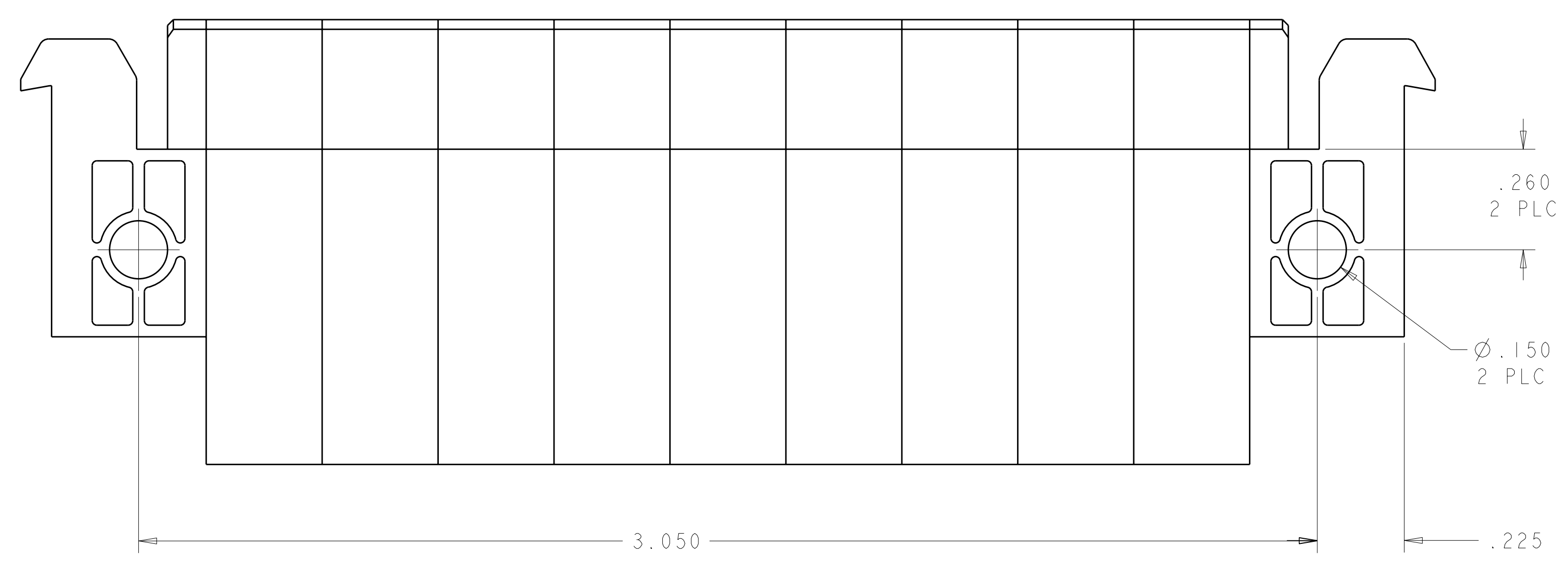
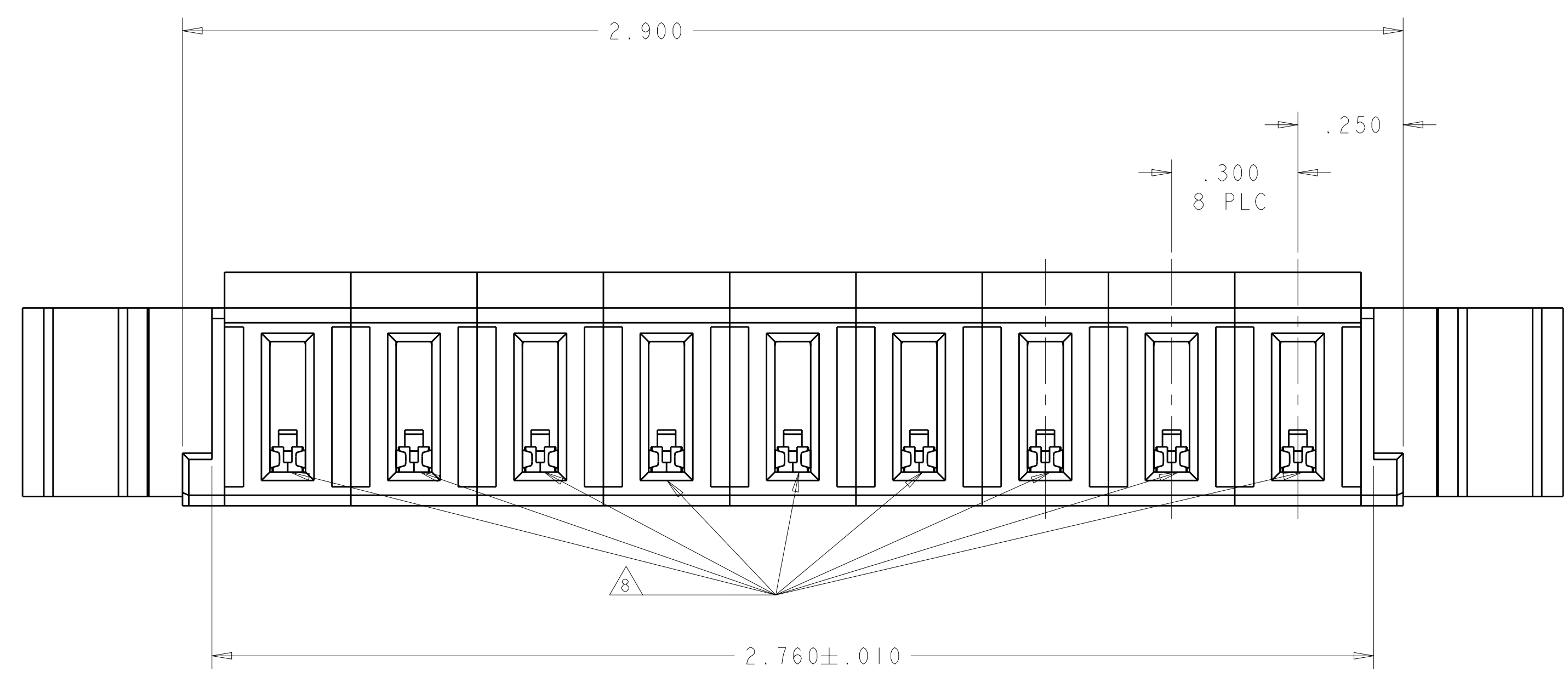
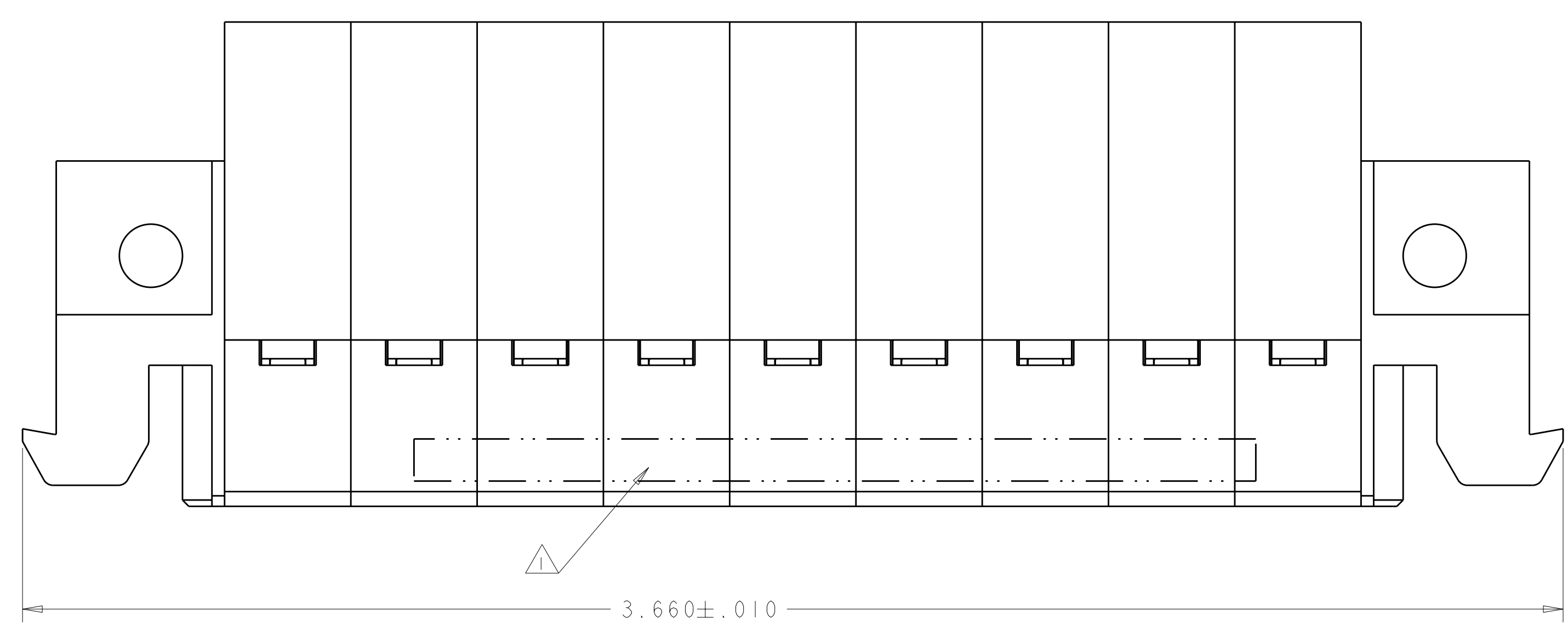
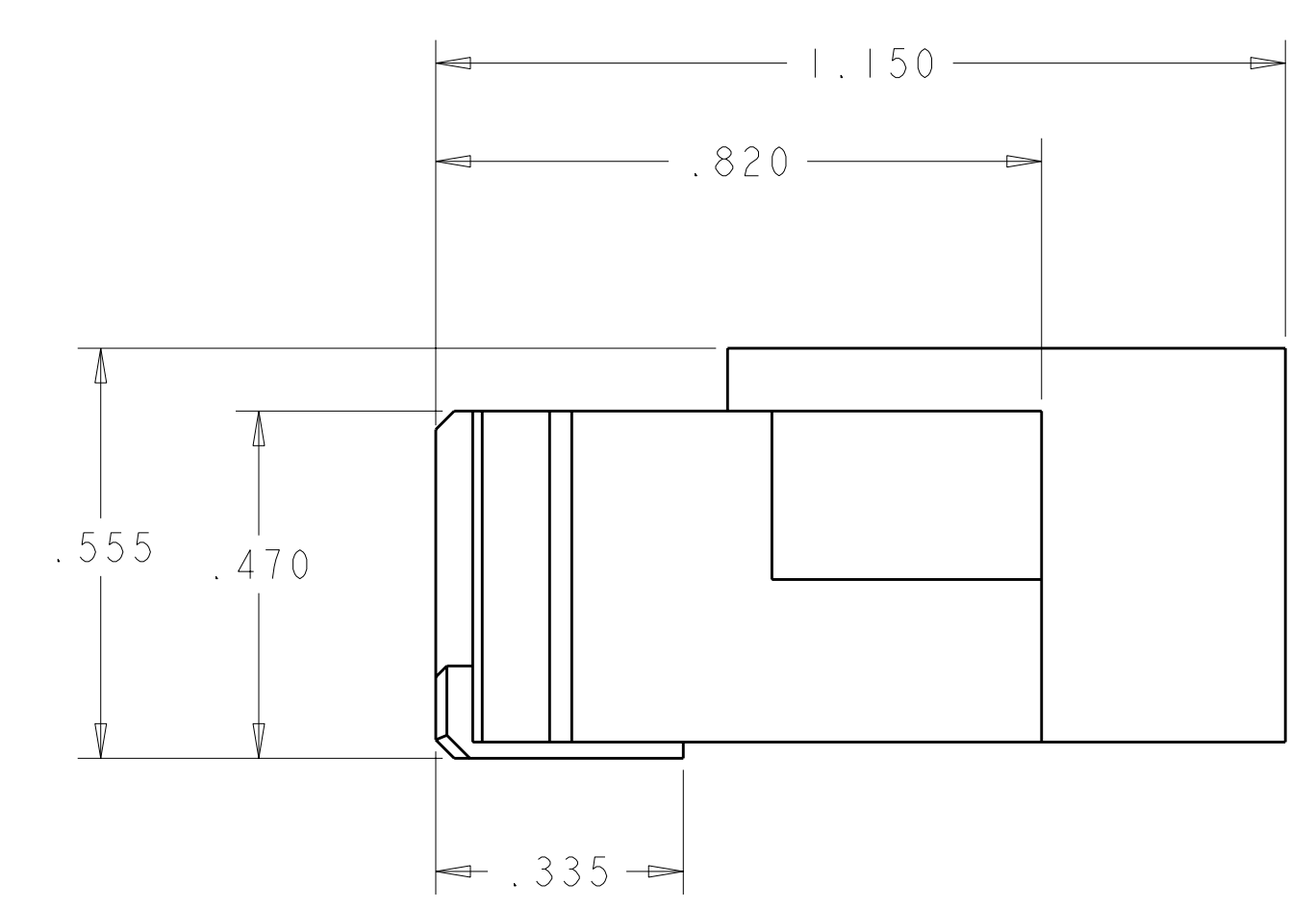


LOC	DIST	REVISIONS				
ES	00	REV	DESCRIPTION	DATE	DWN	APVD
		A	REV PER ECR-06-029799	21DEC2006	CZ	SY

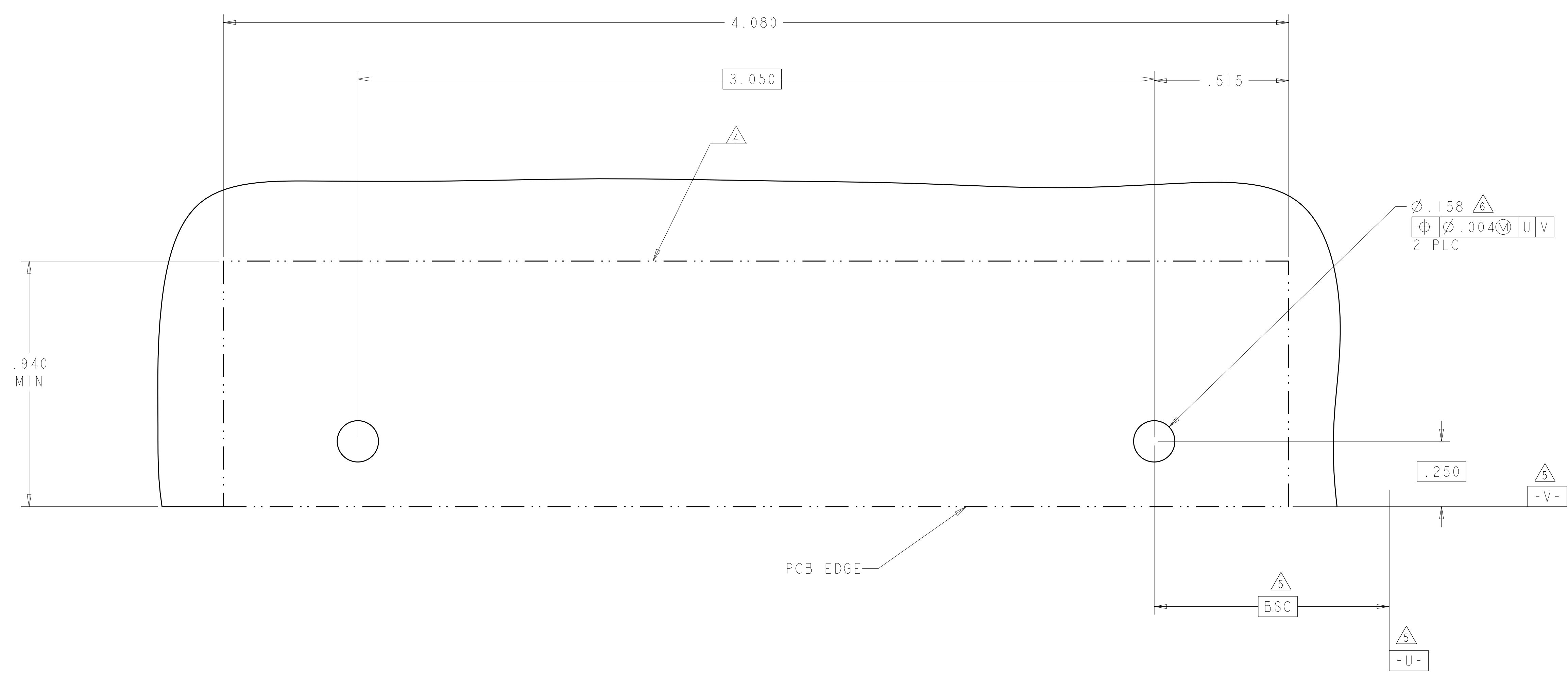
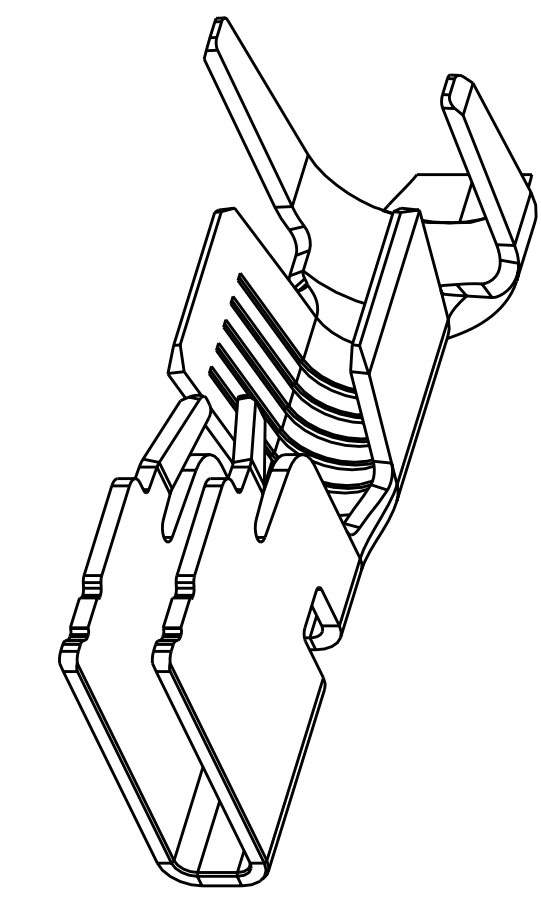
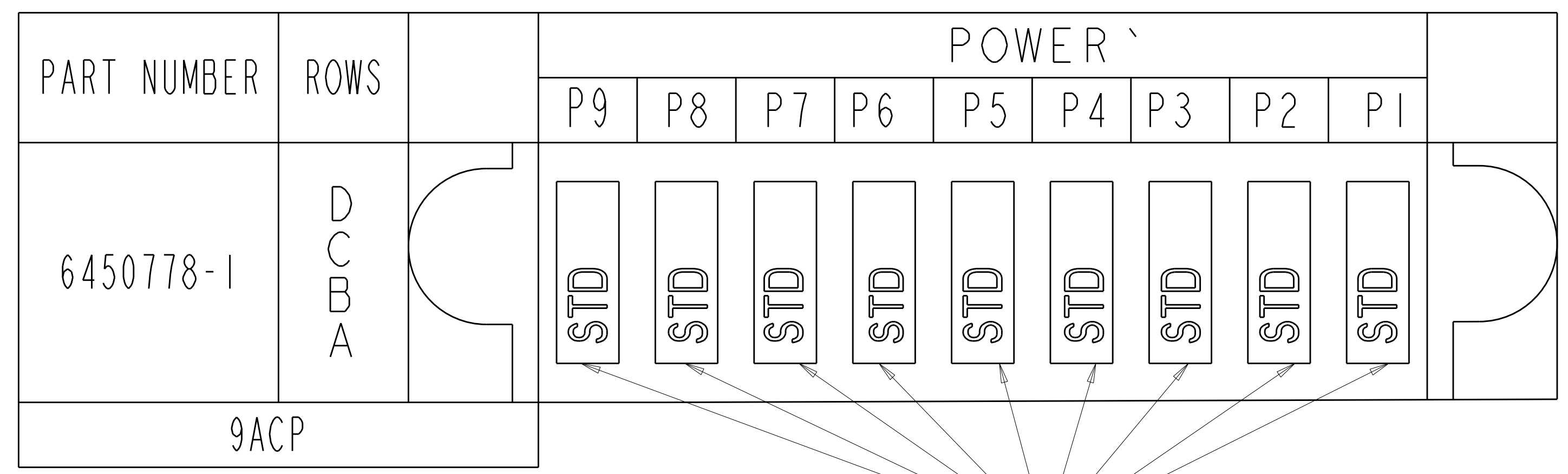


- △ "AMP", PART NUMBER AND DATE CODE TO BE MARKED
- △ MATERIAL: HOUSING - GLASS FILLED HIGH TEMP THERMO PLASTIC, UL94 V-0.
 SIGNAL CONTACT - HIGH CONDUCTIVITY COPPER ALLOY
 POWER CONTACT - HIGH CONDUCTIVITY COPPER ALLOY
- △ CONTACT PLATING: SIGNAL CONTACTS - .000050 MIN Ni UNDER ALL.
 .000030 MIN Au ON CONTACT AREA. .000100 MIN Sn AT PCB INTERFACE.
 POWER CONTACTS - .000050 MIN Ni UNDER ALL.
 .000030 MIN Au ON CONTACT AREA. .000100 MIN Sn AT PCB INTERFACE.
- △ MECHANICAL CONNECTOR KEEP OUT ZONE.
- △ DATUM AND BASIC DIMENSIONS ESTABLISHED BY CUSTOMER.
- △ PCB - ALL HOLE DIAMETERS ARE FINISHED HOLE SIZES
- △ PCB - .0453 ± .0010 DRILLED HOLES PLATED WITH .0003 MIN Sn OVER .001 TO .003 Cu PLATING TO ACHIEVE A .040 DIAMETER HOLE
- △ A/C POWER CABLE CONTACT LOADED IN THESE CAVITIES.



9ACP		6450778-1	
DESCRIPTION		PART NUMBER	
tyco Electronics			
DWN: CECILY.ZHOU 21NOV2006		Tyco Electronics incorporated	
CHK: S.ZHAO 21NOV2006		Shanghai, P.R.China.200233	
APVD: S.YAO		NAME: RIGHT ANGLE RECEPTACLE ASSEMBLY	
PRODUCT SPEC: 108-1973		A/C PASS THRU W/LATCH RECEIVERS	
APPLICATION SPEC: 114-13038		MULTI-BEAM XL	
SIZE: 114-13038		RESTRICTED TO:	
WEIGHT: -		A 00779 C=6450778	
CUSTOMER DRAWING		SCALE: 4:1 SHEET 1 OF 2 REV A	

LOC	DIST	REVISIONS			
ES	00	REV	DATE	BY	APPD
-	-	SEE SHEET 1	-	-	-



<small>THIS DRAWING IS UNPUBLISHED. RELEASED FOR PUBLICATION. ALL RIGHTS RESERVED. THIS DRAWING IS UNPUBLISHED. RELEASED FOR PUBLICATION. ALL RIGHTS RESERVED. THIS DRAWING IS UNPUBLISHED. RELEASED FOR PUBLICATION. ALL RIGHTS RESERVED.</small>		DWN CECILY.ZHOU 21NOV2006 CHK S.ZHAO 21NOV2006 APVD S.ZHAO	Tyco Electronics incorporated Shanghai, P.R.China. 200233
DIMENSIONS: INCHES 	TOLERANCES UNLESS OTHERWISE SPECIFIED: 9 PLC ±. 8 PLC ±.01 5 PLC ±.005 4 PLC ±.0020 ANGLES #2	NAME RIGHT ANGLE RECEPTACLE ASSEMBLY A/C PASS THRU W/LATCH RECEIVERS MULTI-BEAM XL	SIZE CAGE CODE DRAWING NO A11 00779 C-6450778
MATERIAL	FINISH	WEIGHT	RESTRICTED TO
-	-	-	-
CUSTOMER DRAWING		SCALE 4:1	SHEET 2 OF 2 REV A