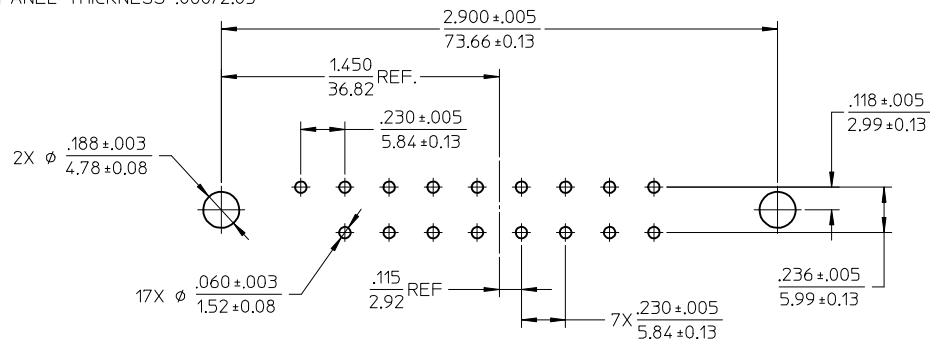
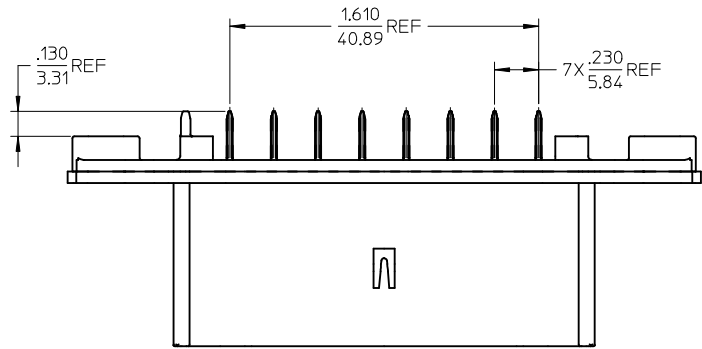
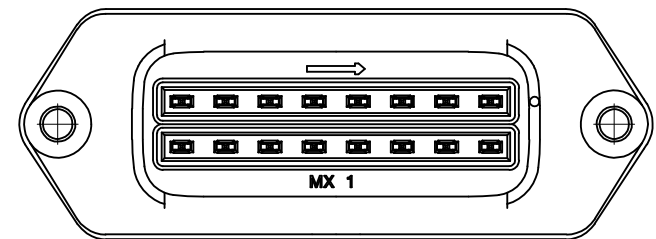
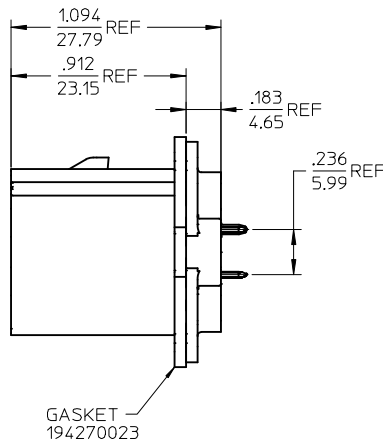
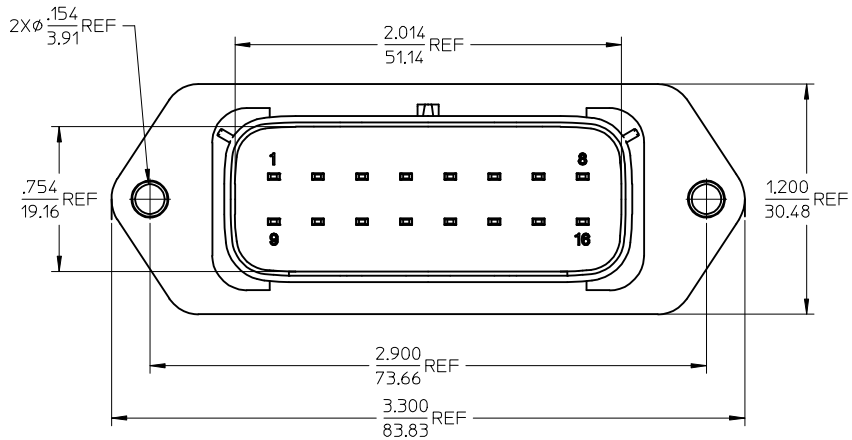


RECOMMENDED PANEL CUTOUT  
MAX PANEL THICKNESS .080/2.03



RECOMMENDED PCB LAYOUT  
COMPONENT VIEW  
TOLERANCES ARE NON-ACCUMULATIVE



MATERIAL NUMBER	TERMINAL PLATING
194280016	TIN
194280032	SELECT GOLD/TIN

NOTES:

- MATERIALS:  
HOUSING: POLYESTER (PBT), GLASS FILLED, UL94 V-0,  
COLOR: BLACK  
TERMINALS: COPPER ALLOY
- FINISHES: 1. TIN ONLY: 100µM TIN OVER 50µM NICKEL  
2. TIN/GOLD: 30µM SELECT GOLD (CONTACT MATING AREA),  
100µM SELECT TIN (PCB TAIL AREA) OVER 50µM NICKEL OVERALL.
- PRODUCT SPECIFICATION: PS-19428-001.
- PACKAGING SPECIFICATION: PK-19428-002.
- MATES WITH: 19418 SERIES RECEPTACLE ASSEMBLIES.

<b>PRODUCTION RELEASE</b> EC NO: ETC2005-0213 DRWN: JPAWLICK 2005/06/10 CHKD: JPAWLICK 2005/06/14 APPR: RDEROSS 2005/06/14 REV A	QUALITY SYMBOLS ▽=0 ▽=0	GENERAL TOLERANCES (UNLESS SPECIFIED) <table border="1"> <tr> <th></th> <th>mm</th> <th>INCH</th> </tr> <tr> <td>4 PLACES</td> <td>± .15</td> <td>± .005</td> </tr> <tr> <td>3 PLACES</td> <td>± .10</td> <td>± .004</td> </tr> <tr> <td>2 PLACES</td> <td>± 0.38</td> <td>± .015</td> </tr> <tr> <td>1 PLACE</td> <td>± .76</td> <td>± .030</td> </tr> </table>		mm	INCH	4 PLACES	± .15	± .005	3 PLACES	± .10	± .004	2 PLACES	± 0.38	± .015	1 PLACE	± .76	± .030	DIMENSION STYLE <b>IN/MM</b> DRAWN BY: BRUPERT DATE: 04/06/16 CHECKED BY: JPAWLICK DATE: 04/06/16 APPROVED BY: RDEROSS DATE: 04/06/16	SCALE: 2:1 DESIGN UNITS: INCH THIRD ANGLE PROJECTION	TITLE: <b>16-WAY STRAIGHT HEADER ASSEMBLY, SHORT VERSION</b>
		mm	INCH																	
	4 PLACES	± .15	± .005																	
	3 PLACES	± .10	± .004																	
2 PLACES	± 0.38	± .015																		
1 PLACE	± .76	± .030																		
DRAFT WHERE APPLICABLE MUST REMAIN WITHIN DIMENSIONS		MATERIAL NO.: SEE CHART SIZE: C	MOLEX INCORPORATED	DOCUMENT NO.: SD-19428-008 SHEET NO.: 1 OF 1																
THIS DRAWING CONTAINS INFORMATION THAT IS PROPRIETARY TO MOLEX INCORPORATED AND SHOULD NOT BE USED WITHOUT WRITTEN PERMISSION																				