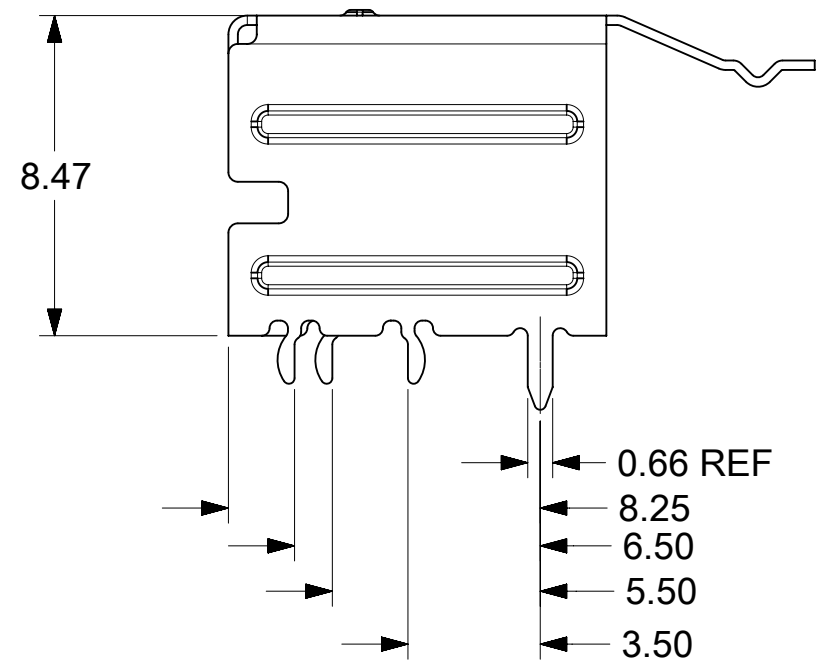
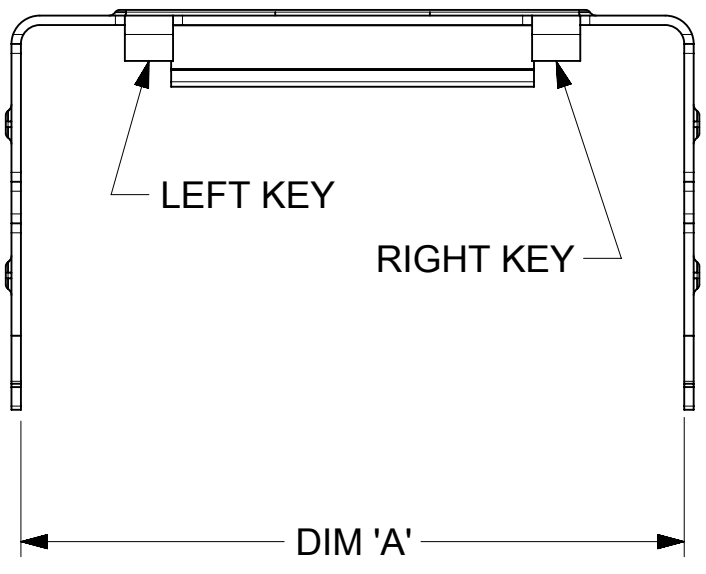
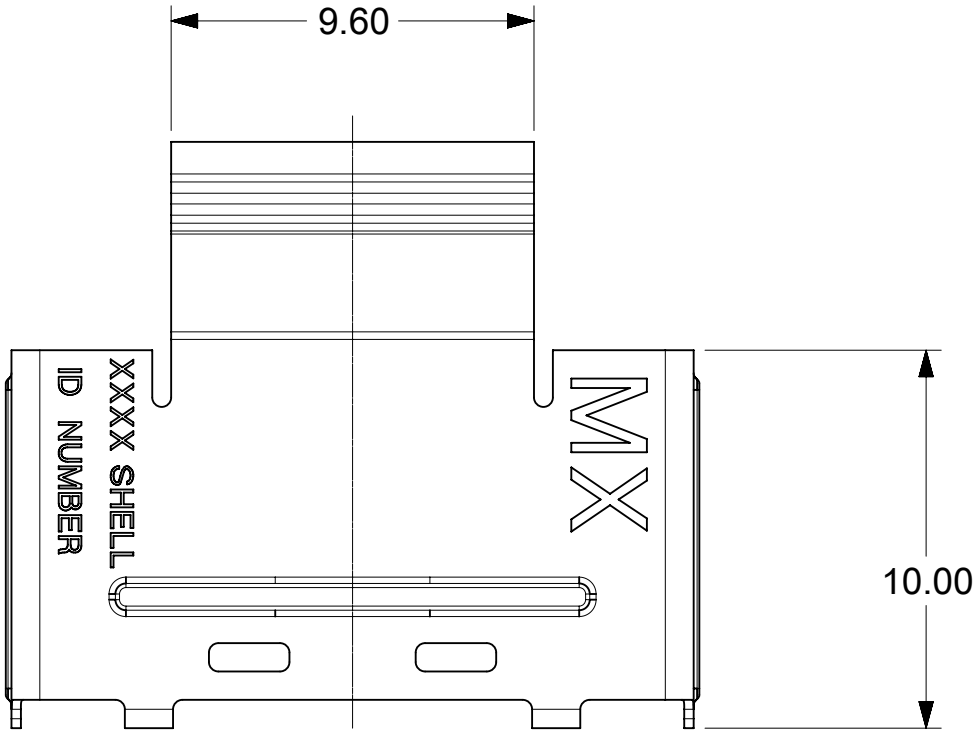
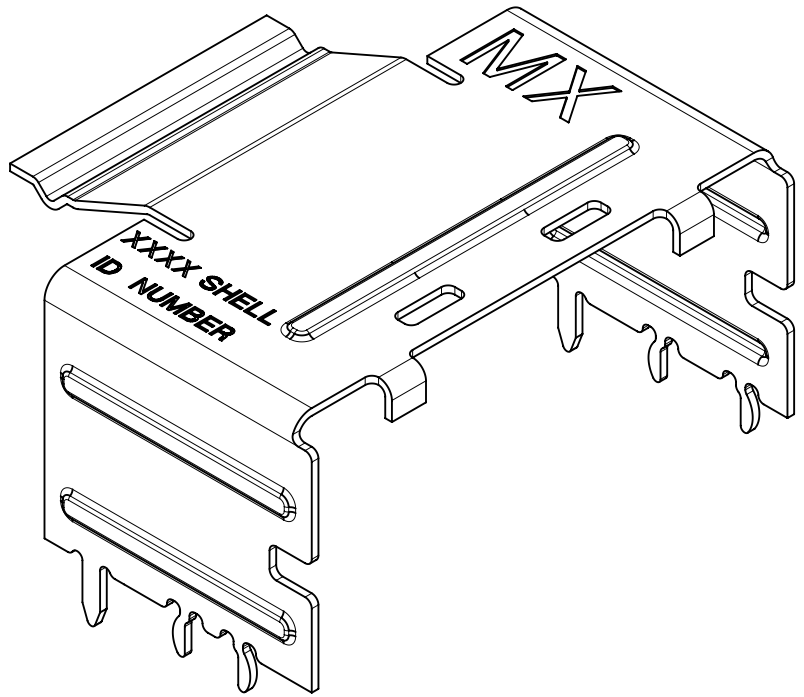


RETENTION FIT SHELL



ITEM NUMBER	CIRCUIT SIZE	DIM 'A'	KEY
76010-5000	26	13.55	LEFT
76010-5010	26	13.55	RIGHT
76010-5020	26	13.55	DUAL
76010-5100	36	17.55	LEFT
76010-5110	36	17.55	RIGHT
76010-5120	36	17.55	DUAL
76010-5030	26	13.55	UNIVERSAL
76010-5130	36	17.55	UNIVERSAL
76010-5200	50	23.15	LEFT
76010-5210	50	23.15	RIGHT
76010-5220	50	23.15	DUAL
76010-5300	68	30.35	LEFT
76010-5310	68	30.35	RIGHT
76010-5320	68	30.35	DUAL
76010-5230	50	23.15	UNIVERSAL
76010-5330	68	30.35	UNIVERSAL

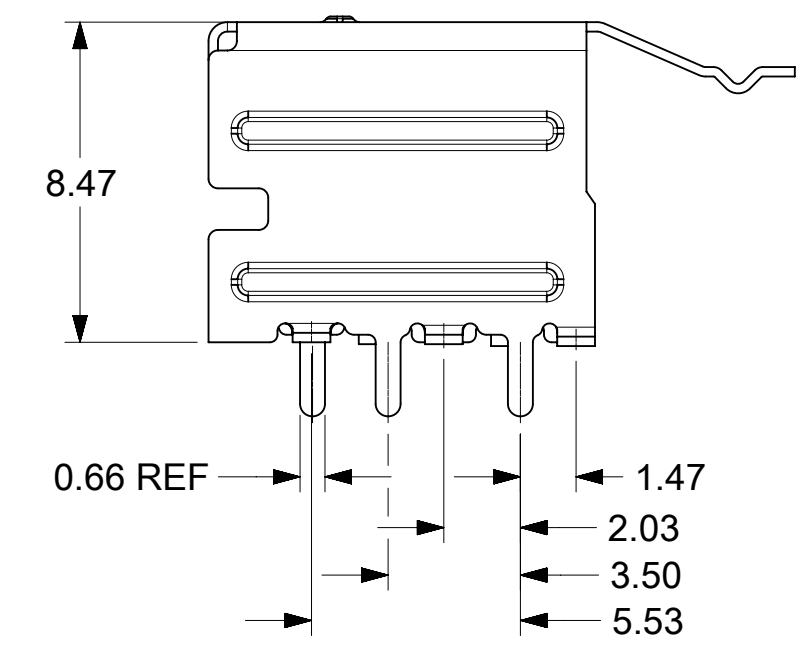
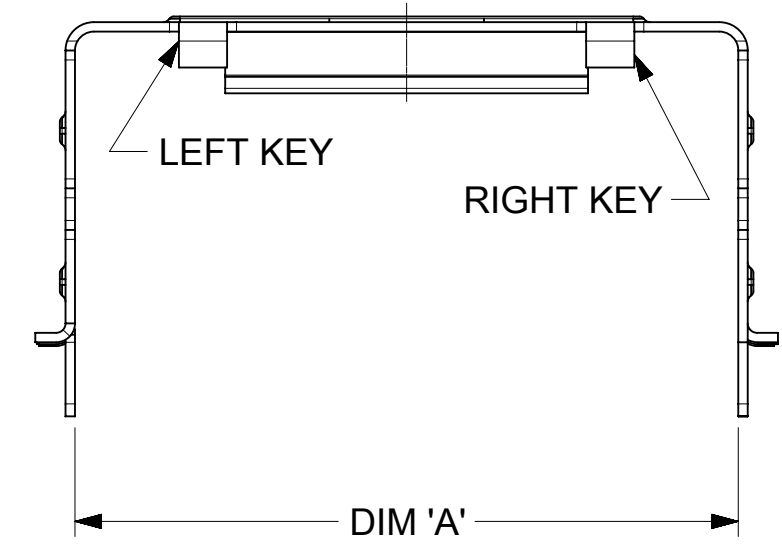
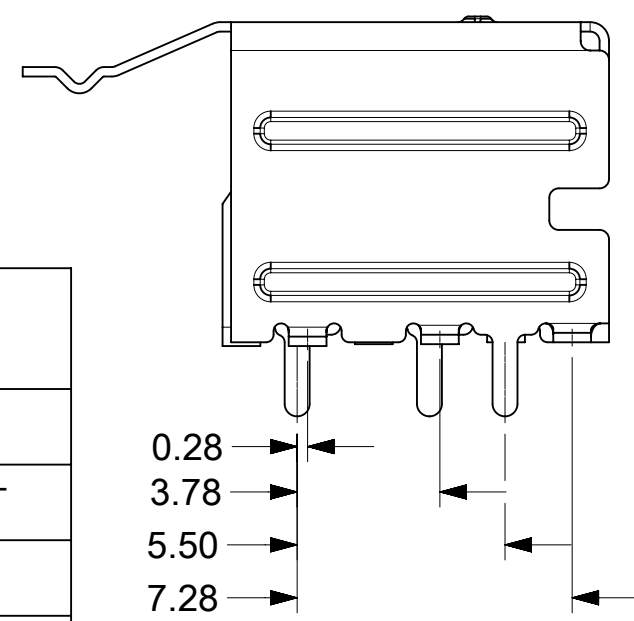
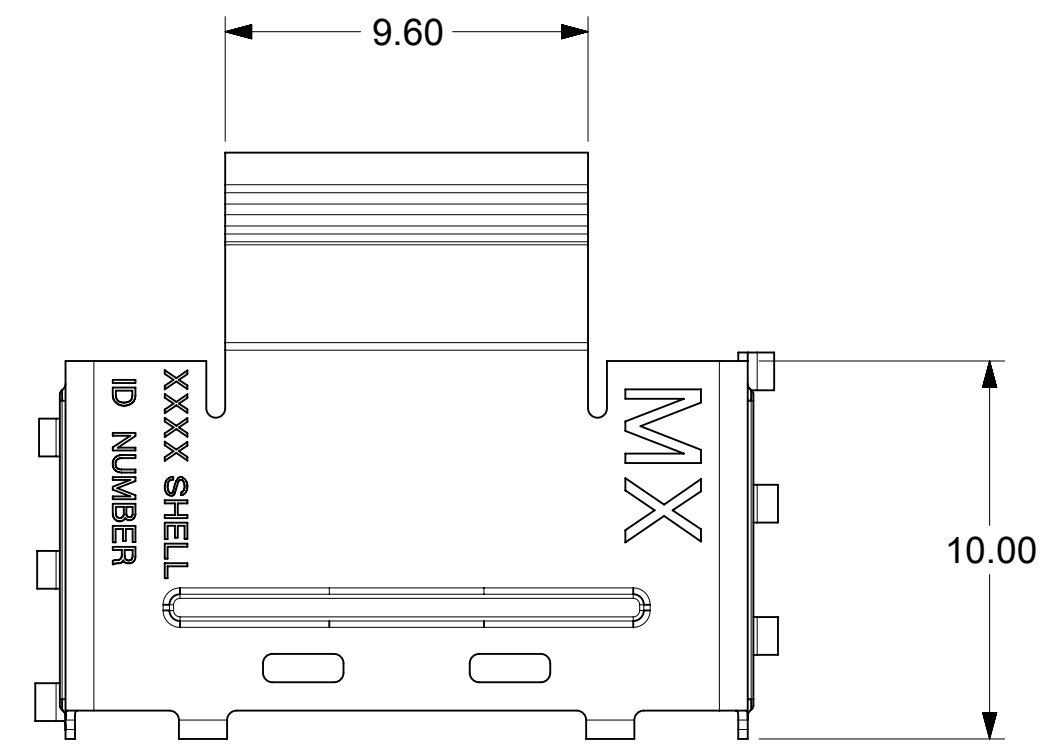
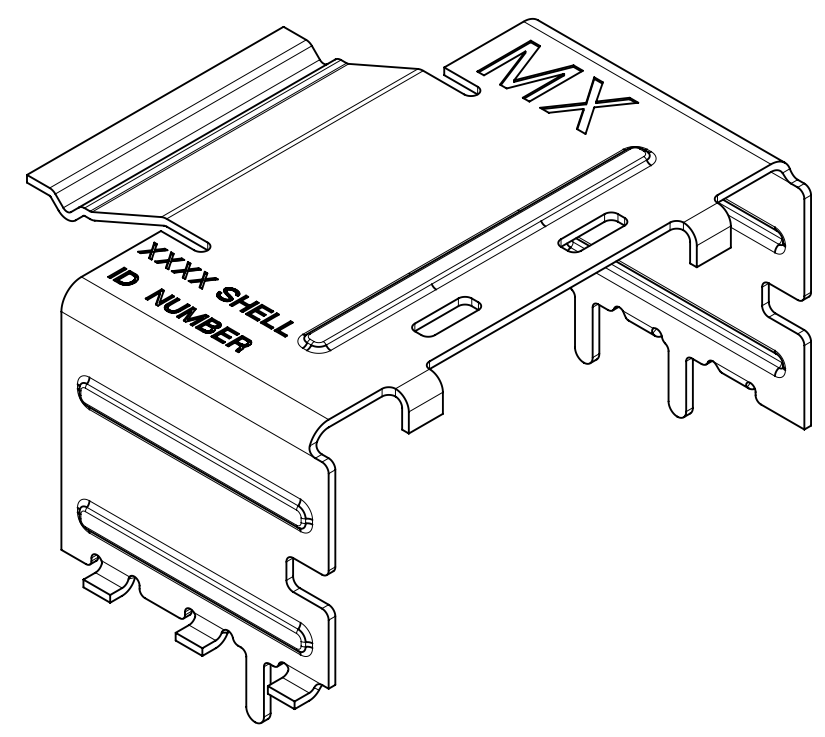
UNIVERSAL = NO KEY

- NOTES:
1. MATERIAL: SILVER NICKEL, THICKNESS: 0.250/0.254
 2. TO BE USED WITH CONNECTOR SERIES 75586, CABLE SERIES 79575/74563/79576/74573/79536/74562/74569/74586
 3. PACKAGED PER PACKAGING SPECIFICATION PK-76010-001
 4. DATE CODE WILL APPEAR ON SHIPPING CARTON ONLY

iPass™ IS A TRADEMARK OF MOLEX

THIS DRAWING CONTAINS INFORMATION THAT IS PROPRIETARY TO MOLEX ELECTRONIC TECHNOLOGIES, LLC AND SHOULD NOT BE USED WITHOUT WRITTEN PERMISSION			
DIMENSION UNITS MM	SCALE 5:1	CURRENT REV DESC: OBSOLETE PART NUMBER	
GENERAL TOLERANCES (UNLESS SPECIFIED)		<p>I-PASS SHELL RIGHT ANGLE INTERNAL CABLE</p> <p>PRODUCT CUSTOMER DRAWING</p>	
4 PLACES	±		
3 PLACES	± 0.13		
2 PLACES	± 0.13		
1 PLACE	± 0.25		
0 PLACES	±	EC NO: 632260 DRWN: AKUMAR19 2020/02/07 CHK'D: GGA 2020/02/28 APPR: GGA 2020/02/28	
ANGULAR TOL	± 0.5°	INITIAL REVISION: DRWN: JLSWENSON 2006/02/16 APPR: MBANAKIS 2006/02/16	
DRAFT WHERE APPLICABLE MUST REMAIN WITHIN DIMENSIONS		THIRD ANGLE PROJECTION	DRAWING SERIES
			C-SIZE 76010
DOCUMENT NUMBER		DOC TYPE	DOC PART
SD-76010-001		PSD	001
MATERIAL NUMBER		CUSTOMER	SHEET NUMBER
SEE TABLE		GENERAL MARKET	1 OF 7
REVISION			
D1			

SMT SHELL



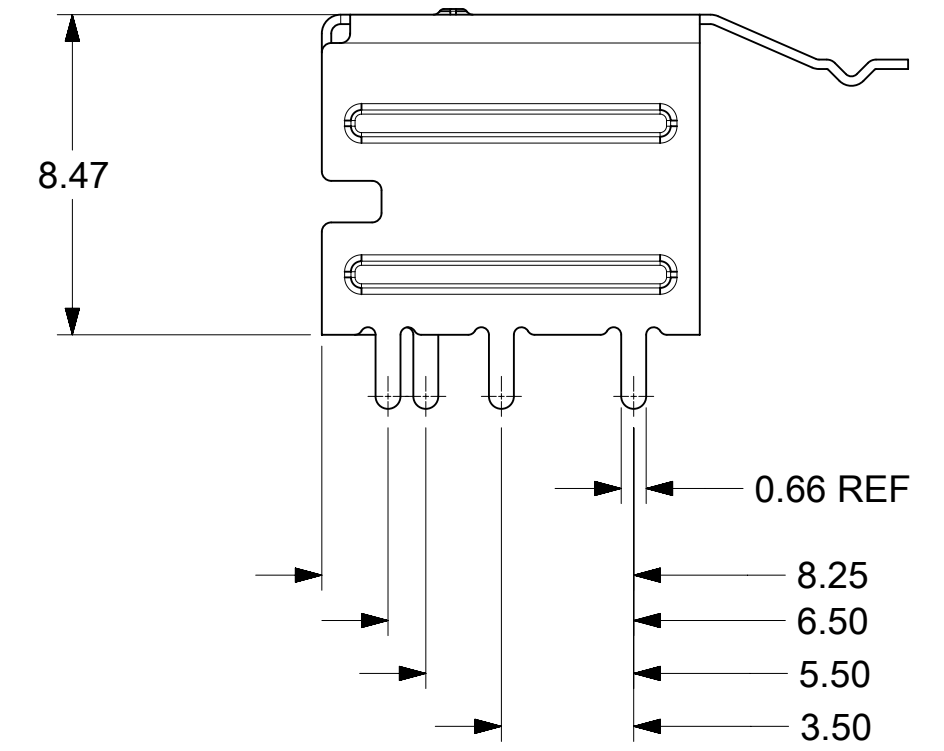
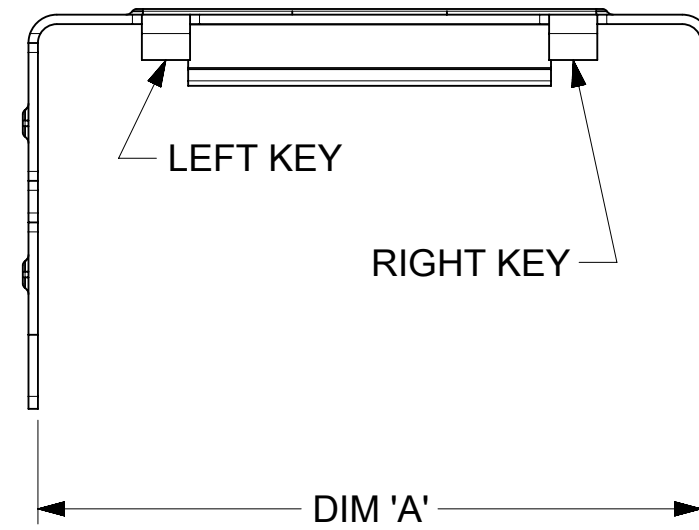
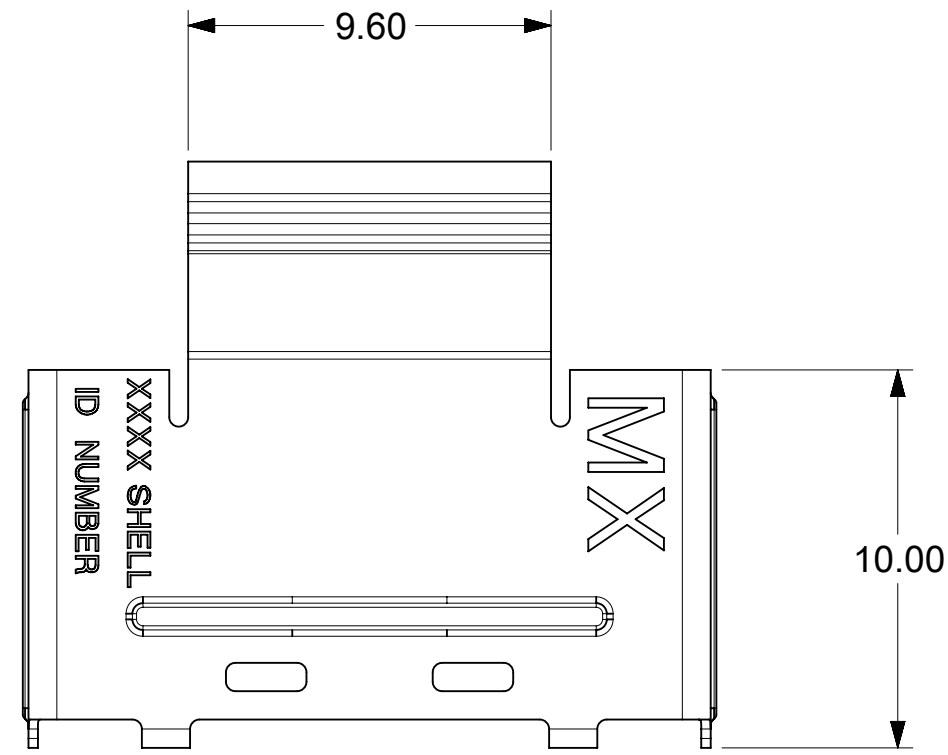
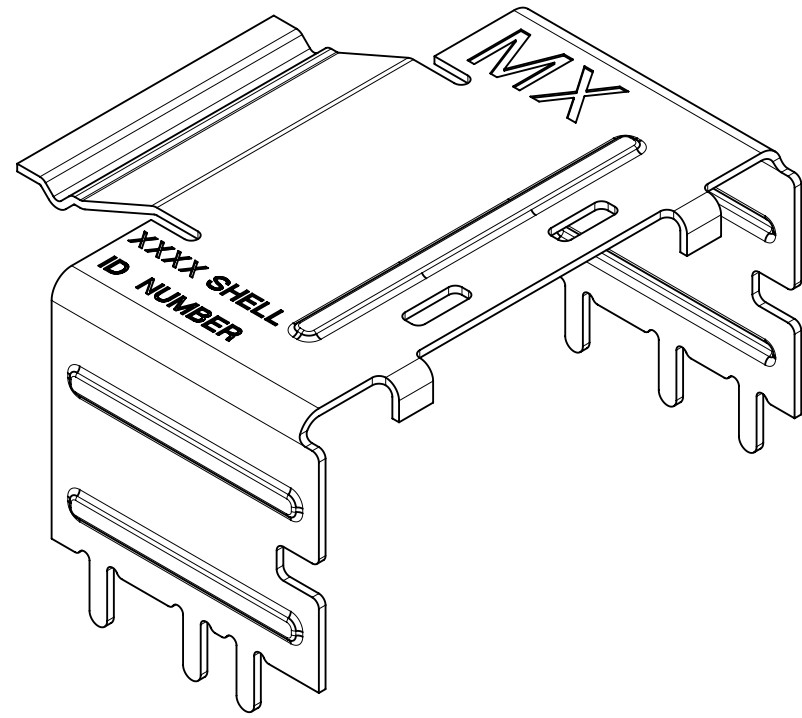
ITEM NUMBER	CIRCUIT SIZE	DIM 'A'	KEY
76010-5001	26	13.55	LEFT
76010-5011	26	13.55	RIGHT
76010-5021	26	13.55	DUAL
76010-5101	36	17.55	LEFT
76010-5111	36	17.55	RIGHT
76010-5121	36	17.55	DUAL
76010-5131	36	17.55	UNIVERSAL
76010-5201	50	23.15	LEFT
76010-5211	50	23.15	RIGHT
76010-5221	50	23.15	DUAL
76010-5301	68	30.35	LEFT
76010-5311	68	30.35	RIGHT
76010-5321	68	30.35	DUAL
76010-5231	50	23.15	UNIVERSAL
76010-5331	68	30.35	UNIVERSAL

UNIVERSAL = NO KEY

iPass™ IS A TRADEMARK OF MOLEX

THIS DRAWING CONTAINS INFORMATION THAT IS PROPRIETARY TO MOLEX ELECTRONIC TECHNOLOGIES, LLC AND SHOULD NOT BE USED WITHOUT WRITTEN PERMISSION											
DIMENSION UNITS		SCALE		CURRENT REV DESC: OBSOLETE PART NUMBER							
MM		5:1		NUMBER							
GENERAL TOLERANCES (UNLESS SPECIFIED)				EC NO: 632260		DRWN: AKUMAR19		2020/02/07		I-PASS SHELL RIGHT ANGLE INTERNAL CABLE PRODUCT CUSTOMER DRAWING	
4 PLACES ±				DRWN: GGA		2020/02/28					
3 PLACES ± 0.13				APPR: GGA		2020/02/28		DOCUMENT NUMBER		DOC TYPE DOC PART REVISION	
2 PLACES ± 0.13				INITIAL REVISION:		DRWN: JLSWENSON		2006/02/16		SD-76010-001	
1 PLACE ± 0.25				APPR: MBANAKIS		2006/02/16		MATERIAL NUMBER		CUSTOMER	
0 PLACES ±				ANGULAR TOL ± 0.5°		THIRD ANGLE PROJECTION		DRAWING		SERIES	
DRAFT WHERE APPLICABLE MUST REMAIN WITHIN DIMENSIONS				C-SIZE		76010		SEE TABLE		GENERAL MARKET	
										SHEET NUMBER	
										2 OF 7	

THROUGH HOLE SHELL (PART NUMBERS ON SHEET 4)



iPass™ IS A TRADEMARK OF MOLEX

THIS DRAWING CONTAINS INFORMATION THAT IS PROPRIETARY TO MOLEX ELECTRONIC TECHNOLOGIES, LLC AND SHOULD NOT BE USED WITHOUT WRITTEN PERMISSION												
DIMENSION UNITS MM		SCALE 5:1		CURRENT REV DESC: OBSOLETE PART NUMBER				molex				
GENERAL TOLERANCES (UNLESS SPECIFIED)				EC NO: 632260								
		MM	INCH	DRWN: AKUMAR19		2020/02/07		I-PASS SHELL RIGHT ANGLE INTERNAL CABLE				
4 PLACES		±	±	CHK'D: GGA		2020/02/28						
3 PLACES		±	0.13	APPR: GGA		2020/02/28		PRODUCT CUSTOMER DRAWING				
2 PLACES		±	0.13	INITIAL REVISION:								
1 PLACE		±	0.25	DRWN: JLSWENSON		2006/02/16		DOCUMENT NUMBER SD-76010-001				
0 PLACES		±	±	APPR: MBANAKIS		2006/02/16				DOC TYPE PSD	DOC PART 001	REVISION D1
ANGULAR TOL		± 0.5 °		THIRD ANGLE PROJECTION		DRAWING C-SIZE		SERIES 76010		MATERIAL NUMBER SEE TABLE	CUSTOMER GENERAL MARKET	SHEET NUMBER 3 OF 7

DOCUMENT STATUS	P1	RELEASE DATE	2020/02/28	02:41:35
-----------------	----	--------------	------------	----------

THROUGH HOLE SHELL (PART NUMBERS)

ITEM NUMBER	CIRCUIT SIZE	DIM 'A'	DIM 'B'	KEY
76010-5002	26	13.55	1.96	LEFT
76010-5012	26	13.55	1.96	RIGHT
76010-5022	26	13.55	1.96	DUAL
76010-5102	36	17.55	1.96	LEFT
76010-5112	36	17.55	1.96	RIGHT
76010-5122	36	17.55	1.96	DUAL
76010-5103	36	17.55	2.79	LEFT
76010-5113	36	17.55	2.79	RIGHT
76010-5123	36	17.55	2.79	DUAL
76010-5104	36	17.55	3.18	LEFT
76010-5114	36	17.55	3.18	RIGHT
76010-5124	36	17.55	3.18	DUAL
76010-5134	36	17.55	3.18	UNIVERSAL
76010-5141	36	17.55	3.56	LEFT
76010-5151	36	17.55	3.56	RIGHT
76010-5161	36	17.55	3.56	DUAL
76010-5171	36	17.55	3.56	UNIVERSAL
76010-5202	50	23.15	1.96	LEFT
76010-5212	50	23.15	1.96	RIGHT
76010-5222	50	23.15	1.96	DUAL
76010-5302	68	30.35	1.96	LEFT
76010-5312	68	30.35	1.96	RIGHT
76010-5322	68	30.35	1.96	DUAL
76010-5232	50	23.15	1.96	UNIVERSAL
76010-5332	68	30.35	1.96	UNIVERSAL

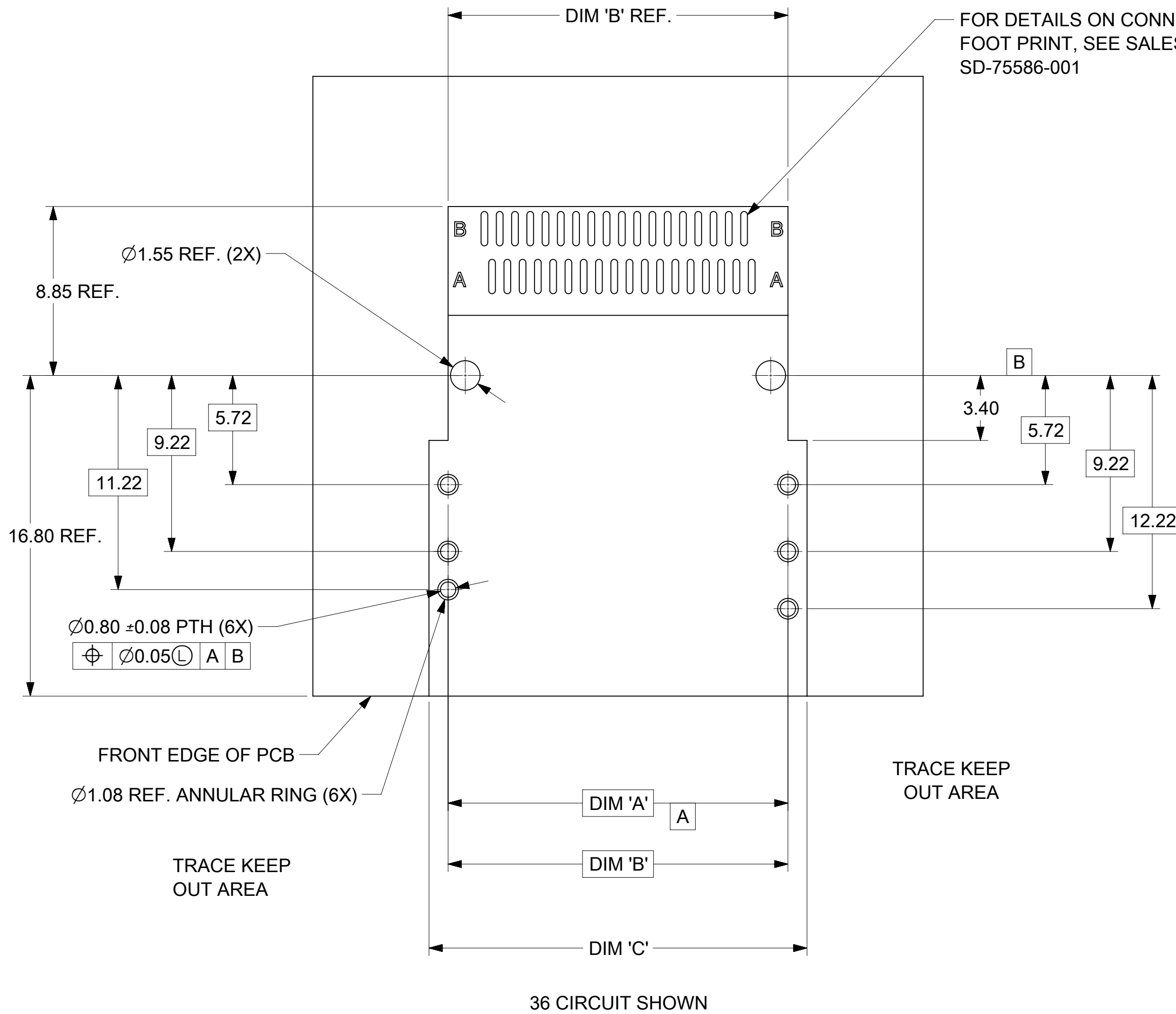
ITEM NUMBER	CIRCUIT SIZE	DIM 'A'	DIM 'B'	KEY
76010-5003	26	13.55	2.79	LEFT
76010-5013	26	13.55	2.79	RIGHT
76010-5023	26	13.55	2.79	DUAL
76010-5033	26	13.55	2.79	UNIVERSAL
76010-5004	26	13.55	3.18	LEFT
76010-5014	26	13.55	3.18	RIGHT
76010-5024	26	13.55	3.18	DUAL
76010-5034	26	13.55	3.18	UNIVERSAL
76010-5203	50	23.15	2.79	LEFT
76010-5213	50	23.15	2.79	RIGHT
76010-5223	50	23.15	2.79	DUAL
76010-5233	50	23.15	2.79	UNIVERSAL
76010-5204	50	23.15	3.18	LEFT
76010-5214	50	23.15	3.18	RIGHT
76010-5224	50	23.15	3.18	DUAL
76010-5234	50	23.15	3.18	UNIVERSAL
76010-5303	68	30.35	2.79	LEFT
76010-5313	68	30.35	2.79	RIGHT
76010-5323	68	30.35	2.79	DUAL
76010-5333	68	30.35	2.79	UNIVERSAL
76010-5304	68	30.35	3.18	LEFT
76010-5314	68	30.35	3.18	RIGHT
76010-5324	68	30.35	3.18	DUAL
76010-5334	68	30.35	3.18	UNIVERSAL

UNIVERSAL = NO KEY

iPass™ IS A TRADEMARK OF MOLEX

THIS DRAWING CONTAINS INFORMATION THAT IS PROPRIETARY TO MOLEX ELECTRONIC TECHNOLOGIES, LLC AND SHOULD NOT BE USED WITHOUT WRITTEN PERMISSION									
DIMENSION UNITS MM		SCALE 1:1		CURRENT REV DESC: OBSOLETE PART NUMBER				molex	
GENERAL TOLERANCES (UNLESS SPECIFIED)				EC NO: 632260					
4 PLACES ±		MM		INCH		DRWN: AKUMAR19		2020/02/07	
3 PLACES ±		0.13		±		CHK'D: GGA		2020/02/28	
2 PLACES ±		0.13		±		APPR: GGA		2020/02/28	
1 PLACE ±		0.25		±		INITIAL REVISION:			
0 PLACES ±						DRWN: JLSWENSON		2006/02/16	
ANGULAR TOL ±		0.5 °				APPR: MBANAKIS		2006/02/16	
DRAFT WHERE APPLICABLE MUST REMAIN WITHIN DIMENSIONS				THIRD ANGLE PROJECTION		DRAWING		SERIES	
						C-SIZE		76010	
DOCUMENT NUMBER		DOC TYPE		DOC PART		REVISION			
SD-76010-001		PSD		001		D1			
MATERIAL NUMBER		CUSTOMER		SHEET NUMBER					
SEE TABLE		GENERAL MARKET		4 OF 7					

RIGHT ANGLE RETENTION FIT AND THROUGH HOLE SHELL PCB FOOT PRINT



CIRCUIT SIZE	CONNECTOR PEG TO PEG		
	DIM 'A'	DIM 'B'	DIM 'C'
26	12.00	13.80	16.80
36	16.00	17.80	20.80
50	21.60	23.40	25.40
68	28.80	30.60	32.60

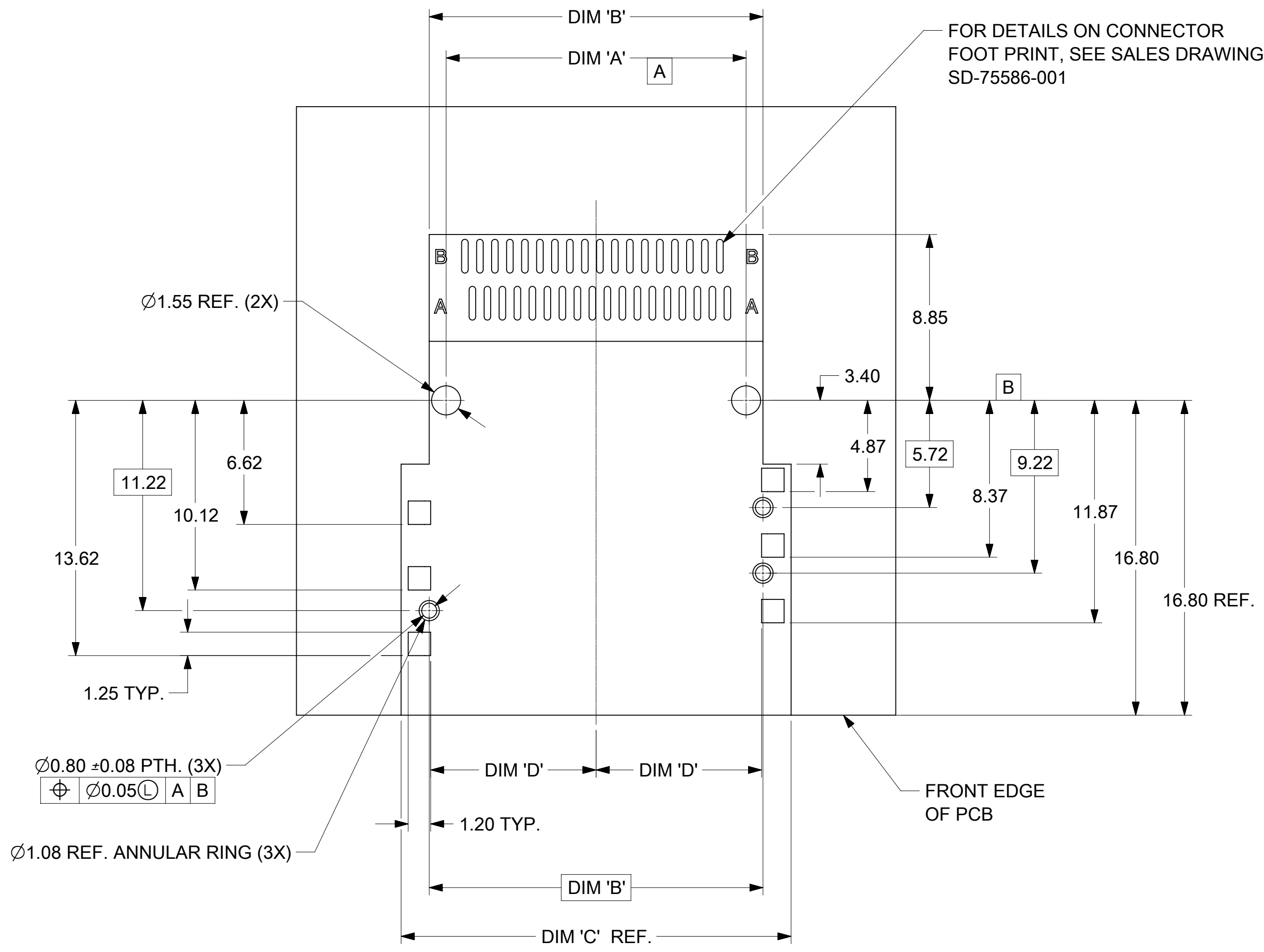
36 CIRCUIT SHOWN

iPass™ IS A TRADEMARK OF MOLEX

THIS DRAWING CONTAINS INFORMATION THAT IS PROPRIETARY TO MOLEX ELECTRONIC TECHNOLOGIES, LLC AND SHOULD NOT BE USED WITHOUT WRITTEN PERMISSION									
DIMENSION UNITS MM		SCALE 5:1		CURRENT REV DESC: OBSOLETE PART NUMBER				molex	
GENERAL TOLERANCES (UNLESS SPECIFIED)				EC NO: 632260					
4 PLACES	±	MM	INCH	DRWN: AKUMAR19		2020/02/07		I-PASS SHELL RIGHT ANGLE INTERNAL CABLE	
3 PLACES	±	0.13	±	CHK'D: GGA		2020/02/28		PRODUCT CUSTOMER DRAWING	
2 PLACES	±	0.13	±	APPR: GGA		2020/02/28		DOCUMENT NUMBER	
1 PLACE	±	0.25	±	INITIAL REVISION:				SD-76010-001	
0 PLACES	±		±	DRWN: JLSWENSON		2006/02/16		DOC TYPE	
ANGULAR TOL ± 0.5 °				APPR: MBANAKIS		2006/02/16		DOC PART	
DRAFT WHERE APPLICABLE MUST REMAIN WITHIN DIMENSIONS		THIRD ANGLE PROJECTION		DRAWING		SERIES		REVISION	
		C-SIZE		76010		MATERIAL NUMBER		DOC PART	
						CUSTOMER		REVISION	
						GENERAL MARKET		D1	
						SEE TABLE		SHEET NUMBER	
								5 OF 7	

DOCUMENT STATUS	P1	RELEASE DATE	2020/02/28	02:41:35
-----------------	----	--------------	------------	----------

RIGHT ANGLE SMT SHELL PCB FOOT PRINT



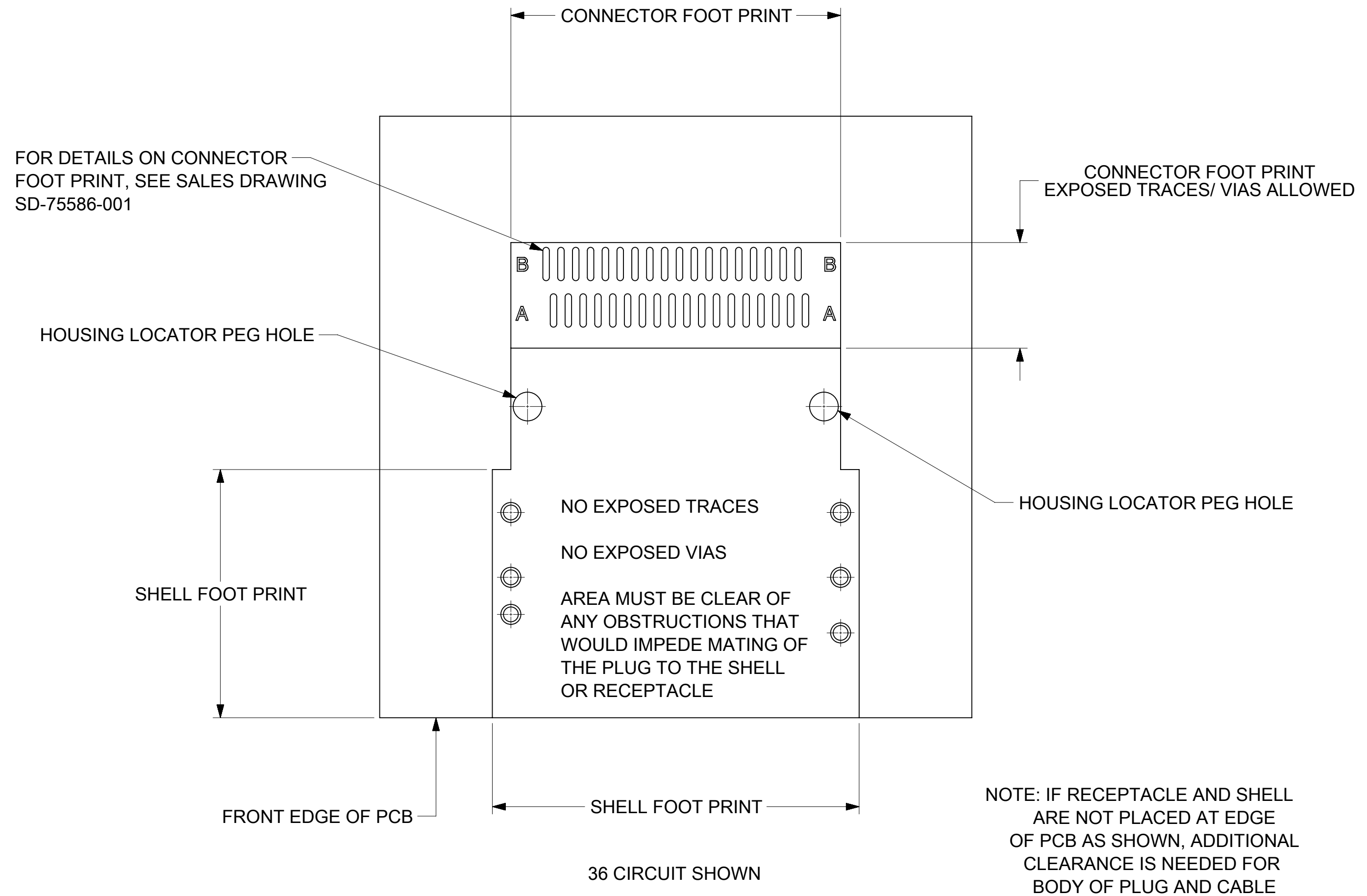
CIRCUIT SIZE	DIMENSIONS			
	CONNECTOR PEG TO PEG	SHELL PEG TO PEG	SHELL FOOT PRINT WIDTH	CENTERLINE TO PAD EDGE
	DIM 'A'	DIM 'B'	DIM 'C'	DIM 'D'
26	12.00	13.80	16.80	6.825
36	16.00	17.80	20.80	8.825
50	21.60	23.40	26.40	11.625
68	28.80	30.60	33.60	15.225

36 CIRCUIT SHOWN

iPass™ IS A TRADEMARK OF MOLEX

THIS DRAWING CONTAINS INFORMATION THAT IS PROPRIETARY TO MOLEX ELECTRONIC TECHNOLOGIES, LLC AND SHOULD NOT BE USED WITHOUT WRITTEN PERMISSION									
DIMENSION UNITS MM		SCALE 5:1		CURRENT REV DESC: OBSOLETE PART NUMBER				molex	
GENERAL TOLERANCES (UNLESS SPECIFIED)				EC NO: 632260					
4 PLACES ±		±		DRWN: AKUMAR19 2020/02/07				I-PASS SHELL RIGHT ANGLE INTERNAL CABLE	
3 PLACES ± 0.13		±		CHK'D: GGA 2020/02/28				PRODUCT CUSTOMER DRAWING	
2 PLACES ± 0.13		±		APPR: GGA 2020/02/28				DOCUMENT NUMBER	
1 PLACE ± 0.25		±		INITIAL REVISION:				SD-76010-001	
0 PLACES ±		±		DRWN: JLSWENSON 2006/02/16				DOC TYPE DOC PART REVISION	
ANGULAR TOL ± 0.5°		±		APPR: MBANAKIS 2006/02/16				PSD 001 D1	
DRAFT WHERE APPLICABLE MUST REMAIN WITHIN DIMENSIONS		THIRD ANGLE PROJECTION		DRAWING		SERIES		MATERIAL NUMBER CUSTOMER SHEET NUMBER	
		C-SIZE		76010		SEE TABLE GENERAL MARKET		6 OF 7	

RIGHT ANGLE SHELL PCB FOOT PRINT DESCRIPTIONS



iPass™ IS A TRADEMARK OF MOLEX

THIS DRAWING CONTAINS INFORMATION THAT IS PROPRIETARY TO MOLEX ELECTRONIC TECHNOLOGIES, LLC AND SHOULD NOT BE USED WITHOUT WRITTEN PERMISSION															
DIMENSION UNITS		SCALE		CURRENT REV DESC: OBSOLETE PART NUMBER											
MM		5:1		molex I-PASS SHELL RIGHT ANGLE INTERNAL CABLE PRODUCT CUSTOMER DRAWING											
GENERAL TOLERANCES (UNLESS SPECIFIED)										EC NO: 632260		DRWN: AKUMAR19		2020/02/07	
4 PLACES		±	±							DRWN: GGA		2020/02/28		APP: GGA	
3 PLACES		±	0.13							APP: GGA		2020/02/28		INITIAL REVISION:	
2 PLACES		±	0.13							DRWN: JLSWENSON		2006/02/16		APP: MBANAKIS	
1 PLACE		±	0.25	APP: MBANAKIS		2006/02/16		DOCUMENT NUMBER							
0 PLACES		±	±	ANGULAR TOL ± 0.5°		THIRD ANGLE PROJECTION		DRAWING							
DRAFT WHERE APPLICABLE MUST REMAIN WITHIN DIMENSIONS				C-SIZE		SERIES		MATERIAL NUMBER							
						76010		CUSTOMER							
								GENERAL MARKET							
								SHEET NUMBER							
								7 OF 7							

DOCUMENT STATUS	P1	RELEASE DATE	2020/02/28	02:41:35
-----------------	----	--------------	------------	----------