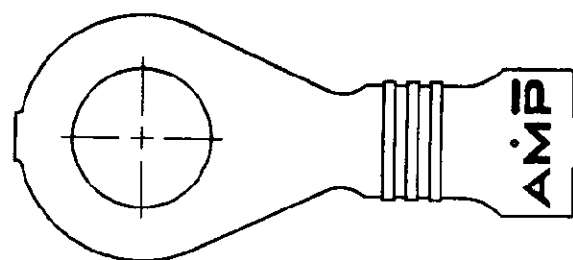
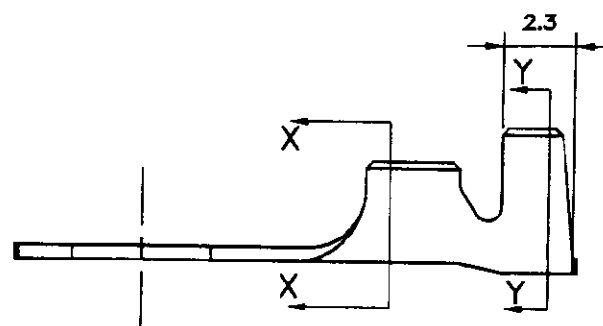
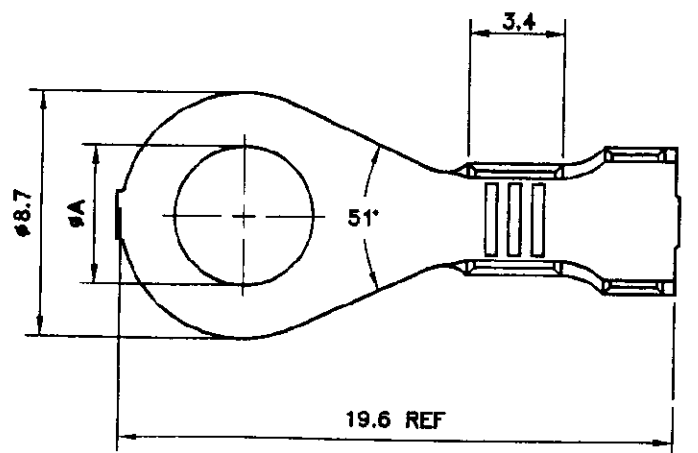
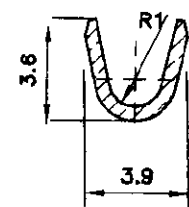


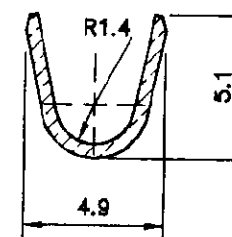
DRAWING MADE IN THIRD ANGLE PROJECTION



1 OBSOLETE PARTS: OBSOLETE CIS STREAMLINING PER D.RENAUD/D.SINISI



SECTION X-X



SECTION Y-Y

1	OBSOLETE	Ø6.2	-	-	NICKEL SILVER SIZE 0.4±0.013X11.43±0.050	190225-4
	OBSOLETE	Ø5.2	-	-	PRE TIN BRASS SIZE 0.5±0.03X11.43±0.050	190225-3
		Ø5	-	-	PRE TIN BRASS SIZE 0.5±0.03X11.43±0.050	190225-2
	OBSOLETE	Ø5	-	-	PRE TIN BRASS SIZE 0.5±0.03X11.43±0.050	190225-0
		Ø A	REMARKS	FINISH	MATERIAL	PART No

WIRE RANGE 0.5-1.3 sq.mm
INSULATION RANGE Ø2.54-3.56 mm

ALL DIMENSIONS ARE IN mm TOLERANCES UNLESS OTHERWISE SPECIFIED ARE AS FOLLO
DIM INCLUDING & UP TO 0-6 6-30 30-120 120-315 >315
TOLERANCE ± 0.1 0.2 0.3 0.5 0.8 ANGLES ±0° 30°

SIZE AS PER TABLE

DATE 11/04/94 CHK VK

DR RB APP BL

AMP Australia AMP Pty. Limited
Hubson Avenue, CASTLE HILL NSW

NAME RING TONGUE

LOC CODE U

SCALE AS 4:1 or SHOWN
SIZE A3 DWG No. C-190225

SHEET 1 OF 1 REV K1

CONTROLLED

THIS INFORMATION IS CONFIDENTIAL AND DISCLOSED TO YOU ON CONDITION THAT NO FURTHER DISCLOSURE IS MADE BY YOU TO OTHER THAN AMP PERSONNEL WITHOUT WRITTEN AUTHORIZATION FROM AUSTRALIAN AMP

ORIGINAL