

GW PL HART8-R-BUS - Protocol converter



2702880

<https://www.phoenixcontact.com/us/products/2702880>

Please be informed that the data shown in this PDF document is generated from our online catalog. Please find the complete data in the user documentation. Our general terms of use for downloads are valid.



Eight-channel HART[®] expansion module, with screw connection, with 250 Ω internal input resistors

Commercial data

Item number	2702880
Packing unit	1 pc
Sales key	DN11
Product key	DNC322
GTIN	4055626384795
Weight per piece (including packing)	313.6 g
Weight per piece (excluding packing)	310 g
Customs tariff number	85176200
Country of origin	DE

GW PL HART8-R-BUS - Protocol converter

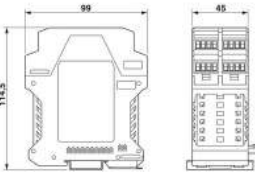


2702880

<https://www.phoenixcontact.com/us/products/2702880>

Technical data

Dimensions

Dimensional drawing	
Width	45 mm
Height	99 mm
Depth	114.5 mm

Material specifications

Color	gray
-------	------

Interfaces

Data: HART FSK

Transmission speed	1200 bps
Connection method	Screw connection
No. of channels	8

Product properties

Product type	I/O component
MTBF	272 Years (Siemens model SN29500, temperature 40°C, env. factor 1.5 and stress factor 50%)

Electrical properties

Test voltage data interface/power supply	500 V AC
Test voltage data interfaces	500 V AC

Supply

Typical current consumption	46 mA (at 24 V DC)
-----------------------------	--------------------

Environmental and real-life conditions

Ambient conditions

Degree of protection	IP20
Ambient temperature (operation)	-40 °C ... 70 °C -40 °F ... 158 °F
Ambient temperature (storage/transport)	-40 °C ... 85 °C

Approvals

Conformity/Approvals

GW PL HART8-R-BUS - Protocol converter



2702880

<https://www.phoenixcontact.com/us/products/2702880>

Conformance	CE-compliant
Noxious gas test	ISA-S71.04-1985 G3 Harsh Group A

Mounting

Mounting type	DIN rail mounting
Assembly instructions	on standard DIN rail NS 35 in accordance with EN 60715
Mounting position	any

GW PL HART8-R-BUS - Protocol converter

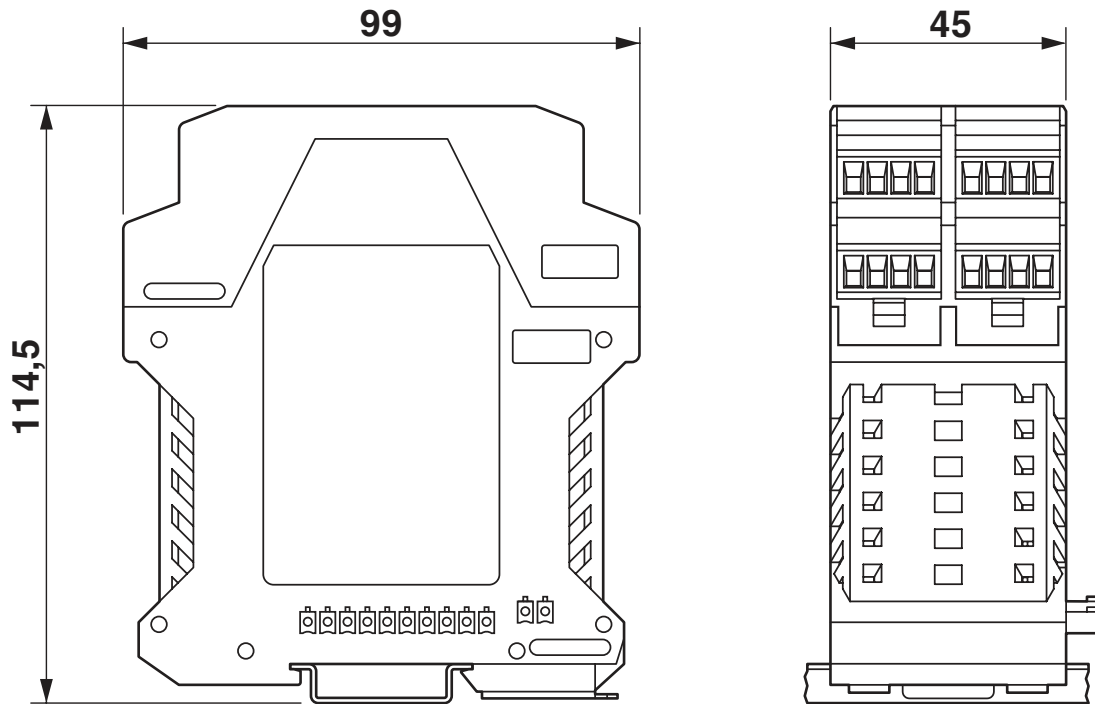
2702880

<https://www.phoenixcontact.com/us/products/2702880>

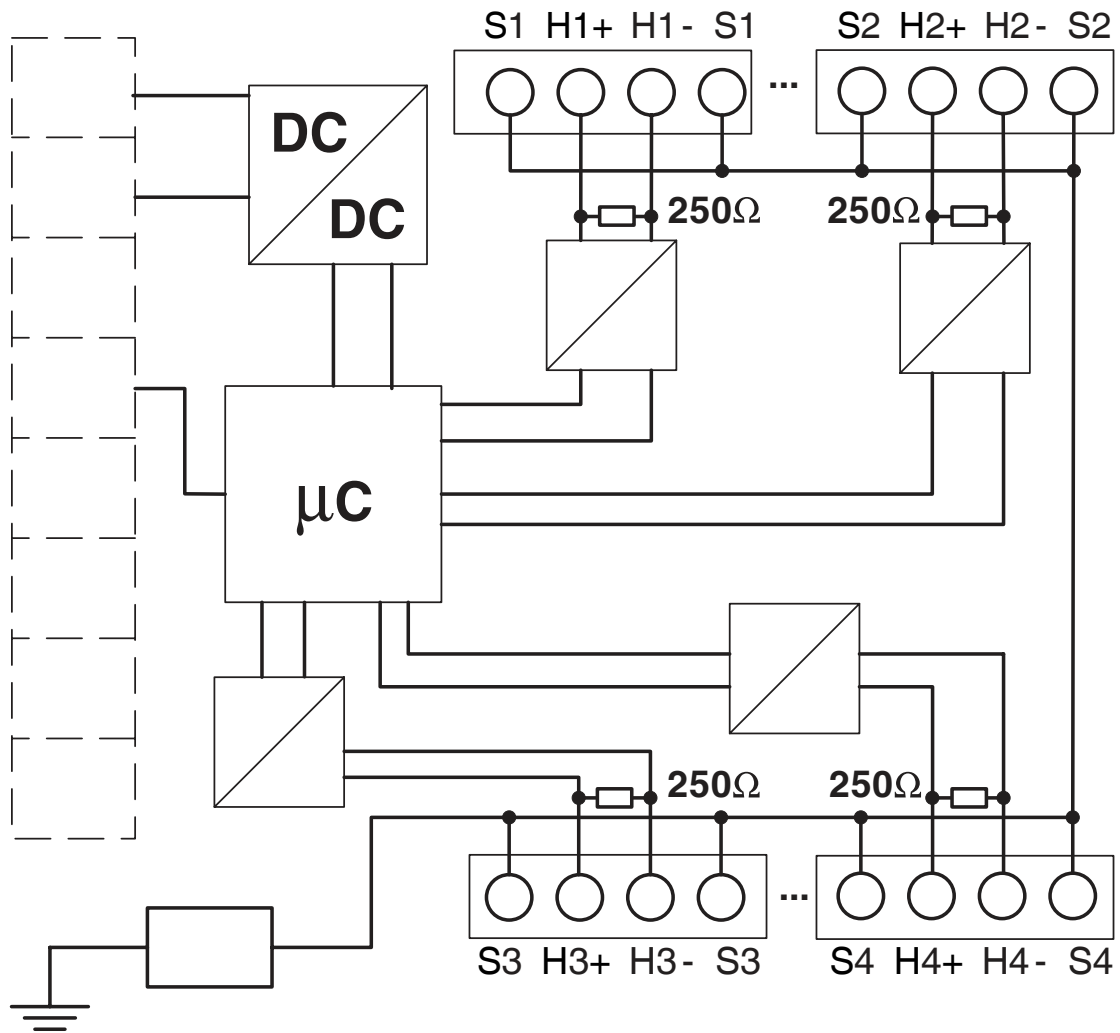


Drawings

Dimensional drawing



Block diagram



GW PL HART8-R-BUS - Protocol converter



2702880

<https://www.phoenixcontact.com/us/products/2702880>

Classifications

ECLASS

ECLASS-12.0	27242208
ECLASS-13.0	27242208
ECLASS-11.0	27242208

ETIM

ETIM 8.0	EC001423
----------	----------

UNSPSC

UNSPSC 21.0	32151700
-------------	----------

GW PL HART8-R-BUS - Protocol converter



2702880

<https://www.phoenixcontact.com/us/products/2702880>

Environmental product compliance

China RoHS	Environmentally Friendly Use Period = 50 years For information on hazardous substances, refer to the manufacturer's declaration available under "Downloads"
------------	--

GW PL HART8-R-BUS - Protocol converter



2702880

<https://www.phoenixcontact.com/us/products/2702880>

Mandatory accessories

GW PL ETH/UNI-BUS - Ethernet HART multiplexer

2702233

<https://www.phoenixcontact.com/us/products/2702233>



Ethernet head station for modular HART gateway. Connect up to five GW PL HART...-BUS expansion modules to communicate with up to 40 HART devices. Supports Modbus TCP, OPC UA, PROFINET, HART IP, FDT/DTM and Arcom.

GW PL ETH/BASIC-BUS - Ethernet HART multiplexer

2702321

<https://www.phoenixcontact.com/us/products/2702321>



Ethernet head station for modular HART gateway. Connect up to five GW PL HART...-BUS expansion modules to communicate with up to 40 HART devices. Supports Modbus TCP, HART IP, FDT/DTM and Arcom.

Accessories

GW PL HART8-R-BUS - Protocol converter

2702880

<https://www.phoenixcontact.com/us/products/2702880>



GW PL HART8-BUS - Protocol converter

2702235

<https://www.phoenixcontact.com/us/products/2702235>



Eight-channel HART[®] expansion module, with screw connection

GW PL HART8+AI-BUS - Protocol converter

2702236

<https://www.phoenixcontact.com/us/products/2702236>



Eight-channel HART[®] expansion module with analog loop supply and screw connection

GW PL HART8-R-BUS - Protocol converter

2702880

<https://www.phoenixcontact.com/us/products/2702880>



GW PL DIO4-BUS - Protocol converter

2702237

<https://www.phoenixcontact.com/us/products/2702237>



Four-channel digital input and four-channel digital output module with screw connection. For use with Modbus and OPC UA protocols.

GW PL ETH/UNI-BUS - Ethernet HART multiplexer

2702233

<https://www.phoenixcontact.com/us/products/2702233>



Ethernet head station for modular HART gateway. Connect up to five GW PL HART...-BUS expansion modules to communicate with up to 40 HART devices. Supports Modbus TCP, OPC UA, PROFINET, HART IP, FDT/DTM and Arcom.

GW PL HART8-R-BUS - Protocol converter

2702880

<https://www.phoenixcontact.com/us/products/2702880>



GW PL ETH/BASIC-BUS - Ethernet HART multiplexer

2702321

<https://www.phoenixcontact.com/us/products/2702321>



Ethernet head station for modular HART gateway. Connect up to five GW PL HART...-BUS expansion modules to communicate with up to 40 HART devices. Supports Modbus TCP, HART IP, FDT/DTM and Arcom.

GW PL HART4-R-BUS - Protocol converter

2702879

<https://www.phoenixcontact.com/us/products/2702879>



Four-channel HART[®] expansion module, with screw connection, with 250 Ω internal input resistors

GW PL HART8-R-BUS - Protocol converter

2702880

<https://www.phoenixcontact.com/us/products/2702880>



GW PL HART4-BUS - Protocol converter

2702234

<https://www.phoenixcontact.com/us/products/2702234>

Four-channel HART[®] expansion module, with screw connection



Phoenix Contact 2023 © - all rights reserved

<https://www.phoenixcontact.com>

Phoenix Contact USA
586 Fulling Mill Road
Middletown, PA 17057, United States
(+717) 944-1300
info@phoenixcon.com