

MOLEX P/N	LENGTH	TOLERANCE (mm)	AWG	IMPEDANCE	EE SPEC	LABEL CONTEXT
2073702001	300mm	±10	32	100 OHMS	SAS 4.0	SAS4.0 100 Ohm
2073702002	1000mm	±15	32	100 OHMS	SAS 4.0	SAS4.0 100 Ohm
2073702301	300mm	±10	32	100 OHMS	SAS 3.0	SAS3.0 100 Ohm
2073702302	1000mm	±15	32	100 OHMS	SAS 3.0	SAS3.0 100 Ohm
2073722001	300mm	±10	32	85 OHMS	PCle 4.0	PCle4.0 85 Ohm
2073722002	1000mm	±15	32	85 OHMS	PCle 4.0	PCle4.0 85 Ohm

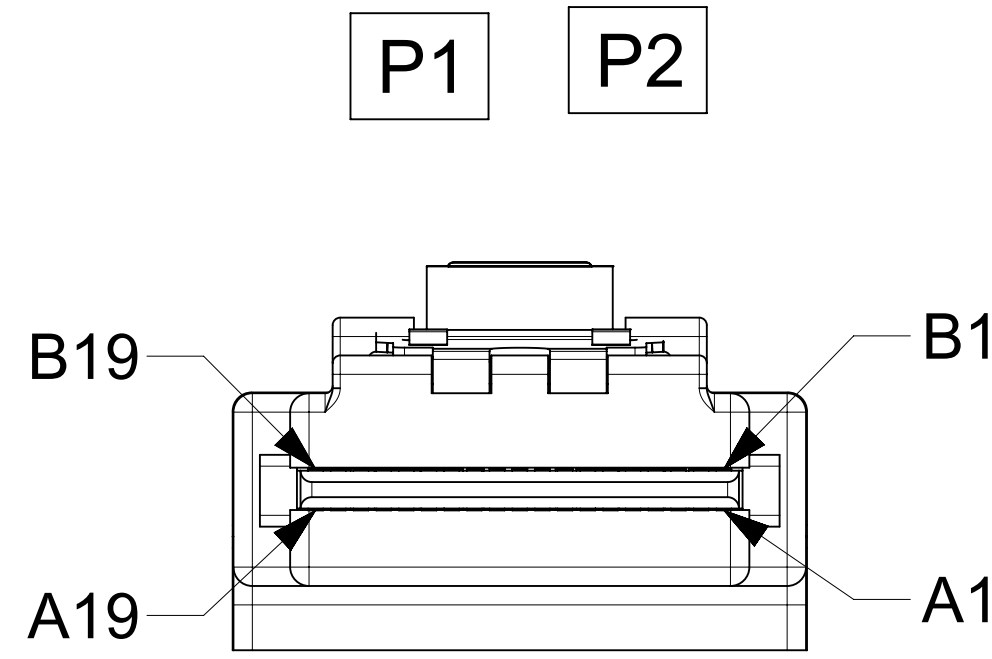
NOTES:

- MATERIAL:
  - HOUSING - PC 94V-0 BLACK
  - LATCH - STAINLESS STEEL
  - EXPANDO - PET
  - CABLE - SHIELD: ALUMINIZED POLYESTER FOIL
    - SIGNAL PAIR : SILVER-COATED COPPER
    - DRAIN: TIN-COATED COPPER
    - CONFORMS TO VW1
  - PCB - FR4 (HALOGEN FREE)
- THIS PRODUCT CONFORMS TO THE MECHANICAL DIMENSIONING OF SFF-8654
- RoHS COMPLIANT. NO EXEMPTIONS

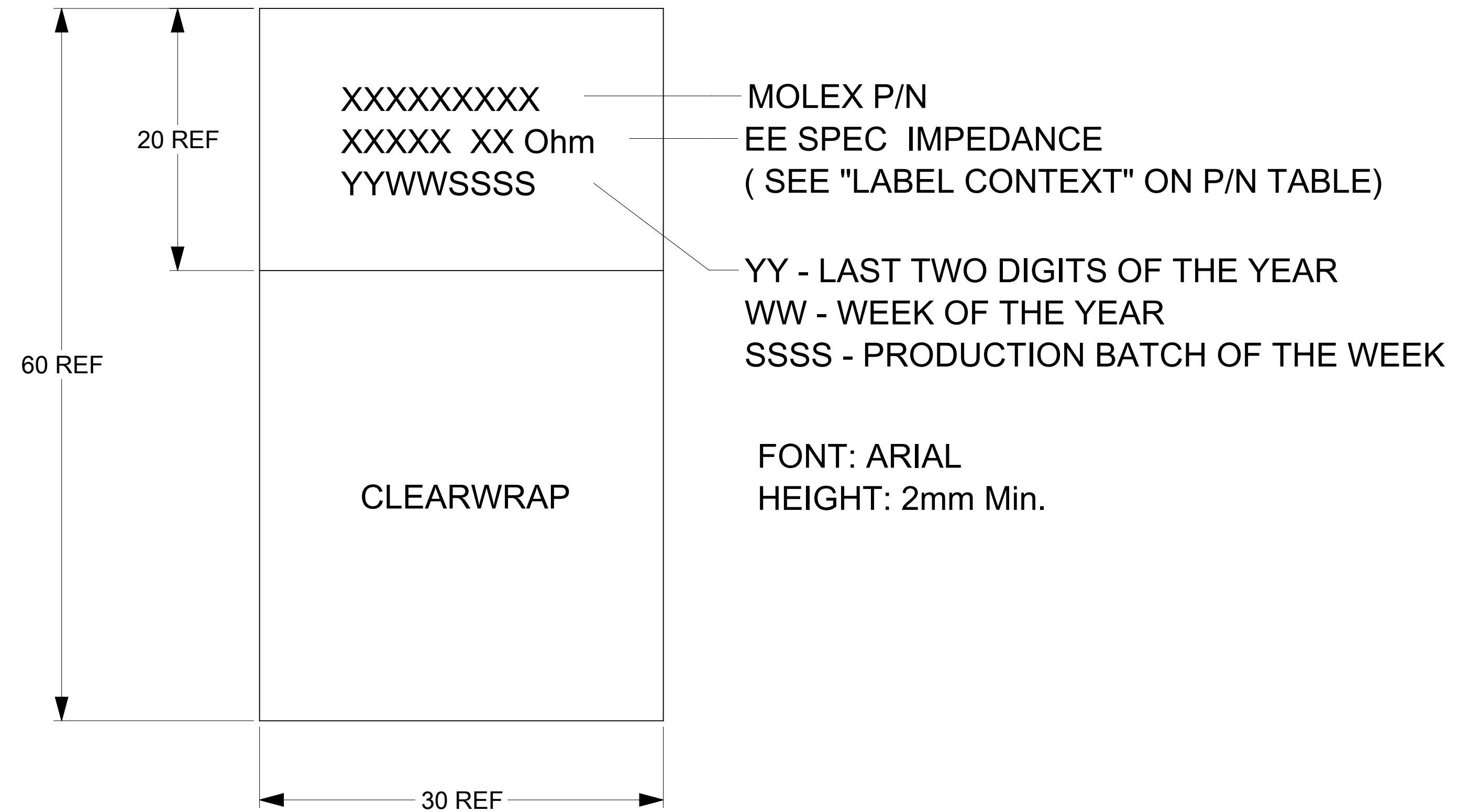
THIS DRAWING CONTAINS INFORMATION THAT IS PROPRIETARY TO MOLEX ELECTRONIC TECHNOLOGIES, LLC AND SHOULD NOT BE USED WITHOUT WRITTEN PERMISSION									
DIMENSION UNITS		SCALE		CURRENT REV DESC:				<b>molex</b>	
mm		5:1							
GENERAL TOLERANCES (UNLESS SPECIFIED)				EC NO: 606695				SLIMSAS 4X RAD TO RAD CABLE ASSY.	
ANGULAR TOL ± 3.0°				DRWN: CYEH03 2018/10/24					
4 PLACES ±				CHK'D: VPENG01 2018/10/29				PRODUCT CUSTOMER DRAWING	
3 PLACES ± 0.2				APPR: VPENG01 2018/10/29					
2 PLACES ± 0.3				INITIAL REVISION:				DOCUMENT NUMBER	
1 PLACE ± 0.4				DRWN: LOU01 2018/06/28					
0 PLACES ±				APPR: VPENG01 2018/08/13				2073702000	
DRAFT WHERE APPLICABLE MUST REMAIN WITHIN DIMENSIONS		THIRD ANGLE PROJECTION		DRAWING		SERIES		MATERIAL NUMBER	
				D-SIZE		207370		SEE P/N TABLE	
								CUSTOMER	
								GENERAL MARKET	
								SHEET NUMBER	
								1 OF 2	

# PINOUT DIAGRAM

P1		SIGNAL TYPE	P2	
GND	A1	—	B1	GND
RX0+	A2	<—	B2	TX0+
RX0-	A3	<—	B3	TX0-
GND	A4	—	B4	GND
RX1+	A5	<—	B5	TX1+
RX1-	A6	<—	B6	TX1-
GND	A7	—	B7	GND
SB	A8	<—>	B8	SB
SB	A9	<—>	B9	SB
SB	A10	<—>	B10	SB
SB	A11	<—>	B11	SB
SB	A12	<—>	B12	SB
GND	A13	—	B13	GND
RX2+	A14	<—	B14	TX2+
RX2-	A15	<—	B15	TX2-
GND	A16	—	B16	GND
RX3+	A17	<—	B17	TX3+
RX3-	A18	<—	B18	TX3-
GND	A19	—	B19	GND
GND	B1	—	A1	GND
TX0+	B2	—>	A2	RX0+
TX0-	B3	—>	A3	RX0-
GND	B4	—	A4	GND
TX1+	B5	—>	A5	RX1+
TX1-	B6	—>	A6	RX1-
GND	B7	—	A7	GND
SB	B8	<—>	A8	SB
SB	B9	<—>	A9	SB
SB	B10	<—>	A10	SB
SB	B11	<—>	A11	SB
SB	B12	<—>	A12	SB
GND	B13	—	A13	GND
TX2+	B14	—>	A14	RX2+
TX2-	B15	—>	A15	RX2-
GND	B16	—	A16	GND
TX3+	B17	—>	A17	RX3+
TX3-	B18	—>	A18	RX3-
GND	B19	—	A19	GND



# LABEL DETAIL



—> = TRANSMIT TO RECEIVE ON HIGH SPEED CIRCUITS  
 — = GND  
 <—> = SIDEBAND  
 NOTE: ALL SIGNAL GROUND ARE BUSSED IN PCB.

THIS DRAWING CONTAINS INFORMATION THAT IS PROPRIETARY TO MOLEX ELECTRONIC TECHNOLOGIES, LLC AND SHOULD NOT BE USED WITHOUT WRITTEN PERMISSION											
DIMENSION UNITS		SCALE		CURRENT REV DESC:						<b>molex</b>	
mm		1:1									
GENERAL TOLERANCES (UNLESS SPECIFIED)				EC NO: 606695							
ANGULAR TOL ± 3.0°				DRWN: CYEH03 2018/10/24							
4 PLACES ±				CHK'D: VPENG01 2018/10/29							
3 PLACES ± 0.2				APPR: VPENG01 2018/10/29							
2 PLACES ± 0.3				INITIAL REVISION:							
1 PLACE ± 0.4				DRWN: LOU01 2018/06/28							
0 PLACES ±				APPR: VPENG01 2018/08/13							
DRAFT WHERE APPLICABLE MUST REMAIN WITHIN DIMENSIONS		THIRD ANGLE PROJECTION		DRAWING		SERIES		MATERIAL NUMBER		CUSTOMER	
				D-SIZE		207370		SEE P/N TABLE		GENERAL MARKET	
DOCUMENT STATUS				P1		RELEASE DATE		2018/10/29 08:39:21		SHEET NUMBER	
										2 OF 2	