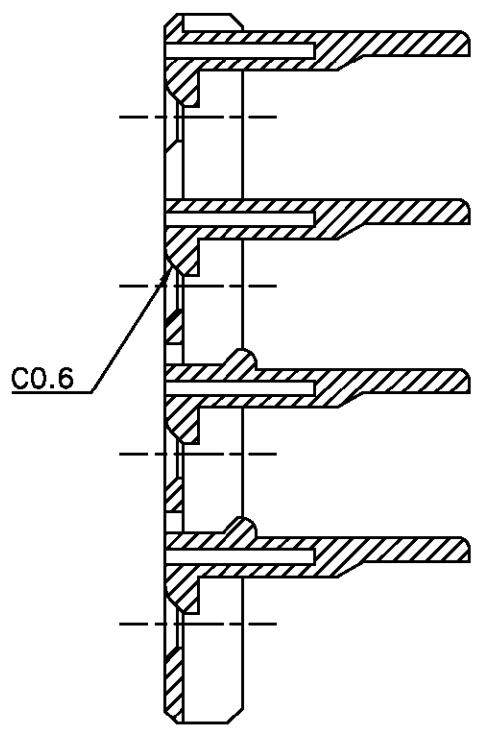
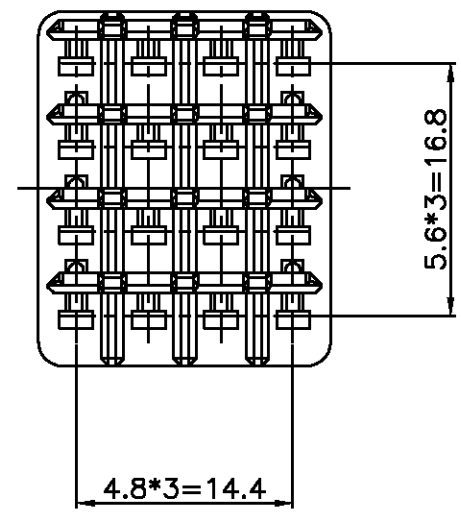
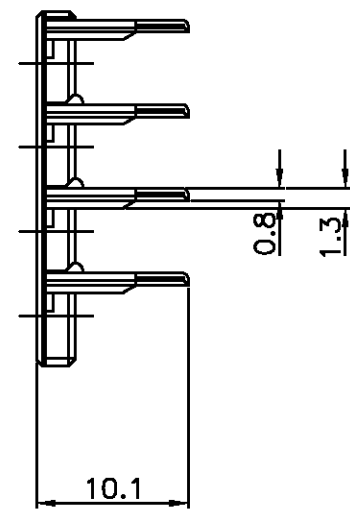
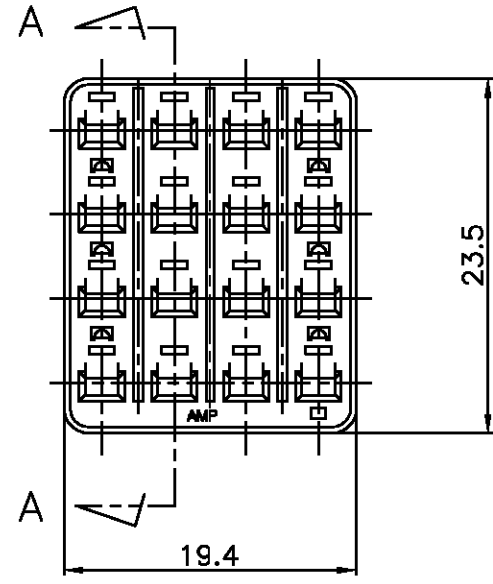
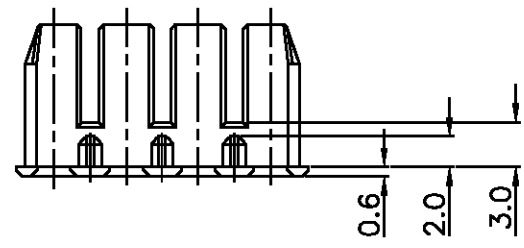


P	LTR	DESCRIPTION	DATE	DWN	APVD
A1		REVISED PER ECO-11-005294	12APR11	RK	HMR



SECT A-A

NOTE;
1. TO BE MATED WITH PLUG HSG(P/N 368048) SMOOTHLY

DIMENSIONS: mm		TOLERANCES UNLESS OTHERWISE SPECIFIED:		(A) YELLOW COLOR		PBT MATERIAL		16POS. DBL PLATE FOR PLUG HSG ECONOSEAL J-MARKIT [®] CONNECTOR NAME		368049-1 PART NUMBER					
3rd ANGLE PROJECTION		0 <XX<10 ± 0.2 10<XX<30 ± 0.25 30<XX ± 0.3 ANGLES ± 3°		DWN: YD. LEE		TE Connectivity		APVD: CS LEE		16POS. DBL PLATE FOR PLUG HSG ECONOSEAL J-MARKIT [®] CONNECTOR					
				CHK: BM JANG				NAME							
MATERIAL: SEE TABLE		COLOR: SEE TABLE		PRODUCT SPEC				SIZE: A3				CAGE CODE: 00779		DRAWING NO: C= 368049	
				APPLICATION SPEC				DRAWING NO: C= 368049				RESTRICTED TO			
				WEIGHT		CUSTOMER DRAWING		SCALE: 2/1		SHEET: 1 OF 1					
										REV: A1					