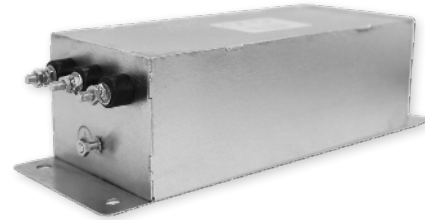


# RPM8500

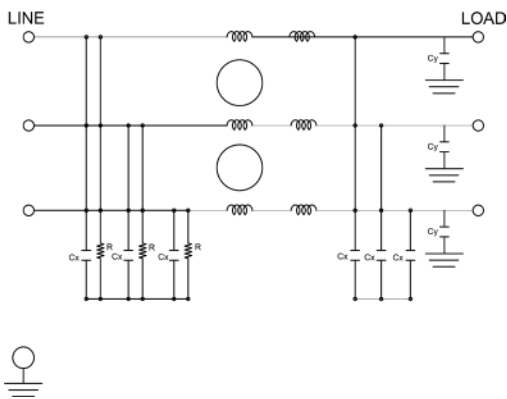
## MIL/COTS 3-PHASE **DELTA** EMI POWER LINE FILTER

### FEATURES

- » Rated currents include **5A, 10A, 20A, 30A, 50A, 70A, 125A and 150A**
- » Dual Stage Line Filter
- » Available with **S** (studs)
- » Agency Approved to RoHS
- » Y-cap value can be adjusted to fit specification



### ELECTRICAL SCHEMATIC



### SPECIFICATIONS

OPERATING FREQUENCY	50/60/400 Hz
MAX. OPERATING VOLTAGE	480 VAC +10%
AMBIENT TEMPERATURE	-40 TO 70°C
CLIMATIC CATEGORY	25/100/21
TERMINALS (-T)	STUDS: 5-50A (M5), 70A (M6), 125-150A (M10)
TYP. WEIGHT, LBS (KG)	2.8 - 16(1.27 - 7.25)

### TYPICAL LEAKAGE CURRENT

@ 480 VAC 60 Hz 0 - 3.50 mA Max.

### HIPOT RATINGS

LINE TO GROUND 1800 VDC

### TYPICAL APPLICATIONS

- ✓ Mil-461/ DO-160

### NOTE:

- ✓ Call for other termination types (e.g. Circular Mil-Connector, etc.)

### HOW TO ORDER

RPM8500 - Y - Z

Z = TERMINAL (-T)  
X = RATED CURRENT

RPM8500=FILTER SERIES

**NOTE:** USE ANY COMBINATION OF -X (AMPS) WITH ANY -Y RATINGS

E.G. **RPM8500-10-S** (10 AMPS)

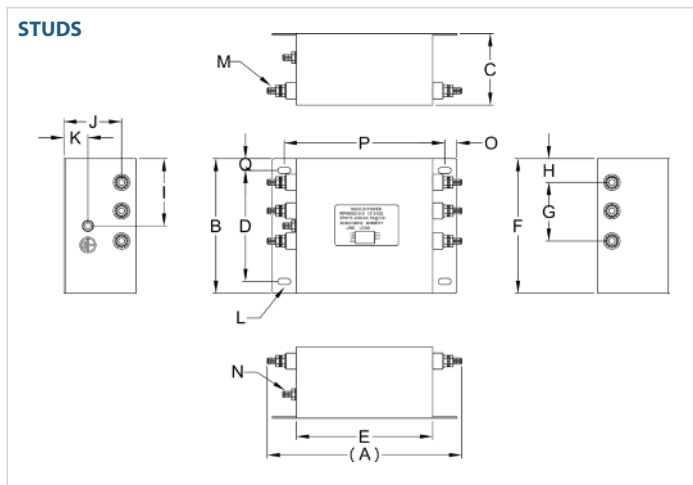
For **X** and **Y** options see product specification table.

# RPM8500

## MIL/COTS 3-PHASE **DELTA** EMI POWER LINE FILTER

MODEL NO.	RATED CURRENT, A @ 40° C	LEAKAGE CURRENT, mA @ 480V AC, 60 Hz	TERMINAL OPTIONS			MAX. DIMENSIONS" (MM)		
			(QD) INPUT/ OUTPUT	(W) INPUT/ OUTPUT	(S) INPUT/ OUTPUT	WIDTH	(LENGTH)	HEIGHT
RPM8500-5-S	5	3.50			✓	4.25"(108)	6.06"(154)	2.25"(57)
RPM8500-10-S	10	3.50			✓	4.25"(108)	6.06"(154)	2.25"(57)
RPM8500-20-S	20	3.50			✓	3.50"(89)	10.00"(254)	2.75"(70)
RPM8500-30-S	30	3.50			✓	3.50"(89)	10.00"(254)	2.75"(70)
RPM8500-50-S	50	3.50			✓	4.00"(102)	12.00"(305)	3.25"(83)
RPM8500-70-S	70	3.50			✓	4.00"(102)	12.00"(305)	3.25"(83)
RPM8500-125-S	125	3.50			✓	6.40"(163)	15.99"(406)	4.50"(114)
RPM8500-150-S	150	3.50			✓	6.40"(163)	15.99"(406)	4.50"(114)

### RPM8500 MECHANICAL OUTLINES (MM)



SERIES	(A)	B	C	D	E	F	G	H	I	J	K	L	M	N	O	P	Q
<b>STUDS (5/10A)</b>	6.06" (154)	4.25" (108)	2.25" (57)	3.50" (89)	4.25" (108)	4.25" (108)	1.85" (47)	0.75" (19)	2.13" (54)	1.80" (46)	0.75" (19)	Ø 0.20"x0.44",4x (Ø 5.1x11.2, 4x)	STUD M5, 6x	STUD GND M5	0.38" (10)	5.00" (127)	0.38" (10)
<b>STUDS (20/30A)</b>	10.00" (254)	3.50" (89)	2.75" (70)	2.50" (64)	8.00" (203)	3.50" (89)	1.90" (48)	0.80" (20)	1.75" (45)	2.05" (52)	0.75" (19)	Ø 0.29"x0.25",4x (Ø 7.6x6.4, 4x)	STUD, M5, 6x	STUD, GND, M5	0.50" (13)	9.00" (229)	0.50" (13)
<b>STUDS (50/70A)</b>	12.00" (305)	4.00" (102)	3.25" (83)	3.00" (76)	10.00" (254)	4.00" (102)	2.00" (51)	1.00" (25)	2.00" (51)	2.25" (57)	1.00" (25)	Ø 0.29"x0.25",4x (Ø 7.6x6.4, 4x)	STUD, M6, 6x	STUD, GND, M6	0.50" (13)	11.00" (279)	0.50" (13)
<b>STUDS (125/150A)</b>	15.99" (406)	6.40" (163)	4.50" (114)	5.12" (130)	13.00" (330)	6.60" (168)	3.30" (84)	1.65" (42)	3.30" (84)	3.50" (89)	1.00" (25)	Ø 0.59"x0.25",4x (Ø 15.2x6.4, 4x)	STUD, M10, 8x	STUD, GND, M10	0.53" (14)	14.69" (373)	0.64" (16)

TYPICAL TOLERANCE: +/-0.02" (0.50MM)

# RPM8500

## MIL/COTS 3-PHASE **DELTA** EMI POWER LINE FILTER

### TYPICAL INSERTION LOSS, dB (50/50 Ohm)

Amps	Freq (MHz)	0.15	0.5	1.0	10	30
5	CM (dB)	30	48	52	48	35
	DM (dB)	40	55	55	45	30
10	CM (dB)	30	48	52	48	35
	DM (dB)	40	55	55	45	30
20	CM (dB)	30	48	52	48	35
	DM (dB)	40	55	55	45	30
30	CM (dB)	30	48	52	48	35
	DM (dB)	40	55	55	45	30
50	CM (dB)	30	48	52	48	35
	DM (dB)	40	55	55	45	30
70	CM (dB)	30	48	52	48	35
	DM (dB)	40	55	55	45	30
125	CM (dB)	30	48	52	48	35
	DM (dB)	40	55	55	45	30
150	CM (dB)	30	48	52	48	35
	DM (dB)	40	55	55	45	30