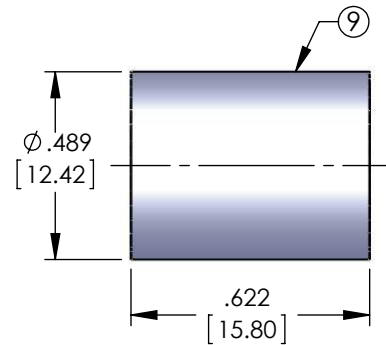
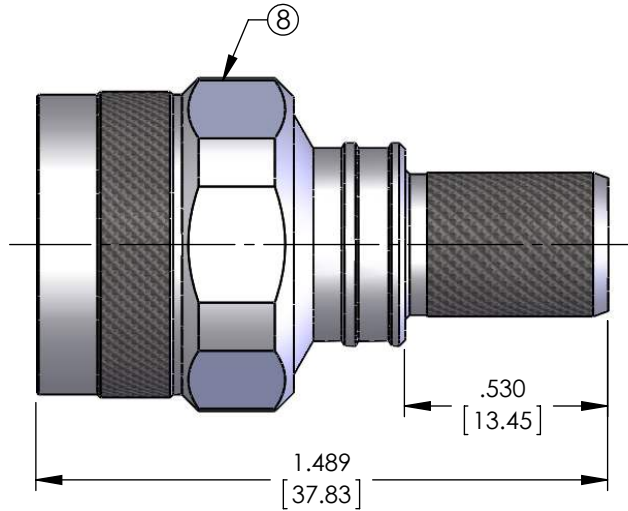
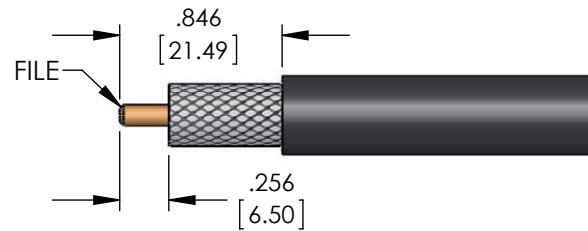
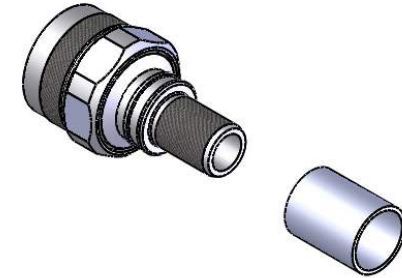


# RFN-1006-491

REV	DESCRIPTION	DATE	APPR
-	ENGINEERING RELEASE	04/18/13	JDM
A	UPDATED PERFORMANCE DATA	07/17/13	JDM

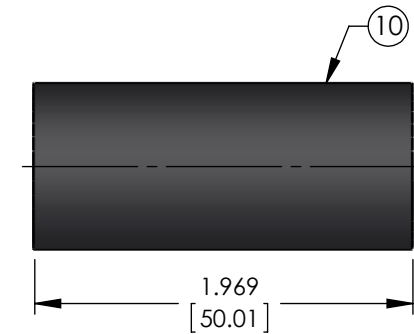


RECOMMENDED CRIMP DIE: .429"



RECOMMENDED STRIPPING DIMENSIONS

NTS



NTS

## SPECIFICATIONS:

IMPEDANCE: 50 Ohms  
 FREQUENCY RANGE: 0-11 GHz  
 VSWR: <1.10:1 UP TO 3GHz  
 VSWR: <1.2:1 @ 3 GHz THROUGH 8 GHz  
 WORKING VOLTAGE: 1K V rms Max. @ Sea Level  
 INSULATION RESISTANCE: 5k M Ohms min.  
 TEMPERATURE RANGE: -65°C TO 165°C  
 INSERTION LOSS(dB): 0.06 dB MAX.  $x\sqrt{f}$ (GHz)  
 FOR TIMES LMR<sup>®</sup>400, COMMSCOPE CNT<sup>®</sup>400,  
 BELDEN 8214 & 9913

NO	DESCRIPTION	QTY	MATERIAL	FINISH
10	TUBING	1	POLYOLEFIN	BLACK
9	FERRULE	1	BRASS	WHITE BRONZE
8	SHELL	1	BRASS	WHITE BRONZE
7	GASKET	1	SI RUBBER	ORANGE
6	RETAINING RING	1	BRASS	WHITE BRONZE
5	GROUNDING RING	1	BRASS	WHITE BRONZE
4	INSULATOR	1	PTFE	NONE
3	INSULATOR	1	PTFE	NONE
2	PIN	1	PHOS. BRONZE	GOLD
1	BODY	1	BRASS	WHITE BRONZE

<b>ROHS</b> COMPLIANT	CABLE GROUP	I
	CODE	01560
	UNLESS OTHERWISE SPECIFIED:	
	DIMENSIONS ARE IN INCHES ALL DIMENSIOS ARE FOR REFERENCE ONLY	

NAME	DATE
DRAWN C. ZUNIGA	07/17/13
CHECKED	
ENG APPR.	

**PROPRIETARY AND CONFIDENTIAL**  
 THE INFORMATION CONTAINED IN THIS DRAWING IS THE SOLE PROPERTY OF RF INDUSTRIES. ANY REPRODUCTION IN PART OR AS A WHOLE WITHOUT THE WRITTEN PERMISSION OF RF INDUSTRIES IS STRICTLY PROHIBITED.

<b>RF INDUSTRIES</b> 7610 MIRAMAR RD. SAN DIEGO, CA. 92126 858-549-6340 FAX 858-549-6345		
TITLE: <b>N PLUG, CRIMP</b> FOR SOLID CENTER CONDUCTORS		
SIZE	DWG. NO.	REV
<b>A</b>	<b>RFN-1006-491</b>	<b>A</b>
SCALE: NTS	NOTES:	SHEET 1 OF 1