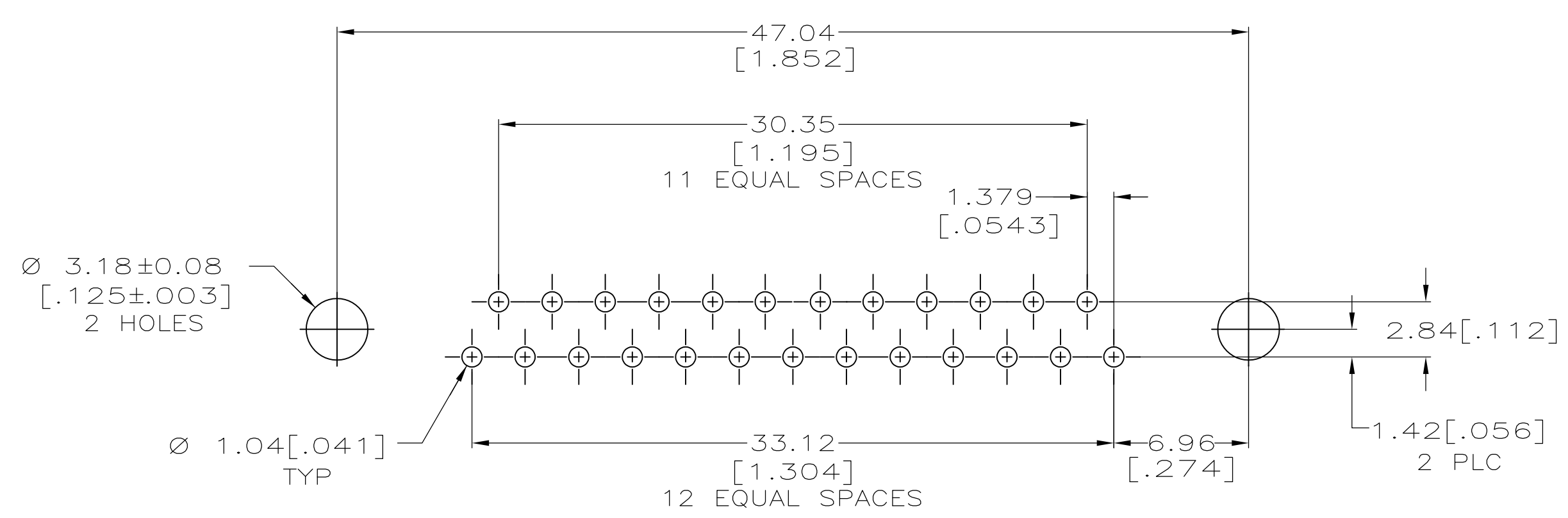
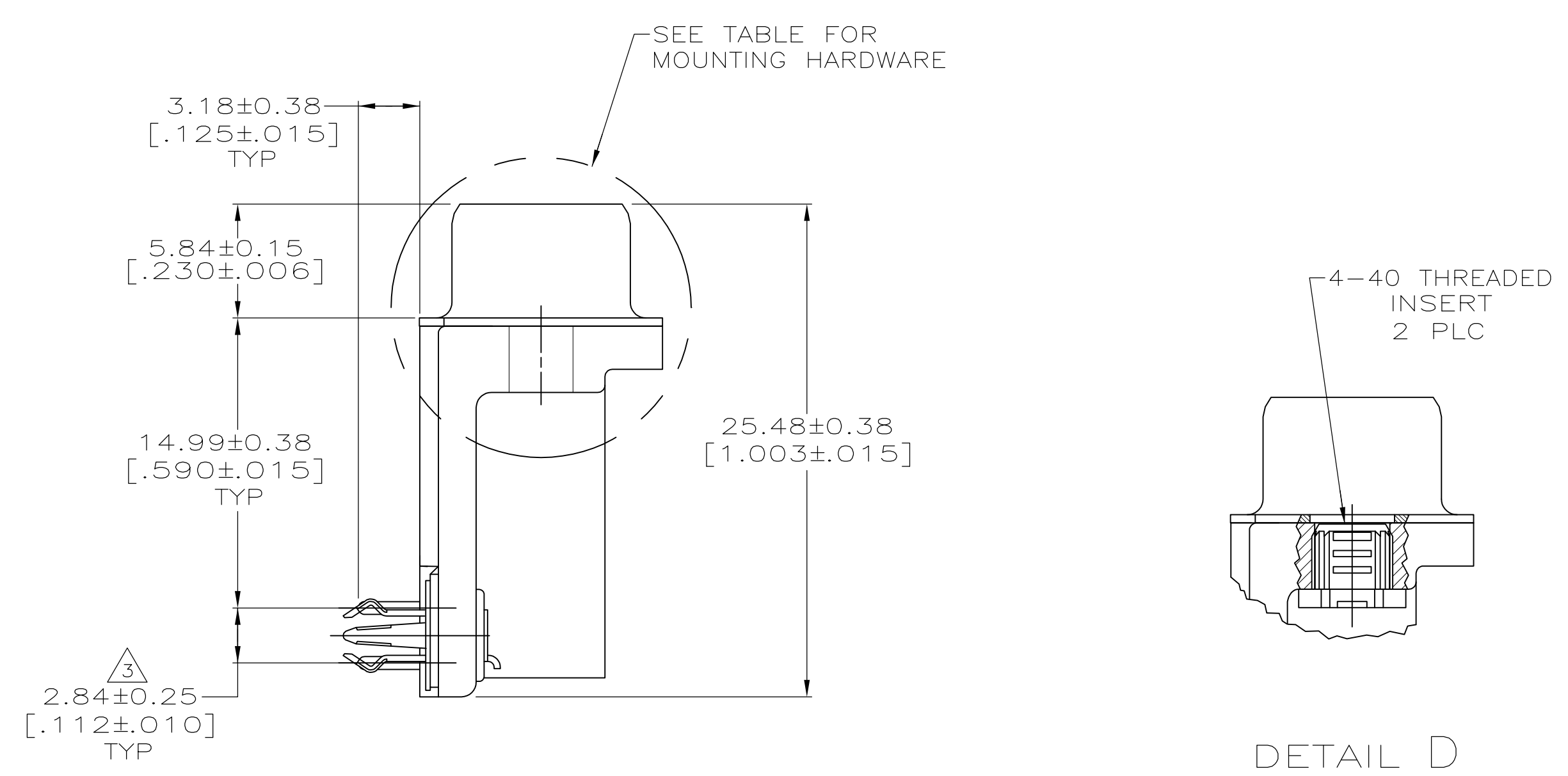
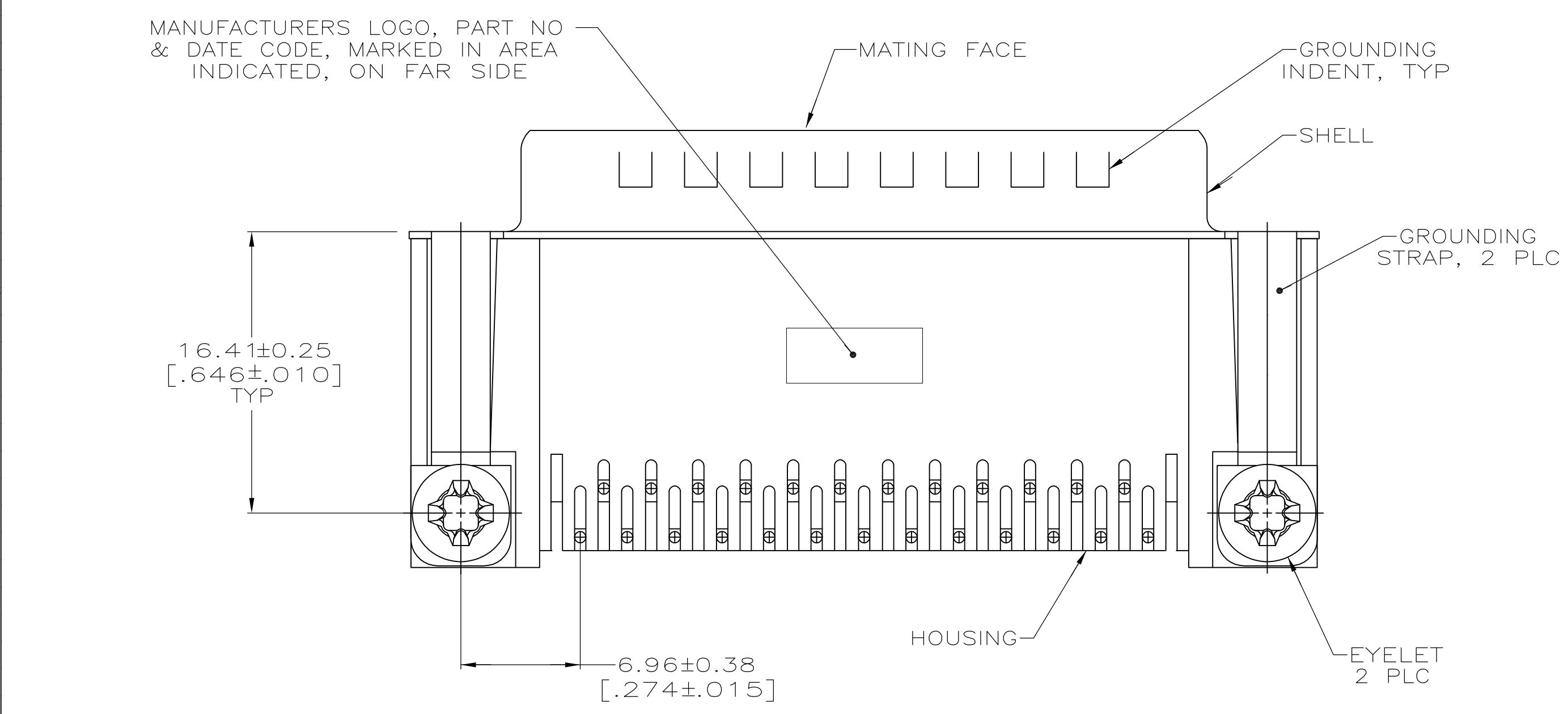


- 1 HOUSING: NYLON OR POLYESTER, FLAME RETARDANT, UL 94V-0 RATED, GLASS FILLED, BLACK.
CONTACTS: BRASS
SHELL: CARBON STEEL
EYELETS: BRASS; BOARDLOCKS: COPPER ALLOY
INSERTS: ZINC
- 2 SHELL: $2.54 \mu\text{m}$ [.000100] MIN TIN OVER $1.27 \mu\text{m}$ [.00050] MIN COPPER.
EYELETS: $2.54 \mu\text{m}$ [.000100] MIN TIN OVER COPPER FLASH.
CONTACTS: $0.76 \mu\text{m}$ [.000030] MIN GOLD PLATE ON THE MATING SURFACES, $2.54 \mu\text{m}$ [.000100] MIN TIN PLATE ON THE SOLDER END, $1.27 \mu\text{m}$ [.000050] MIN NICKEL UNDERPLATE ON THE ENTIRE CONTACT
-OR-
GOLD FLASH OVER PALLADIUM-NICKEL PLATE, $0.76 \mu\text{m}$ [.000030] MIN TOTAL ON THE MATING SURFACES, $2.54 \mu\text{m}$ [.000100] MIN TIN PLATE ON THE SOLDER END, $1.27 \mu\text{m}$ [.000050] MIN NICKEL UNDERPLATE ON THE ENTIRE CONTACT.
BOARDLOCKS: $3.81 \mu\text{m}$ [.000150] MIN TIN OVER $1.27 \mu\text{m}$ [.000050] MIN NICKEL.
INSERTS: CLEAR CHROMATE
- 3 DIMENSION APPLIES FROM CENTER OF CONTACT.



**COPYRIGHT 2005
TYCO ELECTRONICS CORP
ALL RIGHTS RESERVED**

SEE DETAIL D	5747829-4
MOUNTING HARDWARE	PART NUMBER

THIS DRAWING IS A CONTROLLED DOCUMENT. DIMENSIONING AND TOLERANCING PER ASME Y14.5M-2009		DIN 04-06-05 G. ATTADIA - DOCKS		TE Connectivity	
DIMENSIONS: mm [INCHES]		TOLERANCES UNLESS OTHERWISE SPECIFIED:		APVD M. WALMSLEY 04-06-05	
0 PLC ± -		1 PLC ± -		NAME PLUG ASSEMBLY, SIZE 3, 25 POSITION, RIGHT ANGLE, FRONT METAL SHELL, .590 SERIES, BOARDLOCKS, AMPLIMITE HD-20	
2 PLC ± -		3 PLC ± 0.13 [.005]		PRODUCT SPEC 108-40025	
4 PLC ± -		ANGLES ± α °		APPLICATION SPEC 114-40010	
MATERIAL		FINISH		SIZE CASE CODE DRAWING NO RESTRICTED TO	
1		2		A1 00779 C=5747829	
CUSTOMER DRAWING		SCALE 4:1		SHEET 1 OF 1 REV C	