

1. TYPE RTU002P02

2. STRUCTURE SILICON P-CHANNEL MOS FET

3. APPLICATIONS SWITCHING

4. ABSOLUTE MAXIMUM RATINGS [Ta=25°C]

DRAIN-SOURCE VOLTAGE V_{DSS} . . . -20VGATE-SOURCE VOLTAGE V_{GSS} . . . ± 12VDRAIN CURRENT CONTINUOUS I_D . . . ± 0.25APULSED I_{DP} . . . ± 0.5A PW ≤ 10μs DUTY CYCLE ≤ 1%TOTAL POWER DISSIPATION P_D . . . 0.2W EACH TERMINAL MOUNTED
ON A RECOMMENDED LANDCHANNEL TEMPERATURE T_{ch} . . . 150°CRANGE OF STORAGE TEMPERATURE T_{stg} . . . -55 ~ 150°C

5. THERMAL RESISTANCE

CHANNEL TO AMBIENT R_{th(ch-a)} . . . 625°C/W EACH TERMINAL MOUNTED
ON A RECOMMENDED LAND

DESIGN

CHECK

APPROVAL

DATE : 27/JAN/2003

SPECIFICATION No. TSQ03025H-126

REV. : 0

ROHM CO., LTD.

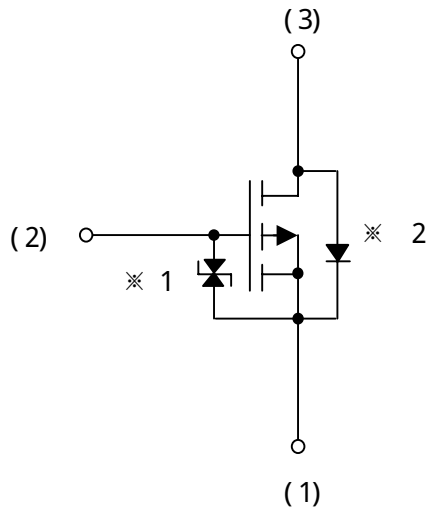
6. ELECTRICAL CHARACTERISTICS [Ta=25°C]

PARAMETER	ITEM	CONDITION	MIN	TYP.	MAX.
GATE-SOURCE LEAKAGE	I _{GSS}	V _{GS} =± 12V / V _{DS} =0V	-	-	± 10μ A
DRAIN-SOURCE BREAKDOWN VOLTAGE	V(BR) _{DSS}	I _D =- 1mA / V _{GS} =0V	- 20V	-	-
ZERO GATE VOLTAGE DRAIN CURRENT	I _{DSS}	V _{DS} =- 20V / V _{GS} =0V	-	-	- 1μ A
GATE THRESHOLD VOLTAGE	V _{GS(th)}	V _{DS} =- 10V / I _D =- 1mA	- 0.7V	-	- 2.0V
STATIC DRAIN-SOURCE ON-STATE RESISTANCE	R _{DS(on)} * PULSED	I _D =- 0.25A V _{GS} =- 4.5V	-	1.0Ω	1.5Ω
		I _D =- 0.25A V _{GS} =- 4.0V	-	1.1Ω	1.6Ω
		I _D =- 0.15A V _{GS} =- 2.5V	-	2.0Ω	3.0Ω
FORWARD TRANSFER ADMITTANCE	Y _{fs} * PULSED	V _{DS} =- 10V I _D =- 0.15A	0.2S	-	-
INPUT CAPACITANCE	C _{iss}	V _{DS} =- 10V / V _{GS} =0V f=1MHz	-	50pF	-
OUTPUT CAPACITANCE	C _{oss}		-	5pF	-
REVERSE TRANSFER CAPACITANCE	C _{rss}		-	5pF	-
TURN-ON DELAY TIME	t _{d(on)} * PULSED	I _D =- 0.15A V _{DD} ≐ - 15V V _{GS} =- 4.5V R _L ≐ 100Ω R _{GS} =10Ω	-	9ns	-
RISE TIME	t _r * PULSED		-	6ns	-
TURN-OFF DELAY TIME	t _{d(off)} * PULSED		-	35ns	-
FALL TIME	t _f * PULSED		-	45ns	-

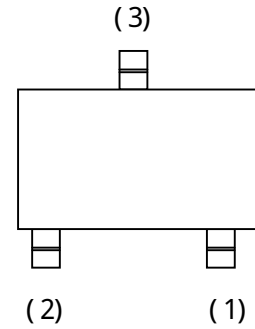
BODY DIODE CHARACTERISTICS (SOURCE-DRAIN CHARACTERISTICS) [Ta=25°C]

PARAMETER	ITEM	CONDITION	MIN	TYP.	MAX.
FORWARD VOLTAGE	V _{SD}	I _S =- 0.1A / V _{GS} =0V	-	-	- 1.2V

7. INNER CIRCUIT

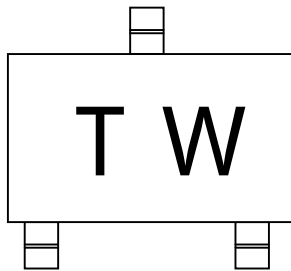


(1) SOURCE
(2) GATE
(3) DRAIN



※ 1 ESD PROTECTION DIODE
※ 2 BODY DIODE

8. MARKING



" TW MEANS RTU002P02.