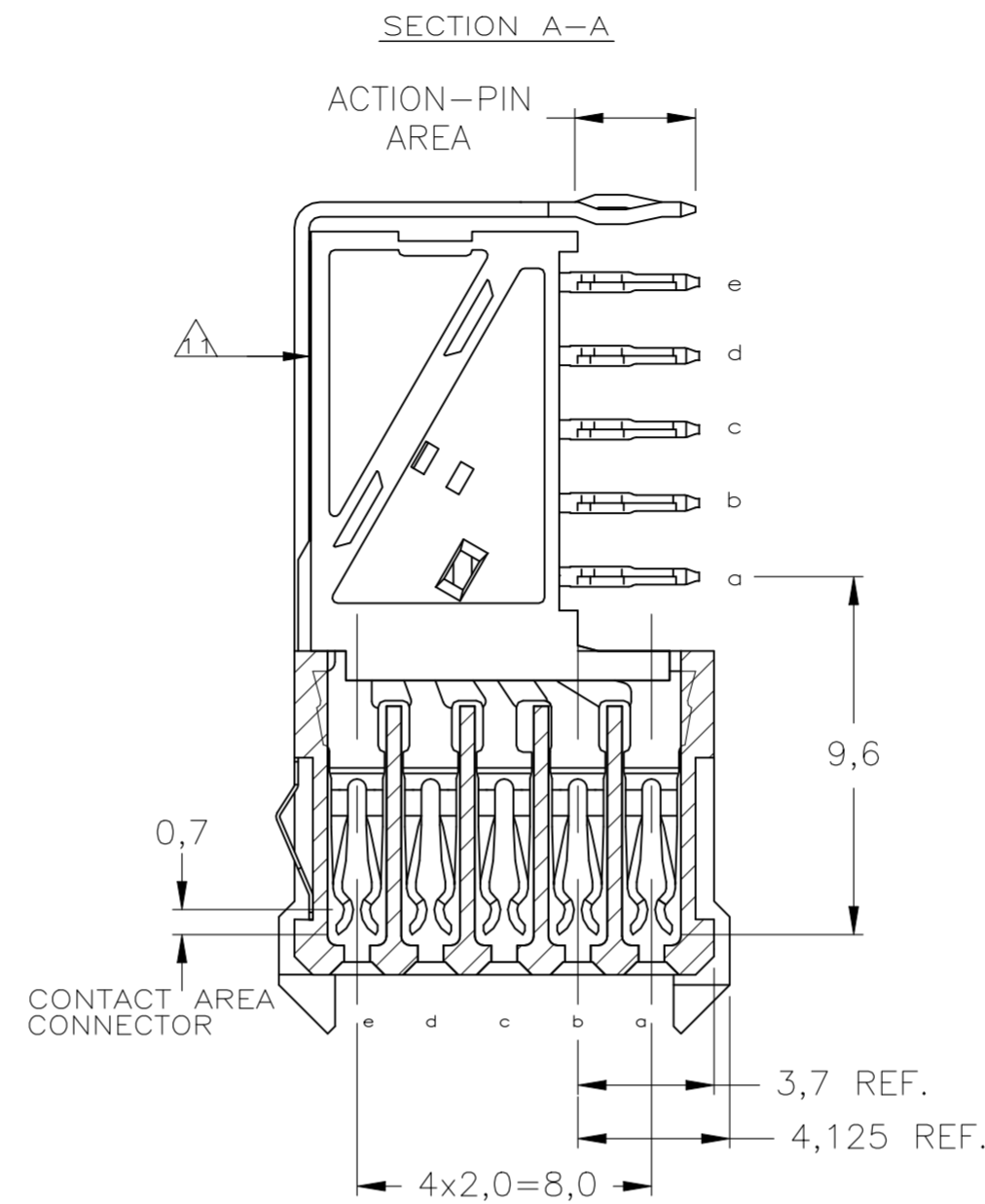
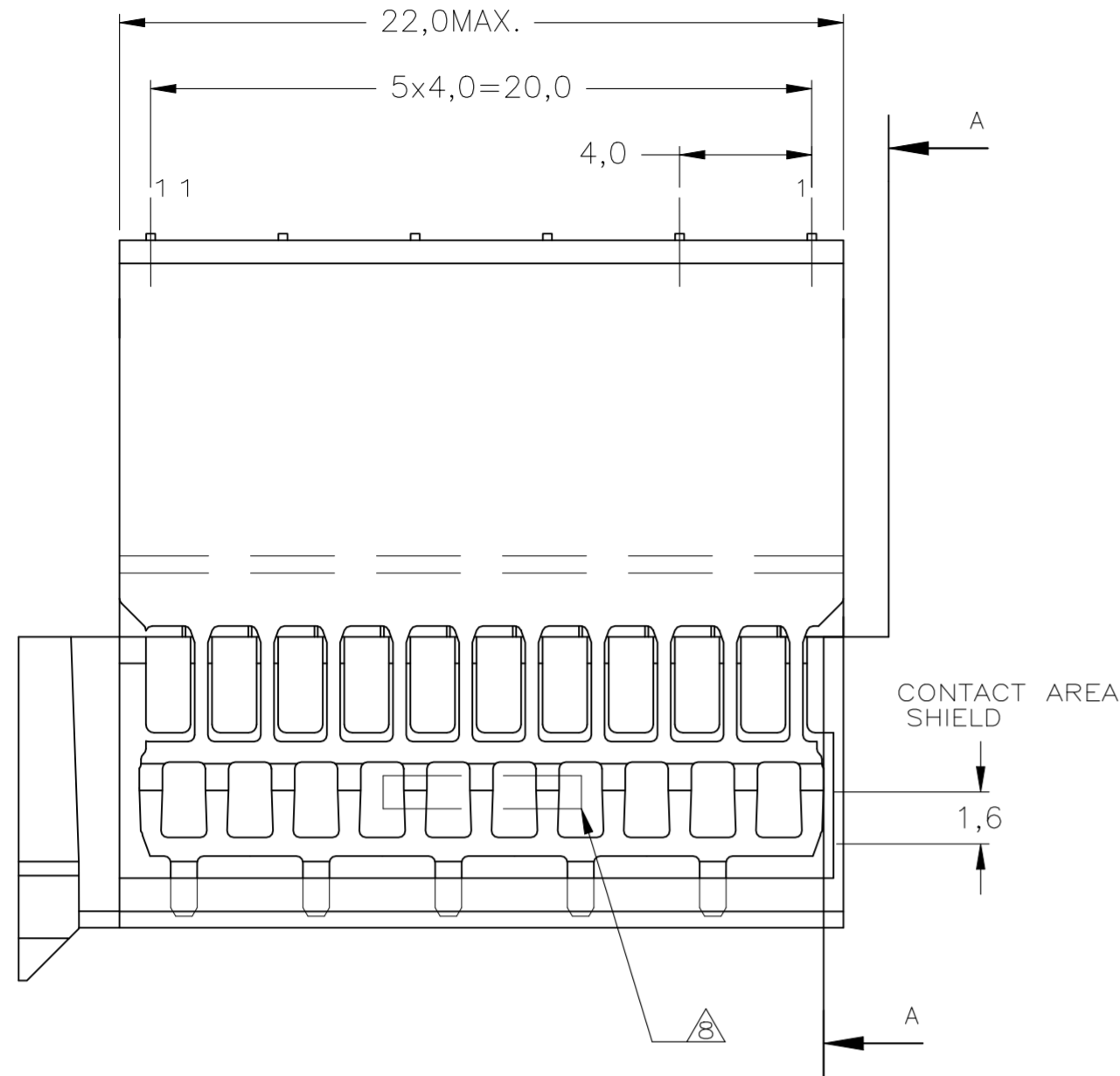
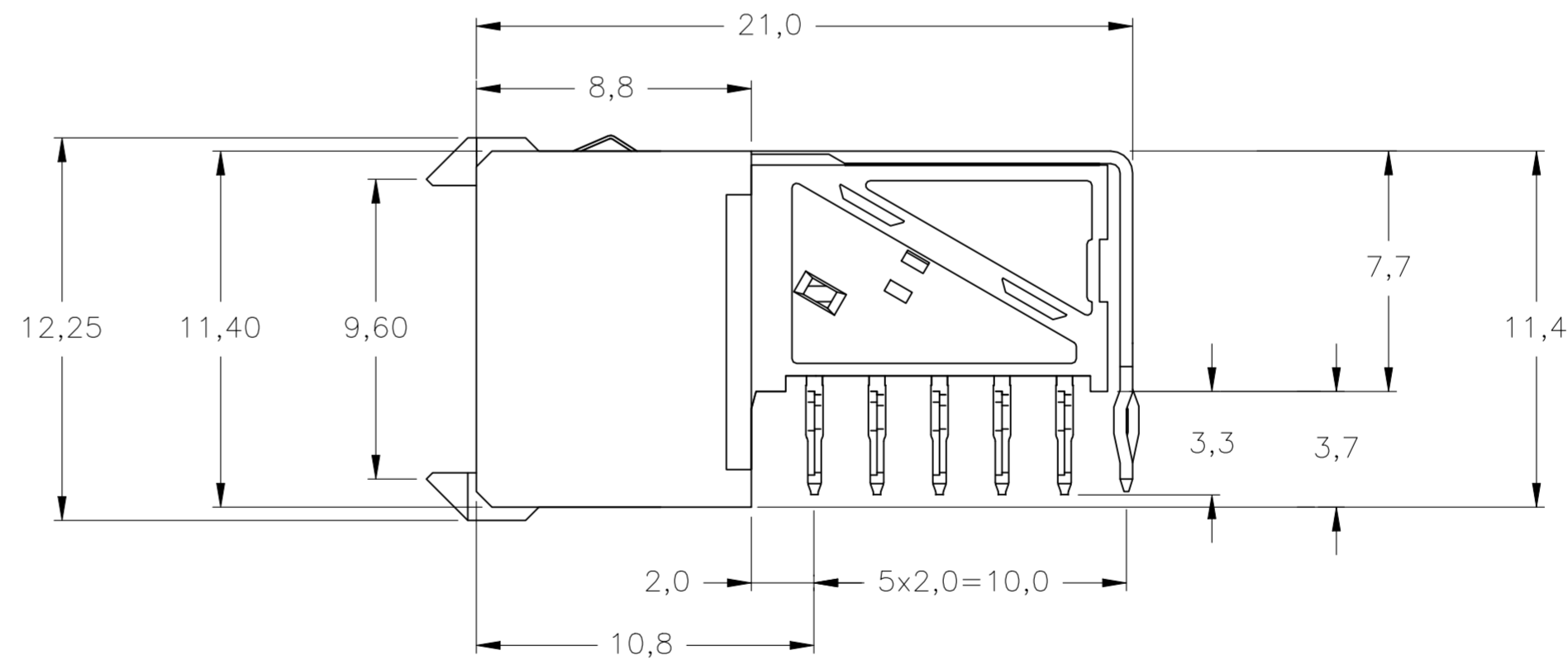
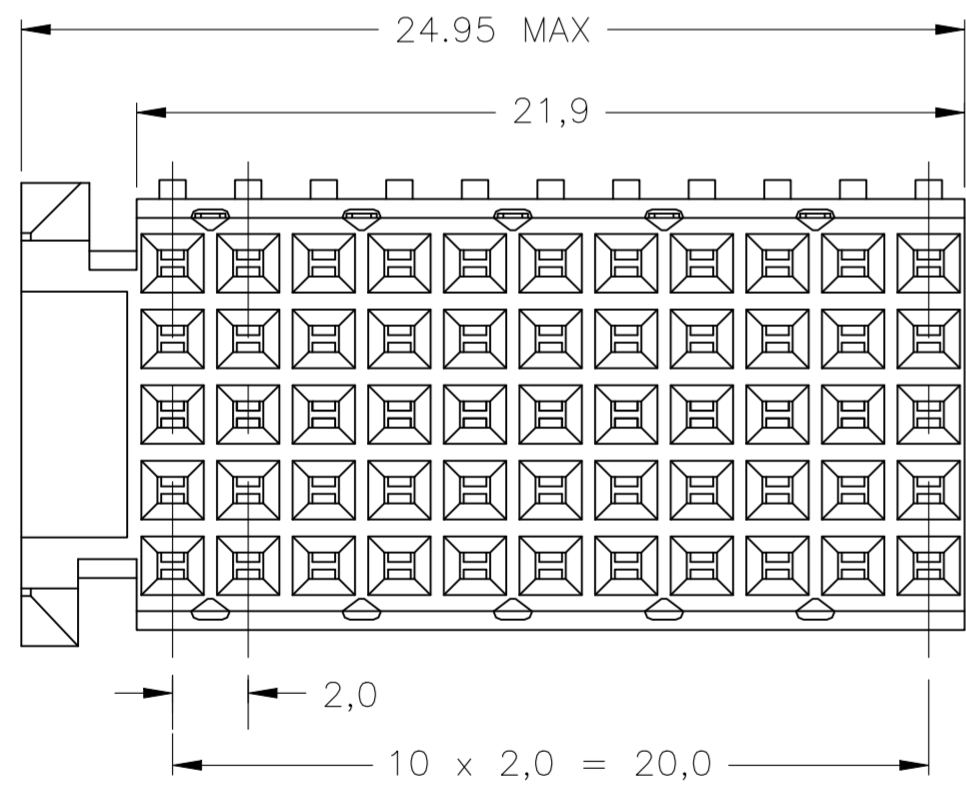


REVISIONS					
P	LTR	DESCRIPTION	DATE	DWN	APVD
J		ECO-21-007936	13AUG2021	TL	HL

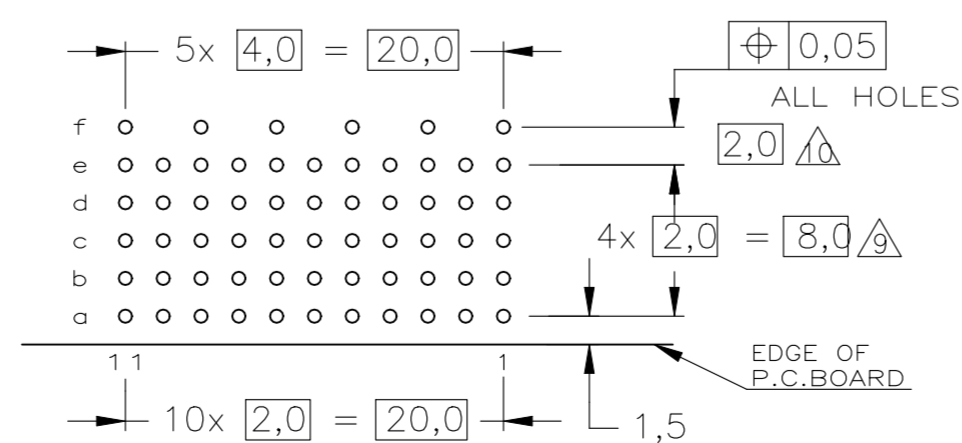


NOTES:

- ⚠ MATERIAL CONTACTS; PHOSPHORBRONZE
MATERIAL SHIELD ; PHOSPHORBRONZE
MATERIAL HOUSING; GLASSFILLED POLYESTER (GRAY)
- ⚠ GENERAL PLATING SPECIFICATION: UNDERPLATING (ENTIRE CONTACT):
1,27µm NICKEL MIN. AND ACTION PIN: 0,5µm TIN MIN.
FOR PLATING OF MATING SURFACES SEE APPLICABLE SPECIFICATION REFERENCE FOR EACH DASH NUMBER.
- ⚠ CONFORMS TO ALL TESTING ACCORDING IEC 61076-4-101 PERFORMANCE LEVEL 2.
- ⚠ CONFORMS TO ALL TESTING ACCORDING IEC 61076-4-101 PERFORMANCE LEVEL 1.
- ⚠ CONNECTOR TESTED AND QUALIFIED AGAINST TELCORDIA GR-1217-CORE QUALITY LEVEL III, CENTRAL OFFICE APPLICATIONS.
- ⚠ CONNECTOR LUBRICATED WITH TELCORDIA GR-1217-CORE APPROVED LUBRICANT.
- ⚠ ASSEMBLY PRINTED WITH P/N AND DATECODE
THE MARKING CAN APPEAR ON THE FRONT SIDE OR BACK SIDE.
- ⚠ HOLE PATTERN FOR FEMALE CONNECTOR TYPE C
55 PLATED-THROUGH HOLES AT 2x2mm SQUARE GRID
ROW "r" 6 PLATED THROUGH HOLES FOR UPERSHIELD
- ⚠ SHIELD MOUNTED ON CONNECTOR WITH DOUBLE SIDED ADHESIVE TAPE OR ADHESIVE
- 12 FITS WITH LOWERSHIELD, BASIC PARTNUMBER : 5352112.
- ⚠ 0.76µm MIN Au PLATING AT MATING SURFACES.



COMPONENT SIDE AS SHOWN
RECOMMENDED PCB-HOLE LAY-OUT
SCALE 2,5:1



P.C.B. HOLE DIM. ACTION PIN
FOR DETAILS SEE
APPLICATION SPECIFICATION

	⚠⚠⚠	⚠	3-5352115-0
OBSOLETE	⚠⚠⚠	⚠	5352115-9
OBSOLETE	⚠⚠	⚠	5352115-4
	⚠⚠	⚠	5352115-1
	FINISH	MATERIAL	PARTNUMBER

THIS DRAWING IS A CONTROLLED DOCUMENT.		DWN	19AUG2004	K.N.KIRAN	
DIMENSIONS: mm		CHK	24SEP2004	B.MOOIJ	
TOLERANCES UNLESS OTHERWISE SPECIFIED:		APVD	24SEP2004	B.MOOIJ	
0-PLC ±		PRODUCT SPEC		NAME	
1-PLC ±		108-19082		Z-PACK 2mm HM	
2-PLC ±		APPLICATION SPEC		TYPE C - 11 COLUMNS	
3-PLC ±		114-19029		PRE-SHIELDED RECEPTACLE	
4-PLC ±		WEIGHT 0.000000		SIZE	CAGE CODE
ANGLES ±		CUSTOMER DRAWING		A2	00779
FINISH		SCALE 5:1		DRAWING NO	RESTRICTED TO
		SHEET 1 of 1		C=5352115	REV J