

- NOTES:
- MATERIALS: HOUSING & BASEPLATE - LCP, GLASS FILLED, UL 94V-0, COLOR: BLACK
LATCH - HIGH TEMP NYLON, GLASS FILLED, UL 94V-0, COLOR: BEIGE
TERMINAL AND FORKLOCK - COPPER ALLOY
SOLDER TAILS: 2.54um/100u" MIN. TIN
OVER 1.27mm/50u" MIN. NICKEL
 - FINISHES: CONTACT AREA: SEE TABLE ON SHEET 4
 - PRODUCT SPECIFICATIONS: PS-87623-002 FOR PERFORMANCE SPECIFICATIONS.
 - DATE CODE SHALL BE MARKED LEGIBLY AS SHOWN: XX XX
YEAR WEEK
 - PART NUMBER SHALL BE MARKED LEGIBLY AS SHOWN: 87623-0XXX
REFER TO TABLE

OBS TIN/LEAD P/N
EC NO: S2006-0734
DRWN:MLONG 2006/02/27
CHKD:HO 2006/02/28
APPR:GJLEE 2006/03/01

QUALITY SYMBOLS
▽=0
◻=0

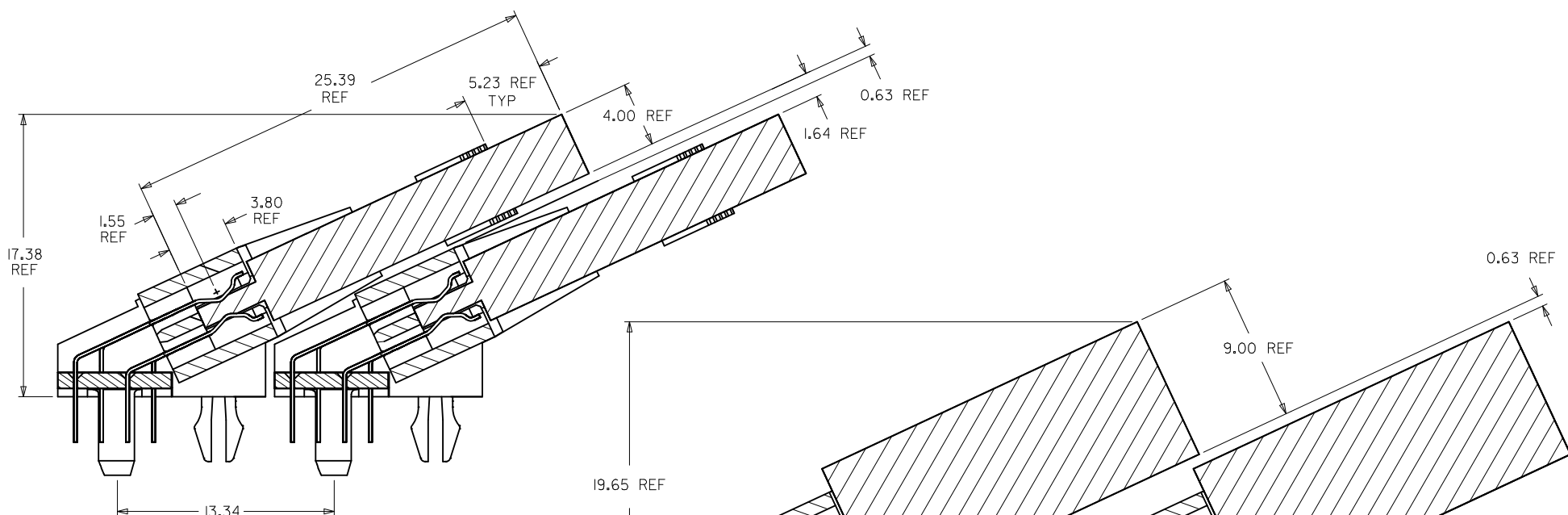
	GENERAL TOLERANCES (UNLESS SPECIFIED)	
	mm	INCH
4 PLACES	± ---	± ---
3 PLACES	± ---	± ---
2 PLACES	± 0.25	± ---
1 PLACE	± ---	± ---
ANGULAR ± 5 °		

DRAFT WHERE APPLICABLE
MUST REMAIN
WITHIN DIMENSIONS

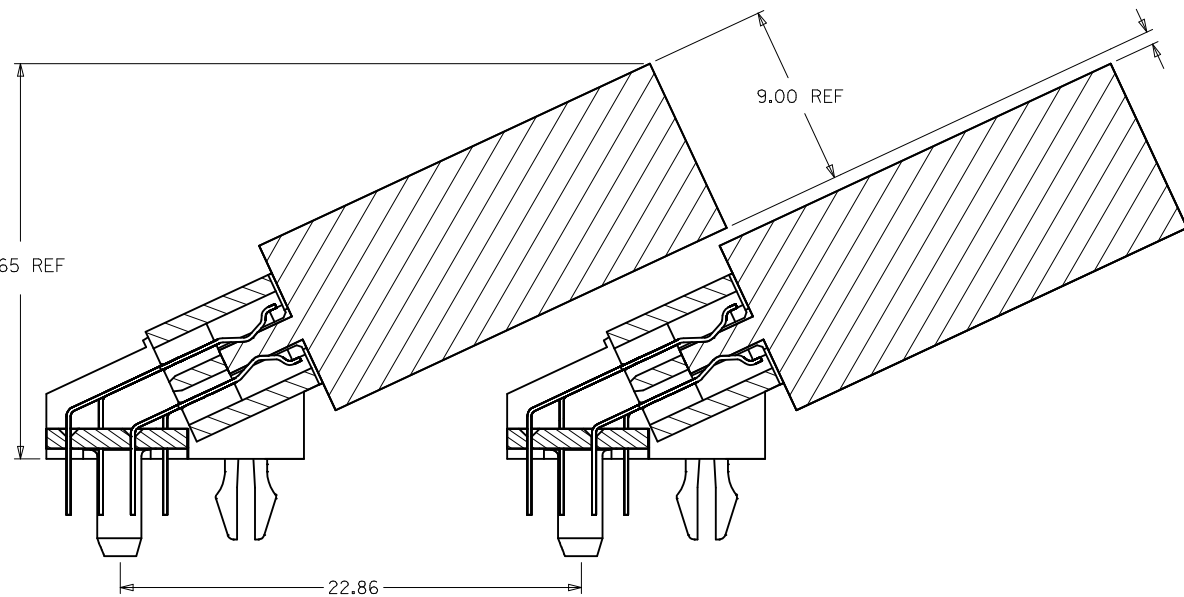
DIMENSION STYLE MM ONLY	
DRAWN BY	DATE
LPLIM	2000/01/10
CHECKED BY	DATE
DSOH	2000/02/02
APPROVED BY	DATE
SKTOH	2000/02/02
MATERIAL NO.	
SEE TABLE	

SCALE NTS	DESIGN UNITS METRIC	THIRD ANGLE PROJECTION
TITLE	DDR DIMM, 1.27MM PITCH 184 CKTS, 25 DEG.	
molex MOLEX INCORPORATED		
DOCUMENT NO.	SD-87623-001	SHEET NO. 1 OF 4
THIS DRAWING CONTAINS INFORMATION THAT IS PROPRIETARY TO MOLEX INCORPORATED AND SHOULD NOT BE USED WITHOUT WRITTEN PERMISSION		

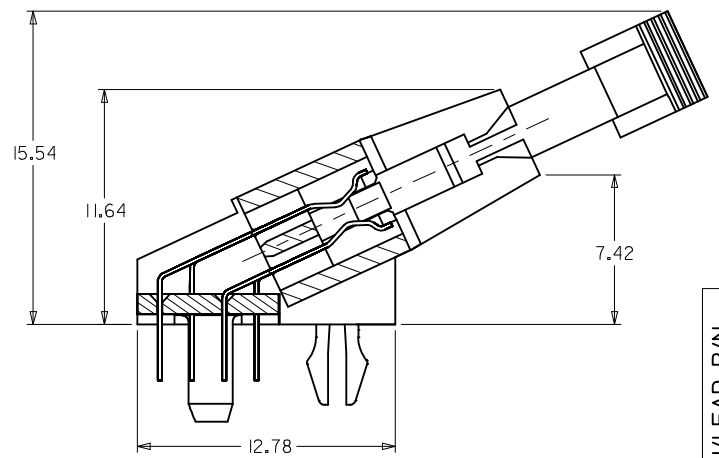
10 9 8 7 6 5 4 3 2 1



MINIMUM RECOMMENDED ROW TO ROW SPACING
WHEN USING A 4.00 mm THICK
MODULE (TYPICAL TSOP PACKAGING)



MINIMUM RECOMMENDED ROW TO ROW SPACING
WHEN USING A 9.00 mm THICK
MODULE (TYPICAL SOJ PACKAGING)

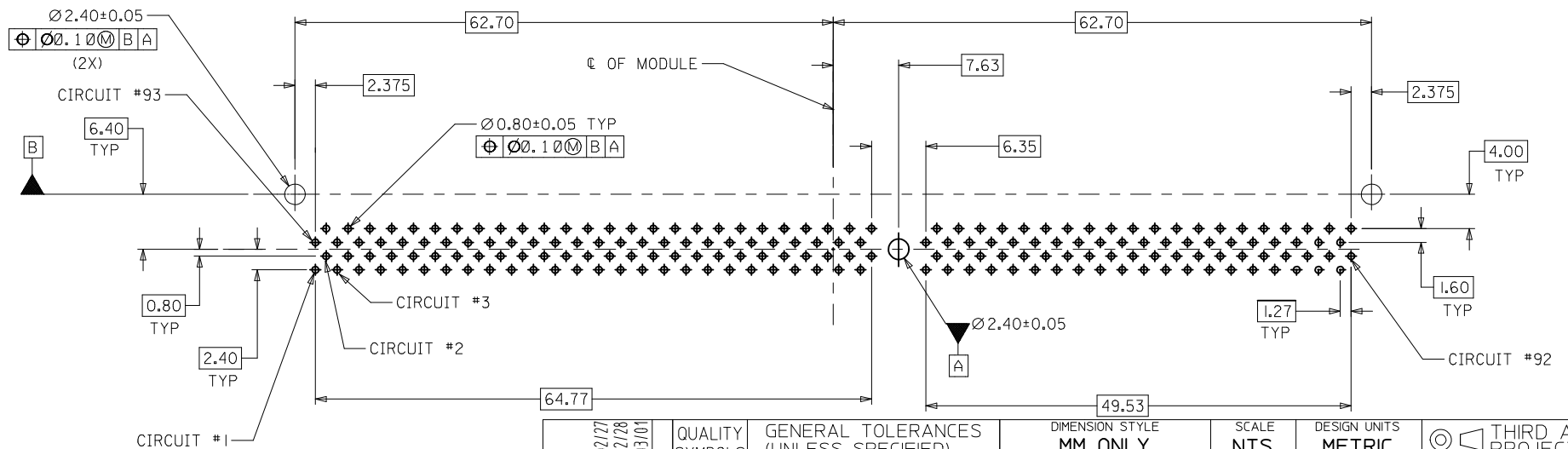


SECTION A-A

OBS TIN/LEAD P/N EC NO: S2006-0734 DRWN:MLONG 2006/02/27 CHKD:JHO 2006/02/28 APPR:GJLEE 2006/03/01	QUALITY SYMBOLS	GENERAL TOLERANCES (UNLESS SPECIFIED)		DIMENSION STYLE	SCALE	DESIGN UNITS	THIRD ANGLE PROJECTION
	▽=0 ∠=0	mm	INCH	MM ONLY	NTS	METRIC	
		4 PLACES ± --- ± ---	3 PLACES ± --- ± ---	DRAWN BY	DATE	TITLE	
		2 PLACES ± 0.25 ± ---	1 PLACE ± --- ± ---	LPLIM	2000/01/10	DDR DIMM, 1.27MM PITCH 184 CKTS, 25 DEG.	
	ANGULAR ± 5 °	DRAFT WHERE APPLICABLE MUST REMAIN WITHIN DIMENSIONS		CHECKED BY	DATE	MOLEX INCORPORATED	
				DSOH	2000/02/02	DOCUMENT NO.	
				APPROVED BY	DATE	SD-87623-001	
				SKTOH	2000/02/02	SHEET NO.	
				MATERIAL NO.		2 OF 4	
				SIZE	THIS DRAWING CONTAINS INFORMATION THAT IS PROPRIETARY TO MOLEX INCORPORATED AND SHOULD NOT BE USED WITHOUT WRITTEN PERMISSION		
				A3			

9 8 7 6 5 4 3 2 1

PART NUMBER	VOLTAGE KEY	CKT SIZE	TAIL LENGTH P±0.25	PEG LENGTH Q±0.25	FORK LENGTH R±0.25	RECOMMENDED PCB THICKNESS	FINISHES: CONTACT AREA
87623-2001	LEFT (2.5V)	184	2.79	3.18	3.18	1.57	SELECTIVE GOLD 0.38µM/15µ" MIN. GOLD OVER 1.27µM/50µ" MIN. NICKEL
87623-2011			3.18	4.83	3.94		
87623-2012			3.18	3.18	3.18		
87623-2013			3.81	4.83	4.42	2.84	
87623-2101			2.79	3.18	3.18	1.57	
87623-2111			3.18	4.83	3.94		
87623-2113			3.81	4.83	4.42		
87623-2115			3.18	3.18	3.18	1.57	



**RECOMMENDED
P.C. BOARD HOLE PATTERN
(CONNECTOR SIDE)**

OBS TIN/LEAD P/N
EC NO: S2006-0734
DRWN:MLONG 2006/02/27
CHKD:JHO 2006/02/28
APPR:GJLEE 2006/03/01

QUALITY SYMBOLS
▽=0
◻=0

GENERAL TOLERANCES (UNLESS SPECIFIED)

	mm	INCH
4 PLACES	± ---	± ---
3 PLACES	± ---	± ---
2 PLACES	± 0.25	± ---
1 PLACE	± ---	± ---

ANGULAR ± 5 °

DRAFT WHERE APPLICABLE
MUST REMAIN
WITHIN DIMENSIONS

DIMENSION STYLE
MM ONLY

DRAWN BY	DATE	TITLE
LPLIM	2000/01/10	
CHECKED BY	DATE	
DSOH	2000/02/02	
APPROVED BY	DATE	
SKTOH	2000/02/02	

MATERIAL NO. SEE TABLE

SCALE
NTS

DESIGN UNITS
METRIC

THIRD ANGLE PROJECTION

DDR DIMM, 1.27MM PITCH
184 CKTS, 25 DEG.

molex MOLEX INCORPORATED

DOCUMENT NO. SD-87623-001

SHEET NO. 4 OF 4

THIS DRAWING CONTAINS INFORMATION THAT IS PROPRIETARY TO MOLEX INCORPORATED AND SHOULD NOT BE USED WITHOUT WRITTEN PERMISSION