

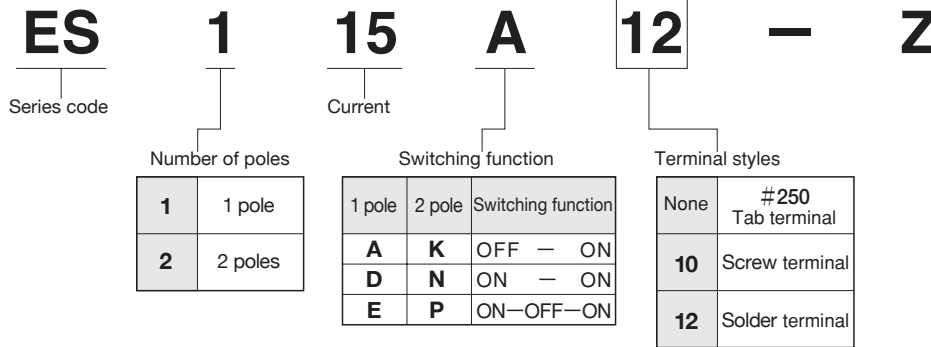
ES

Miniature Slide Switches

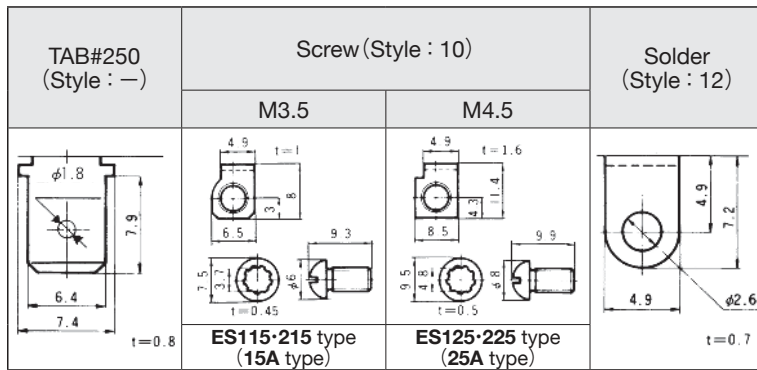
RoHS Compliant



Part Numbering

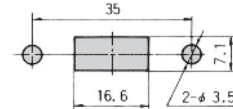


Terminal Styles

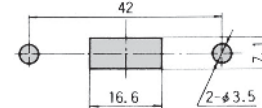


Panel Cut-Out Dimensions

ES115·125 type

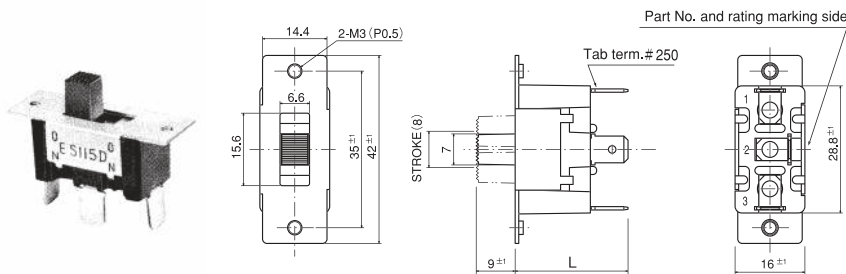


ES215·225 type



ES115 1-pole

Switches with switching function "A" do not have terminal No. 2.



Terminal numbers are shown on the bottom of the switch.

Dimension L

Part No.	Terminal style		
	TAB	Screw	Solder
ES115A■-Z	25.2±1	—	22.3±1
ES115D■-Z			
ES115E■-Z	25.7±1	—	22.8±1

Part No.	Switching function		
	Viewed from part No. marking side		
ES115A■-Z			
ES115D■-Z	OFF	—	ON
ES115E■-Z	ON	OFF	ON
Connecting terminals	2—1	—	2—3

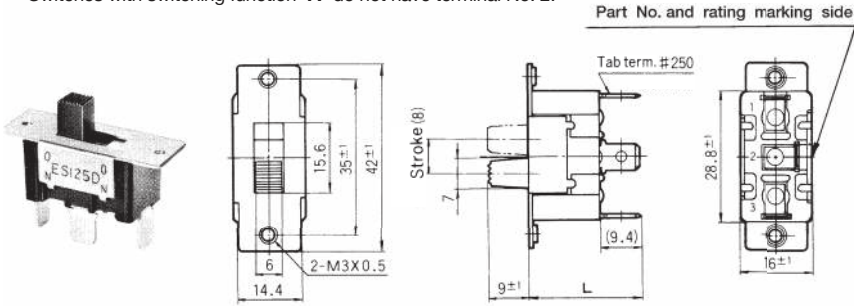
Specifications

Rating	Initial contact resistance	Dielectric strength	Insulation resistance	Electrical life
ES115A■-Z AC125V 15A ES115D■-Z AC250V 15A	20mΩ Max. (DC2~4V 100mA)	AC1500V 1分間/minute	100MΩ Min. (DC500V)	20,000 cycles
ES115E■-Z AC125V 15A AC250V 7A				

To check the full part number of the products marked with the ■, please refer to "Table of Part Numbers" on P. 505.

ES125 1-pole

Switches with switching function "A" do not have terminal No. 2.



Terminal numbers are shown on the bottom of the switch.

Specifications

Rating	Initial contact resistance	Dielectric strength	Insulation resistance	Electrical life
ES125A■-Z AC125V 25A ES125D■-Z AC250V 25A	20mΩ Max. (DC2~4V 100mA)	AC1500V 1分間/minute	100MΩ Min. (DC500V)	20,000 cycles
ES125E■-Z AC125V 25A AC250V 12A				

Dimension L

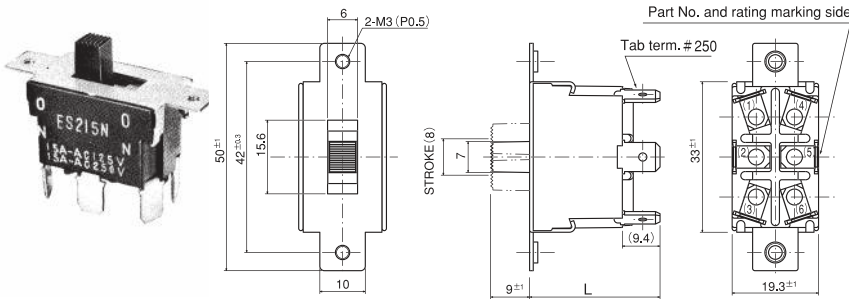
Terminal style	TAB	Screw	Solder
	Part No.		
ES125A■-Z	25.2±1	26.4±1	22.3±1
ES125D■-Z	—	—	—
ES125E■-Z	25.7±1	—	22.7±1

Switching function	Viewed from part No. marking side		
	OFF	ON	ON
Part No.			
ES125A■-Z	OFF	—	ON
ES125D■-Z	ON	—	ON
ES125E■-Z	ON	OFF	ON
Connecting terminals	—	—	1-3
ES125A■-Z	2-1	—	2-3

To check the full part number of the products marked with the ■, please refer to "Table of Part Numbers" on P. 505.

ES215 2-poles

Switches with switching function "K" do not have terminal No. 2 and No. 5.



Terminal numbers are shown on the bottom of the switch.

Specifications

Rating	Initial contact resistance	Dielectric strength	Insulation resistance	Electrical life
ES215K■-Z AC125V 15A ES215N■-Z AC250V 15A	20mΩ Max. (DC2~4V 100mA)	AC1500V 1分間/minute	100MΩ Min. (DC500V)	20,000 cycles
ES215P■-Z AC125V 15A AC250V 7A				

Dimension L

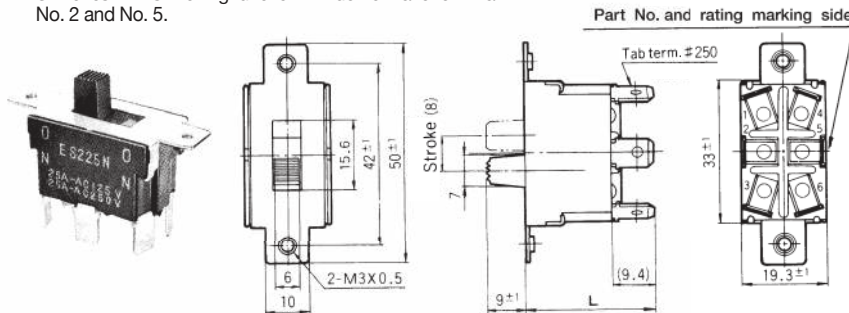
Terminal style	TAB	Screw	Solder
	Part No.		
ES215K■-Z	—	—	26.4±1
ES215N■-Z	29.3±1	27.1±1	—
ES215P■-Z	—	—	—

Switching function	Viewed from part No. marking side		
	OFF	ON	ON
Part No.			
ES215K■-Z	OFF	—	ON
ES215N■-Z	ON	—	ON
ES215P■-Z	ON	OFF	ON
Connecting terminals	—	—	1-3 4-6
ES215K■-Z	2-1 5-4	—	2-3 5-6

To check the full part number of the products marked with the ■, please refer to "Table of Part Numbers" on P. 505.

ES225 2-poles

Switches with switching function "K" do not have terminal No. 2 and No. 5.



Terminal numbers are shown on the bottom of the switch.

Specifications

Rating	Initial contact resistance	Dielectric strength	Insulation resistance	Electrical life
ES225K■-Z AC125V 25A ES225N■-Z AC250V 25A	20mΩ Max. (DC2~4V 100mA)	AC1500V 1分間/minute	100MΩ Min. (DC500V)	20,000 cycles
ES225P■-Z AC125V 25A AC250V 12A				

Dimension L

Terminal style	TAB	Screw	Solder
	Part No.		
ES225K■-Z	—	—	26.4±1
ES225N■-Z	29.3±1	30.6±1	—
ES225P■-Z	—	—	—

Switching function	Viewed from part No. marking side		
	OFF	ON	ON
Part No.			
ES225K■-Z	OFF	—	ON
ES225N■-Z	ON	—	ON
ES225P■-Z	ON	OFF	ON
Connecting terminals	—	—	1-3 4-6
ES225K■-Z	2-1 5-4	—	2-3 5-6

To check the full part number of the products marked with the ■, please refer to "Table of Part Numbers" on P. 505.

■ indicates the terminal style number ("None", "10", or "12").