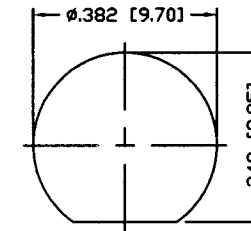
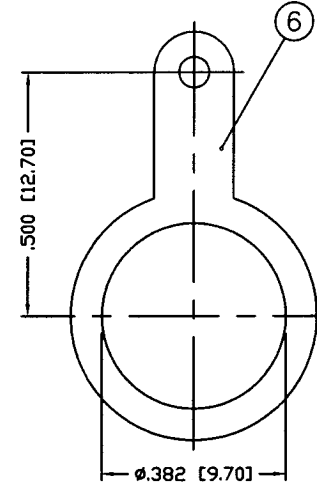
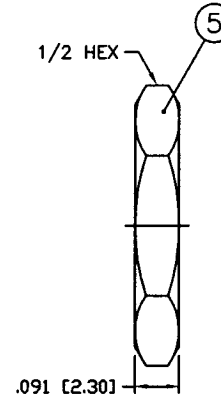
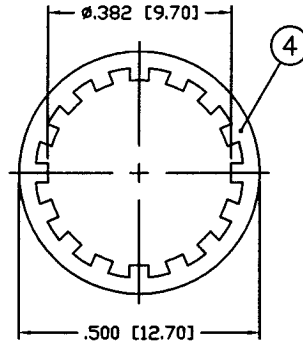
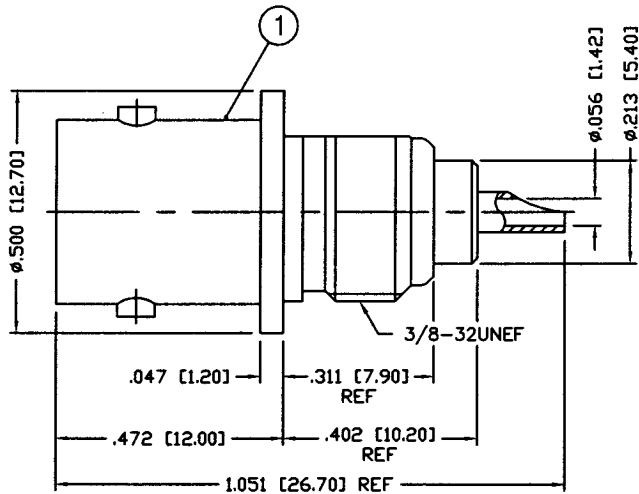


THIS DRAWING CONTAINS INFORMATION PROPRIETARY TO RF INDUSTRIES.
 ANY UNAUTHORIZED USE OF THIS DRAWING IS EXPRESSLY PROHIBITED
 WITHOUT WRITTEN PERMISSION FROM RF INDUSTRIES.
 ANY VIOLATION IS PUNISHABLE UNDER U.S. COPYRIGHT LAWS.

PART NO.

RP-1116-NG

REV	DESCRIPTION	DWN	DATE	APPROVED
-	ENGINEERING RELEASE	CZS	09/99	JDMc



RECOMMENDED
MOUNTING HOLE

SPECIFICATIONS:

IMPEDANCE: 50 OHMS

ALL DIMENSIONS ARE REFERENCE ONLY

1	BODY	1	BRASS	NICKEL, 100 MICRO	008974	UNLESS OTHERWISE SPECIFIED: 1. REMOVE ALL BURRS 2. BREAK ALL CORNERS & EDGES .005 R. MAX. 3. CHAMFER 1ST & LAST THREADS 45° 4. SURFACE ROUGHNESS 63 FINISH MIL-STD-10 5. DIAMETERS ON COMMON CENTERS TO BE CONCENTRIC WITHIN .002 T.I.R. 6. ALL DIMENSIONS ARE AFTER PLATING.
2	INSULATOR	1	PTFE	---		
3	CONTACT	1	BRASS	GOLD, 3 MICRO		
4	LOCK WASHER	1	BRASS	NICKEL, 100 MICRO		
5	HEX NUT	1	BRASS	NICKEL, 100 MICRO		
6	SOLDER LUG	1	BRASS	NICKEL, 100 MICRO		
7						
8						
9						
10						
11						
12						
13						
14						
#	DESCRIPTION	QTY	MATRL	FINISH	APPROVALS	DATE

DRAWN
C. ZUNIGA 8/1/00
CHECKED
JDMc 330-01
ORJ DRAWN
C. ZUNIGA 8/1/00

DIMENSIONS ARE IN INCHES AND [MILLIMETERS]
UNLESS OTHERWISE NOTED TOLERANCES ARE:
DECIMALS DIAMETER
.xxx±.003 [.08] .xxx±.001 [.03]
.xx±.005 [.13] .xx±.003 [.08]

RF connectors
DIVISION OF RF INDUSTRIES, LTD.

7610 MIRAMAR RD
SAN DIEGO, CA 92126
(858) 549-6340
(858) 549-6345 FAX

BNC, REVERSE POLARITY

BULKHEAD, RECEPTACLE JACK

SIZE A	CABLE GROUP N/A	DWG NO. RP-1116-NG	REV -
SCALE: NTS		CAD FILE OUTLINE	SHEET 1 OF 1