

SN65HVD1050A-Q1 EMC-Optimized High-Speed Can Transceiver

1 Features

- Qualified for Automotive Applications
- Improved Drop-In Replacement for TJA1050
- Meets or Exceeds the Requirements of ISO 11898-2
- GIFT/ICT Compliant
- ESD Protection up to ± 12 kV (Human-Body Model) on Bus Pins
- High Electromagnetic Compliance (EMC)
- Bus-Fault Protection of -27 V to 40 V
- Dominant Time-Out Function
- Thermal Shutdown Protection
- Power Up and Power Down Glitch-Free Bus Inputs and Outputs
 - High Input Impedance With Low V_{CC}
 - Monotonic Outputs During Power Cycling

2 Applications

- GMW3122 Dual-Wire CAN Physical Layer
- SAE J2284 High-Speed CAN for Automotive Applications
- SAE J1939 Standard Data Bus Interfaces
- ISO 11783 Standard Data Bus Interfaces
- NMEA 2000 Standard Data Bus Interfaces

3 Description

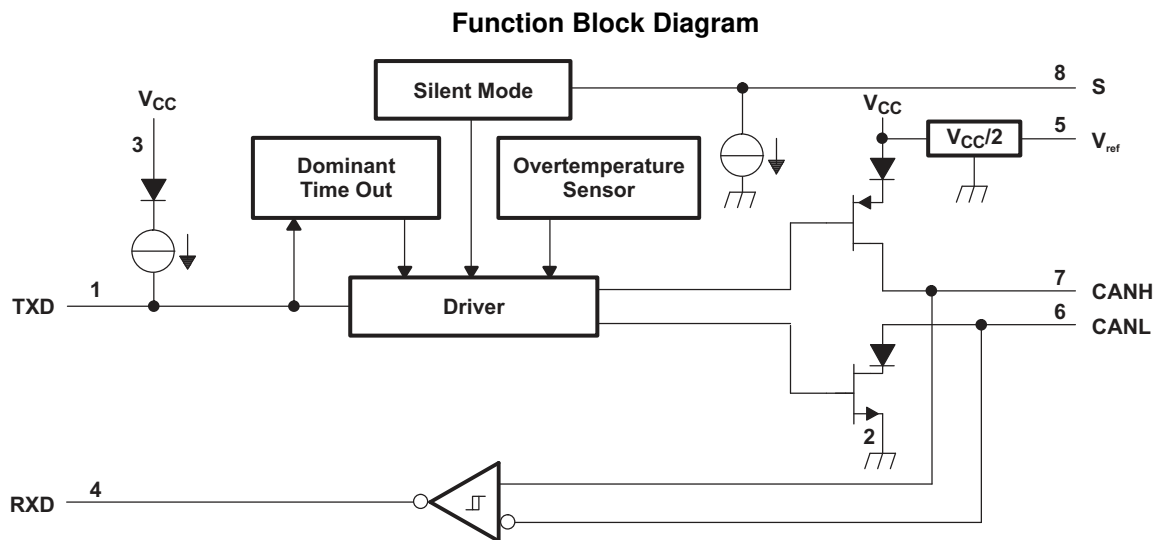
The SN65HVD1050A-Q1 meets or exceeds the specifications of the ISO 11898 standard for use in applications employing a Controller Area Network (CAN). The device is qualified for use in automotive applications.

As a CAN transceiver, this device provides differential transmit capability to the bus and differential receive capability to a CAN controller at signaling rates up to 1 megabit per second (Mbps). The signaling rate of a line is the number of voltage transitions that are made per second expressed in the units bps (bits per second).

Device Information⁽¹⁾

| PART NUMBER | PACKAGE | BODY SIZE (NOM) |
|-----------------|----------|-------------------|
| SN65HVD1050A-Q1 | SOIC (8) | 4.90 mm × 3.91 mm |

(1) For all available packages, see the orderable addendum at the end of the data sheet.



Copyright © 2016, Texas Instruments Incorporated



Table of Contents

| | | | | | |
|----------|--|----------|-----------|---|-----------|
| 1 | Features | 1 | 8 | Parameter Measurement Information | 8 |
| 2 | Applications | 1 | 9 | Detailed Description | 12 |
| 3 | Description | 1 | 9.1 | Overview | 12 |
| 4 | Revision History | 2 | 9.2 | Functional Block Diagram | 12 |
| 5 | Description (continued) | 3 | 9.3 | Feature Description | 12 |
| 6 | Pin Configuration and Functions | 3 | 9.4 | Device Functional Modes | 13 |
| 7 | Specifications | 4 | 10 | Application and Implementation | 16 |
| 7.1 | Absolute Maximum Ratings | 4 | 10.1 | Application Information | 16 |
| 7.2 | ESD Ratings | 4 | 10.2 | Typical Application | 17 |
| 7.3 | Recommended Operating Conditions | 4 | 11 | Power Supply Recommendations | 20 |
| 7.4 | Thermal Information | 5 | 12 | Layout | 20 |
| 7.5 | Electrical Characteristics: Supply Current | 5 | 12.1 | Layout Guidelines | 20 |
| 7.6 | Electrical Characteristics: Driver | 5 | 12.2 | Layout Example | 21 |
| 7.7 | Electrical Characteristics: Receiver | 6 | 13 | Device and Documentation Support | 22 |
| 7.8 | Switching Characteristics: Device | 6 | 13.1 | Receiving Notification of Documentation Updates | 22 |
| 7.9 | Switching Characteristics: Driver | 6 | 13.2 | Community Resources | 22 |
| 7.10 | Switching Characteristics: Receiver | 7 | 13.3 | Trademarks | 22 |
| 7.11 | S Pin Characteristics | 7 | 13.4 | Electrostatic Discharge Caution | 22 |
| 7.12 | V _{REF} Pin Characteristics | 7 | 13.5 | Glossary | 22 |
| 7.13 | Typical Characteristics | 7 | 14 | Mechanical, Packaging, and Orderable Information | 22 |

4 Revision History

NOTE: Page numbers for previous revisions may differ from page numbers in the current version.

| Changes from Revision A (January 2011) to Revision B | Page |
|--|-------------|
| • Added <i>ESD Ratings</i> table, <i>Feature Description</i> section, <i>Device Functional Modes</i> , <i>Application and Implementation</i> section, <i>Power Supply Recommendations</i> section, <i>Layout</i> section, <i>Device and Documentation Support</i> section, and <i>Mechanical, Packaging, and Orderable Information</i> section. | 1 |
| • Deleted <i>Ordering Information</i> table, see POA at the end of the data sheet | 1 |
| • Deleted obsolete SN65HVD1050AL device from the data sheet | 1 |

5 Description (continued)

Designed for operation in especially harsh environments, the SN65HVD1050A-Q1 features cross-wire, overvoltage, and loss of ground protection from -27 V to 40 V , overtemperature protection, a -12-V to 12-V common-mode range, and withstands voltage transients according to ISO 7637.

Pin 8 provides for two different modes of operation: high-speed or silent mode. The high-speed mode of operation is selected by connecting S (pin 8) to ground.

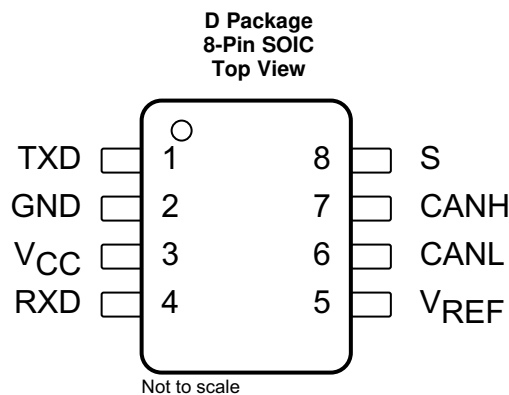
If a high logic level is applied to the S pin of the SN65HVD1050A-Q1, the device enters a listen-only silent mode during which the driver is switched off while the receiver remains fully functional.

In silent mode, all bus activity is passed by the receiver output to the local protocol controller. When data transmission is required the local protocol controller must transition the device to high speed mode by placing a logic low on the S pin to resume full operation.

A dominant time-out circuit in the SN65HVD1050A-Q1 prevents the driver from blocking network communication with a hardware or software failure. The time-out circuit is triggered by a falling edge on TXD (pin 1). If no rising edge is seen before the time-out constant of the circuit expires, the driver is disabled. The circuit is then reset by the next rising edge on TXD.

V_{REF} (pin 5) is available as a $V_{\text{CC}} / 2$ voltage reference.

6 Pin Configuration and Functions



Pin Functions

| PIN | | TYPE | DESCRIPTION |
|------------------|-----|--------|--|
| NAME | NO. | | |
| CANH | 7 | I/O | HIGH-level CAN bus line |
| CANL | 6 | I/O | LOW-level CAN bus line |
| GND | 2 | GND | Ground connection |
| RXD | 4 | O | CAN receiver data output (low in dominant bus state, high in recessive bus state) |
| V_{REF} | 5 | O | Common-mode stabilization output for split termination |
| S | 8 | I | Silent mode select pin (active-high) |
| TXD | 1 | I | CAN transmit data input (low for dominant bus state, high for recessive bus state) |
| V_{CC} | 3 | Supply | Transceiver 5-V supply voltage input |

7 Specifications

7.1 Absolute Maximum Ratings

 See ⁽¹⁾

| | | MIN | MAX | UNIT |
|------------------|---|--|-----|------|
| V _{CC} | Supply voltage ⁽²⁾ | -0.3 | 6 | V |
| | Voltage at any bus terminal (CANH, CANL, V _{ref}) | -27 | 40 | V |
| I _O | Receiver output current | | 20 | mA |
| V _I | Voltage input, ISO 7637 transient pulse ⁽³⁾ (CANH, CANL) | -150 | 100 | V |
| V _I | Voltage input (TXD, S) | -0.3 | 6 | V |
| T _J | Junction temperature | -40 | 150 | °C |
| P _D | Average power dissipation | V _{CC} = 5 V, T _J = 27°C, R _L = 60 Ω, S at 0 V, Input to TXD at 500 kHz, 50% duty cycle square wave, CL at RXD = 15 pF | 112 | mW |
| | | V _{CC} = 5.5 V, T _J = 130°C, R _L = 45 Ω, S at 0 V, Input to TXD at 500 kHz, 50% duty cycle square wave, CL at RXD = 15 pF | 170 | |
| | Thermal shutdown temperature | 190 | | °C |
| T _{stg} | Storage temperature | -65 | 150 | °C |

- (1) Stresses beyond those listed under *Absolute Maximum Ratings* may cause permanent damage to the device. These are stress ratings only, which do not imply functional operation of the device at these or any other conditions beyond those indicated under *Recommended Operating Conditions*. Exposure to absolute-maximum-rated conditions for extended periods may affect device reliability.
- (2) All voltage values, except differential I/O bus voltages, are with respect to network ground terminal.
- (3) Tested in accordance with ISO 7637 test pulses 1, 2, 3a, 3b per IBEE system level test (Pulse 1 = -100 V, Pulse 2 = 100 V, Pulse 3a = -150 V, Pulse 3b = 100 V). If dc may be coupled with ac transients, externally protect the bus pins within the absolute maximum voltage range at any bus terminal. This device has been tested with dc bus shorts to 40 V with leading common-mode chokes. If common-mode chokes are used in the system and the bus lines may be shorted to dc, ensure that the choke type and value in combination with the node termination and shorting voltage either will not create inductive flyback outside of voltage maximum specification or use an external transient-suppression circuit to protect the transceiver from the inductive transients.

7.2 ESD Ratings

| | | | VALUE | UNIT |
|--------------------|--|---|-----------------------------|--------|
| V _(ESD) | Electrostatic discharge ⁽¹⁾ | Human-body model (HBM), per ANSI/ESDA/JEDEC JS-001 ⁽²⁾ | All pins except 6 and 7 | ±4000 |
| | | | Pins 6 and 7 ⁽³⁾ | ±12000 |
| | | Charged-device model (CDM), per JEDEC specification JESD22-C101 ⁽⁴⁾⁽⁵⁾ | | ±1500 |
| | | Machine model ⁽⁶⁾ | | ±200 |

- (1) All typical values at 25°C.
- (2) JEDEC document JEP155 states that 500-V HBM allows safe manufacturing with a standard ESD control process.
- (3) Test method based upon JEDEC Standard 22 Test Method A114E, CANH and CANL bus pins stressed with respect to each other and GND.
- (4) JEDEC document JEP157 states that 250-V CDM allows safe manufacturing with a standard ESD control process.
- (5) Tested in accordance JEDEC Standard 22, Test Method C101C.
- (6) Tested in accordance JEDEC Standard 22, Test Method A115A.

7.3 Recommended Operating Conditions

| | | MIN | MAX | UNIT | |
|-----------------------------------|---|---|------|------|----|
| V _{CC} | Supply voltage | 4.75 | 5.25 | V | |
| V _I or V _{IC} | Voltage at any bus terminal (separately or common mode) | -12 | 12 | V | |
| V _{IH} | High-level input voltage | TXD, S | 2 | 5.25 | V |
| V _{IL} | Low-level input voltage | TXD, S | 0 | 0.8 | V |
| V _{ID} | Differential input voltage | | -6 | 6 | V |
| I _{OH} | High-level output current | Driver | -70 | mA | |
| | | Receiver | -2 | | |
| I _{OL} | Low-level output current | Driver | 70 | mA | |
| | | Receiver | 2 | | |
| T _A | Operating free-air temperature | See Thermal Information . | -40 | 125 | °C |

7.4 Thermal Information

| THERMAL METRIC ⁽¹⁾ | | SN65HVD1050A-Q1 | | UNIT |
|-------------------------------|---|--|------|------|
| | | D (SOIC) | | |
| | | 8 PINS | | |
| R _{θJA} | Junction-to-ambient thermal resistance ⁽²⁾ | Low-K thermal resistance ⁽³⁾ | 211 | °C/W |
| | | High-K thermal resistance ⁽³⁾ | 131 | |
| R _{θJC(top)} | Junction-to-case (top) thermal resistance | | 79 | °C/W |
| R _{θJB} | Junction-to-board thermal resistance | | 53 | °C/W |
| Ψ _{JT} | Junction-to-top characterization parameter | | 8 | °C/W |
| Ψ _{JB} | Junction-to-board characterization parameter | | 49.6 | °C/W |
| R _{θJC(bot)} | Junction-to-case (bottom) thermal resistance | | 79 | °C/W |

- (1) For more information about traditional and new thermal metrics, see the [Semiconductor and IC Package Thermal Metrics](#) application report.
- (2) The junction temperature (T_J) is calculated using the following T_J = T_A + (P_D × R_{θJA}).
- (3) Tested in accordance with the Low-K (EIA/JESD51-3) or High-K (EIA/JESD51-7) thermal metric definitions for leaded surface-mount packages.

7.5 Electrical Characteristics: Supply Current

over recommended operating conditions, T_A = –40 to 125°C (unless otherwise noted)⁽¹⁾

| PARAMETER | | TEST CONDITIONS | MIN | TYP | MAX | UNIT |
|-----------------|--------------------|-----------------|---|-----|-----|------|
| I _{CC} | 5-V supply current | Silent mode | S at V _{CC} , V _I = V _{CC} | 6 | 10 | mA |
| | | Dominant | V _I = 0 V, 60-Ω load, S at 0 V | 50 | 70 | |
| | | Recessive | V _I = V _{CC} , No load, S at 0 V | 6 | 10 | |

- (1) All typical values are at 25°C with a 5-V supply.

7.6 Electrical Characteristics: Driver

over recommended operating conditions, T_A = –40 to 125°C (unless otherwise noted)⁽¹⁾

| PARAMETER | | TEST CONDITIONS | MIN | TYP | MAX | UNIT | |
|----------------------|---|---|--|------|-------|------|---|
| V _{O(D)} | Bus output voltage (dominant) | CANH | V _I = 0 V, S at 0 V, R _L = 60 Ω, See Figure 3 and Figure 4 | 2.9 | 3.4 | 4.5 | V |
| | | CANL | | 0.8 | | 1.5 | |
| V _{O(R)} | Bus output voltage (recessive) | V _I = 3 V, S at 0 V, R _L = 60 Ω, See Figure 3 and Figure 4 | 2 | 2.3 | 3 | V | |
| V _{OD(D)} | Differential output voltage (dominant) | V _I = 0 V, R _L = 60 Ω, S at 0 V, See Figure 3 , Figure 4 , and Figure 5 | 1.5 | | 3 | V | |
| | | V _I = 0 V, R _L = 45 Ω, S at 0 V, See Figure 3 , Figure 4 , and Figure 5 | 1.4 | | 3 | V | |
| V _{OD(R)} | Differential output voltage (recessive) | V _I = 3 V, S at 0 V, See Figure 3 and Figure 4 | –0.012 | | 0.012 | V | |
| | | V _I = 3 V, S at 0 V, No Load | –0.5 | | 0.05 | | |
| V _{OC(ss)} | Steady state common-mode output voltage | S at 0 V, Figure 10 | 2 | 2.3 | 3 | V | |
| ΔV _{OC(ss)} | Change in steady-state common-mode output voltage | | | 30 | | mV | |
| I _{IH} | High-level input current, TXD input | V _I at V _{CC} | –2 | | 2 | μA | |
| I _{IL} | Low-level input current, TXD input | V _I at 0 V | –50 | | –10 | | |
| I _{O(off)} | Power-off TXD output current | V _{CC} at 0 V, TXD at 5 V | | | 1 | | |
| I _{OS(ss)} | Short-circuit steady-state output current | V _{CANH} = –12 V, CANL open, See Figure 13 | –105 | –72 | | mA | |
| | | V _{CANH} = 12 V, CANL open, See Figure 13 | | 0.36 | 1 | | |
| | | V _{CANL} = –12 V, CANH open, See Figure 13 | –1 | –0.5 | | | |
| | | V _{CANL} = 12 V, CANH open, See Figure 13 | | 71 | 105 | | |
| C _O | Output capacitance | See receiver input capacitance. | | | | | |

- (1) All typical values are at 25°C with a 5-V supply.

7.7 Electrical Characteristics: Receiver

over recommended operating conditions, $T_A = -40$ to 125°C (unless otherwise noted)⁽¹⁾

| PARAMETER | | TEST CONDITIONS | MIN | TYP | MAX | UNIT |
|--------------|---|---|-----|-----|-----|------------------|
| V_{IT+} | Positive-going input threshold voltage | S at 0 V, See Table 1 | | 800 | 900 | mV |
| V_{IT-} | Negative-going input threshold voltage | S at 0 V, See Table 1 | 500 | 650 | | mV |
| V_{hys} | Hysteresis voltage ($V_{IT+} - V_{IT-}$) | | 100 | 125 | | mV |
| V_{OH} | High-level output voltage | $I_O = -2$ mA, See Figure 8 | 4 | 4.6 | | V |
| V_{OL} | Low-level output voltage | $I_O = 2$ mA, See Figure 8 | | 0.2 | 0.4 | V |
| $I_{I(off)}$ | Power-off bus input current | CANH or CANL = 5 V, Other pin at 0 V, V_{CC} at 0 V, TXD at 0 V | | 165 | 250 | μA |
| $I_{O(off)}$ | Power-off RXD leakage current | V_{CC} at 0 V, RXD at 5 V | | | 20 | μA |
| C_I | Input capacitance to ground (CANH or CANL) | TXD at 3 V, $V_I = 0.4 \sin(4E6\pi t) + 2.5$ V | | 13 | | pF |
| C_{ID} | Differential input capacitance | TXD at 3 V, $V_I = 0.4 \sin(4E6\pi t)$ | | 6 | | pF |
| R_{ID} | Differential input resistance | TXD at 3 V, S at 0 V | 30 | | 80 | $\text{k}\Omega$ |
| R_{IN} | Input resistance (CANH or CANL) | TXD at 3 V, S at 0 V | 15 | 30 | 40 | $\text{k}\Omega$ |
| $R_{I(m)}$ | Input resistance matching $[1 - (R_{IN(CANH)} / R_{IN(CANL)})] \times 100\%$ | $V_{(CANH)} = V_{(CANL)}$ | -3% | 0% | 3% | |

(1) All typical values are at 25°C with a 5-V supply.

7.8 Switching Characteristics: Device

over recommended operating conditions, $T_A = -40$ to 125°C (unless otherwise noted)

| PARAMETER | | TEST CONDITIONS | MIN | MAX | UNIT |
|----------------|--|---|-----|-----|------|
| $t_{d(LOOP1)}$ | Total loop delay, driver input to receiver output, recessive to dominant | S at 0 V, See Figure 11 | 90 | 230 | ns |
| $t_{d(LOOP2)}$ | Total loop delay, driver input to receiver output, dominant to recessive | S at 0 V, See Figure 11 | 90 | 230 | ns |

7.9 Switching Characteristics: Driver

over recommended operating conditions, $T_A = -40$ to 125°C (unless otherwise noted)⁽¹⁾

| | | | MIN | TYP | MAX | UNIT |
|-------------|--|--|-----|-----|-----|---------------|
| t_{PLH} | Propagation delay time, low-to-high level output | S at 0 V, See Figure 6 | 25 | 65 | 120 | ns |
| t_{PHL} | Propagation delay time, high-to-low level output | S at 0 V, See Figure 6 | 25 | 45 | 120 | ns |
| t_r | Differential output signal rise time | S at 0 V, See Figure 6 | | 25 | | ns |
| t_f | Differential output signal fall time | S at 0 V, See Figure 6 | | 50 | | ns |
| t_{en} | Enable time from silent mode to dominant | See Figure 9 | | | 1 | μs |
| $t_{(dom)}$ | Dominant time out ⁽²⁾ | $\downarrow V_I$, See Figure 12 | 300 | 450 | 700 | μs |

(1) All typical values are at 25°C with a 5-V supply.

(2) The TXD dominant time out ($t_{(dom)}$) will disable the driver of the transceiver once the TXD has been dominant longer than $t_{(dom)}$ which will release the bus lines to recessive preventing a local failure from locking the bus dominant. The driver may only transmit dominant again after TXD has been returned HIGH (recessive). While this protects the bus from local faults locking the bus dominant it will limit the minimum data rate possible. The CAN protocol allows a maximum of eleven successive dominant bits (on TXD) for the worst case where five successive dominant bits are followed immediately by an error frame. This along with the $t_{(dom)}$ minimum will limit the minimum bit rate. The minimum bit rate may be calculated by: Minimum Bit Rate = $11 / t_{(dom)} = 11 \text{ bits} / 300 \mu\text{s} = 37 \text{ kbps}$.

7.10 Switching Characteristics: Receiver

over recommended operating conditions, $T_A = -40$ to 125°C (unless otherwise noted)⁽¹⁾

| PARAMETER | TEST CONDITIONS | MIN | TYP | MAX | UNIT |
|--|-------------------------------------|-----|-----|-----|------|
| t_{PLH} Propagation delay time, low-to-high-level output | S at 0 V or V_{CC} . See Figure 8 | 60 | 100 | 130 | ns |
| t_{PHL} Propagation delay time, high-to-low-level output | | 45 | 70 | 130 | ns |
| t_r Output signal rise time | | | 8 | | ns |
| t_f Output signal fall time | | | 8 | | ns |

(1) All typical values are at 25°C with a 5-V supply.

7.11 S Pin Characteristics

over recommended operating conditions, $T_A = -40$ to 125°C (unless otherwise noted)⁽¹⁾

| PARAMETER | TEST CONDITIONS | MIN | TYP | MAX | UNIT |
|-----------------------------------|-----------------|-----|-----|-----|---------------|
| I_{IH} High level input current | S at 2 V | 20 | 40 | 70 | μA |
| I_{IL} Low level input current | S at 0.8 V | 5 | 20 | 30 | μA |

(1) All typical values are at 25°C with a 5-V supply.

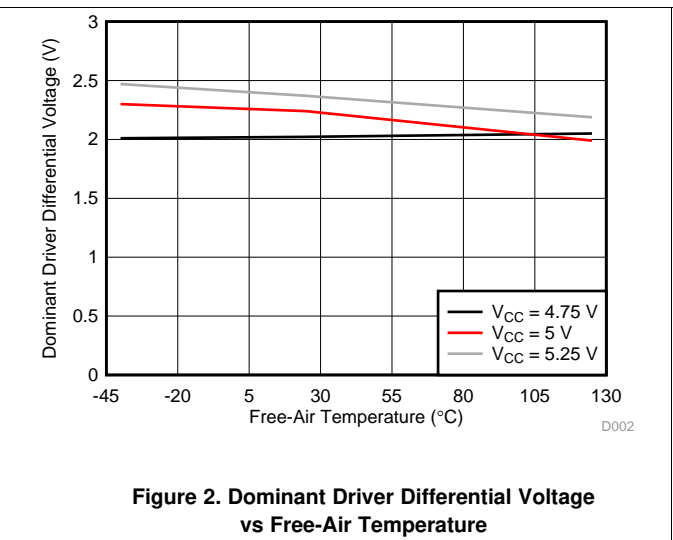
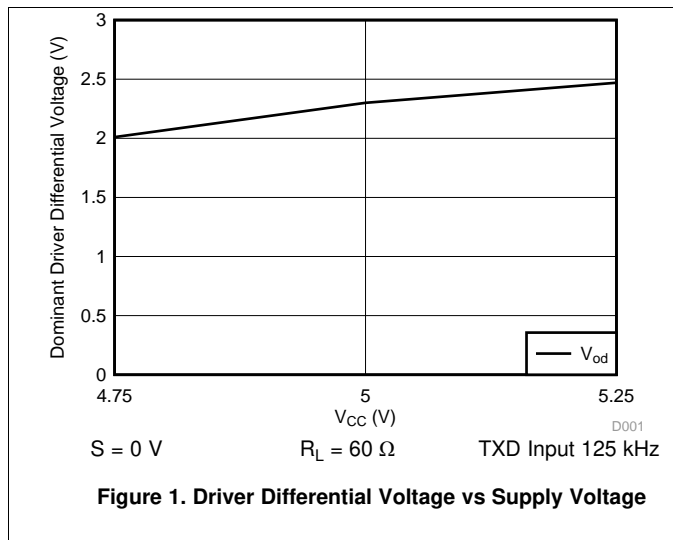
7.12 V_{REF} Pin Characteristics

over recommended operating conditions, $T_A = -40$ to 125°C (unless otherwise noted)⁽¹⁾

| PARAMETER | TEST CONDITIONS | MIN | TYP | MAX | UNIT |
|--------------------------------|--|--------------|--------------|--------------|------|
| V_O Reference output voltage | $-50 \mu\text{A} < I_O < 50 \mu\text{A}$ | $0.4 V_{CC}$ | $0.5 V_{CC}$ | $0.6 V_{CC}$ | V |

(1) All typical values are at 25°C with a 5-V supply.

7.13 Typical Characteristics



Parameter Measurement Information (continued)

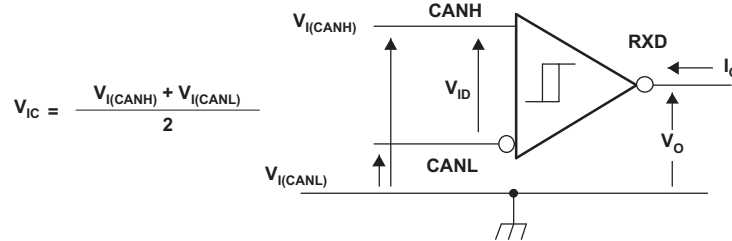
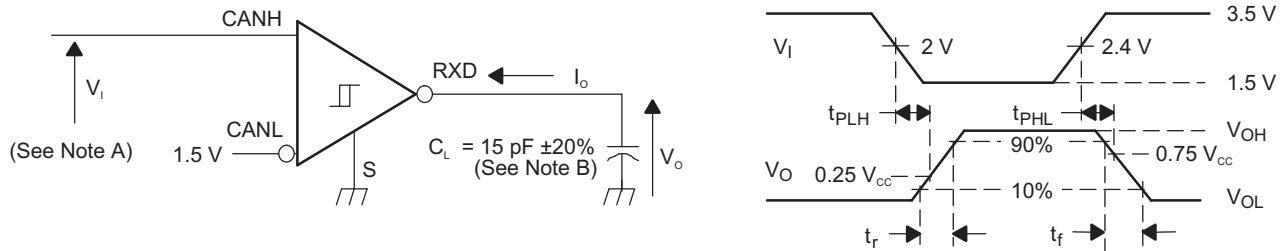


Figure 7. Receiver Voltage and Current Definitions

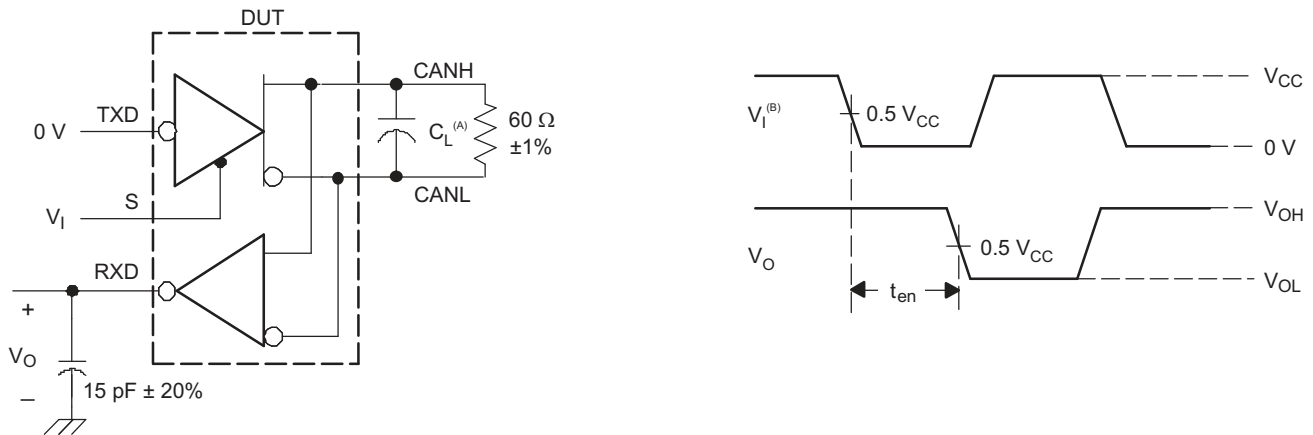


- A. The input pulse is supplied by a generator having the following characteristics: PRR ≤ 125 kHz, 50% duty cycle, $t_r \leq 6$ ns, $t_f \leq 6$ ns, $Z_O = 50 \Omega$.
- B. C_L includes instrumentation and fixture capacitance within ±20%.

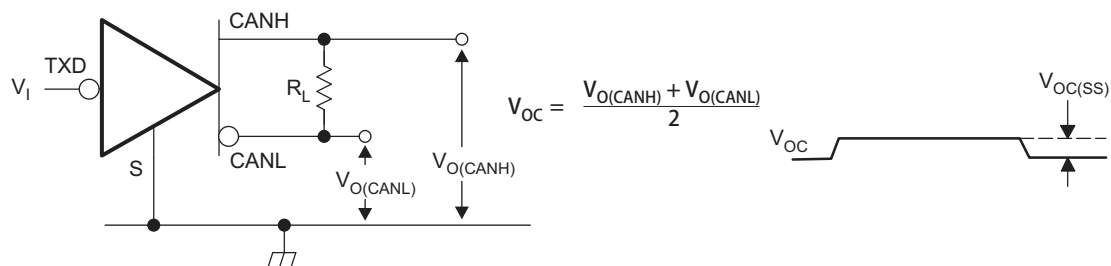
Figure 8. Receiver Test Circuit and Voltage Waveforms

Table 1. Differential Input Voltage Threshold Test

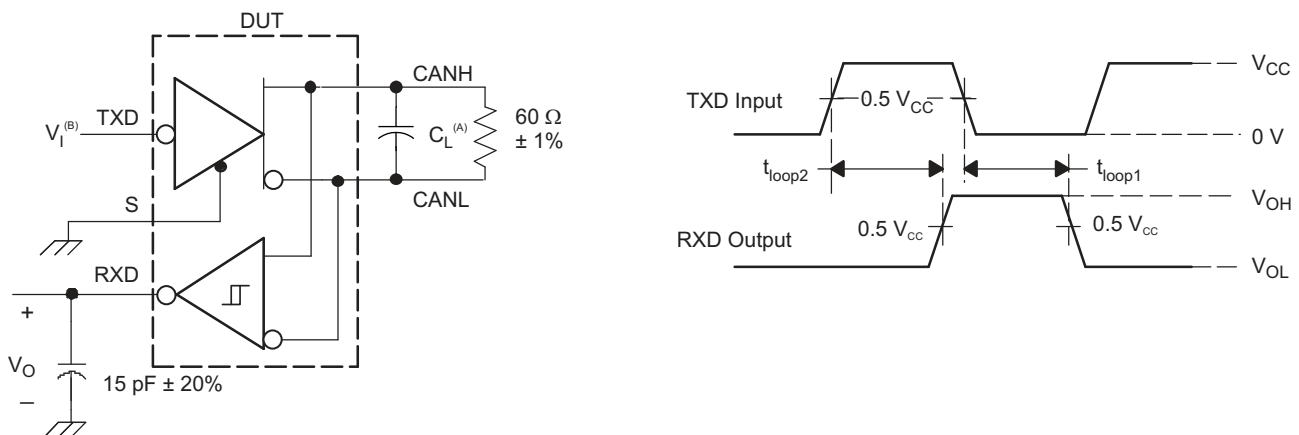
| INPUT | | | OUTPUT | |
|------------|------------|------------|--------|----------|
| V_{CANH} | V_{CANL} | $ V_{ID} $ | R | |
| -11.1 V | -12 V | 900 mV | L | V_{OL} |
| 12 V | 11.1 V | 900 mV | L | |
| -6 V | -12 V | 6 V | L | |
| 12 V | 6 V | 6 V | L | |
| -11.5 V | -12 V | 500 mV | H | V_{OH} |
| 12 V | 11.5 V | 500 mV | H | |
| -12 V | -6 V | 6 V | H | |
| 6 V | 12 V | 6 V | H | |
| Open | Open | X | H | |



- A. $C_L = 100 \text{ pF}$ and includes instrumentation and fixture capacitance within $\pm 20\%$.
- B. All V_I input pulses are supplied by a generator having the following characteristics: t_r or $t_f \leq 6 \text{ ns}$, pulse repetition rate (PRR) = 125 kHz, 50% duty cycle.

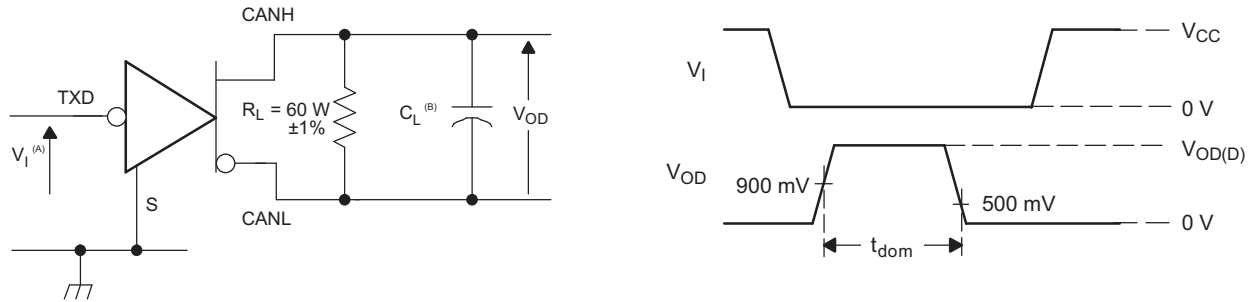
Figure 9. t_{en} Test Circuit and Waveforms


NOTE: All V_I input pulses are from 0 V to V_{CC} and supplied by a generator having the following characteristics: t_r or $t_f \leq 6 \text{ ns}$, pulse repetition rate (PRR) = 125 kHz, 50% duty cycle.

Figure 10. Common-Mode Output Voltage Test and Waveforms


- A. $C_L = 100 \text{ pF}$ and includes instrumentation and fixture capacitance within $\pm 20\%$.
- B. All V_I input pulses are from 0 V to V_{CC} and supplied by a generator having the following characteristics: t_r or $t_f \leq 6 \text{ ns}$, pulse repetition rate (PRR) = 125 kHz, 50% duty cycle.

Figure 11. $t_{(LOOP)}$ Test Circuit and Waveforms



- A. All V_1 input pulses are from 0 V to V_{CC} and supplied by a generator having the following characteristics: t_r or $t_f \leq 6$ ns, pulse repetition rate (PRR) = 500 Hz, 50% duty cycle.
- B. $C_L = 100$ pF includes instrumentation and fixture capacitance within $\pm 20\%$.

Figure 12. Dominant Time-Out Test Circuit and Waveforms

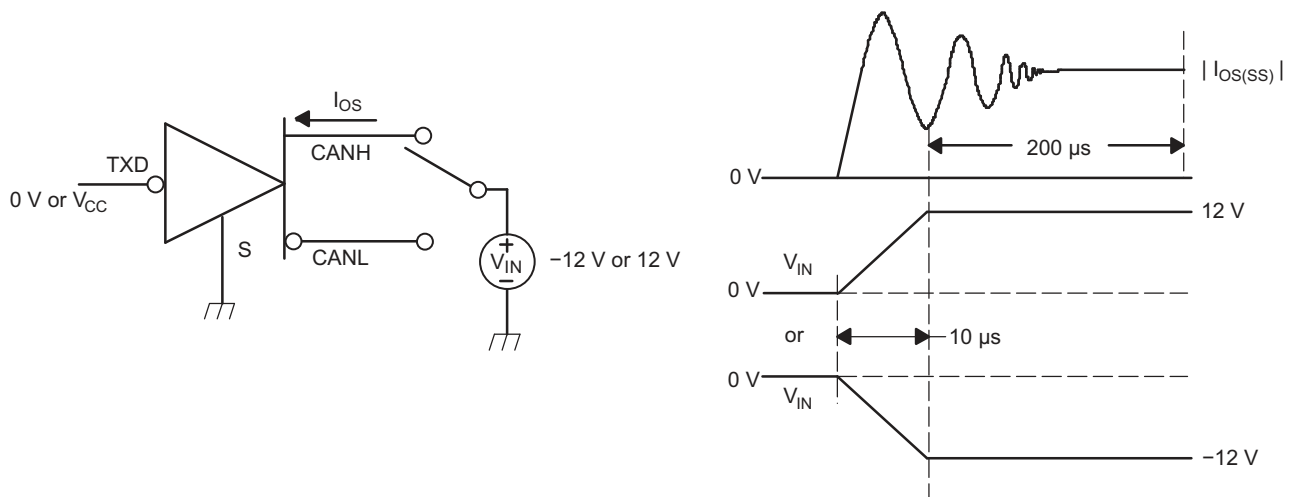


Figure 13. Driver Short-Circuit Current Test and Waveforms

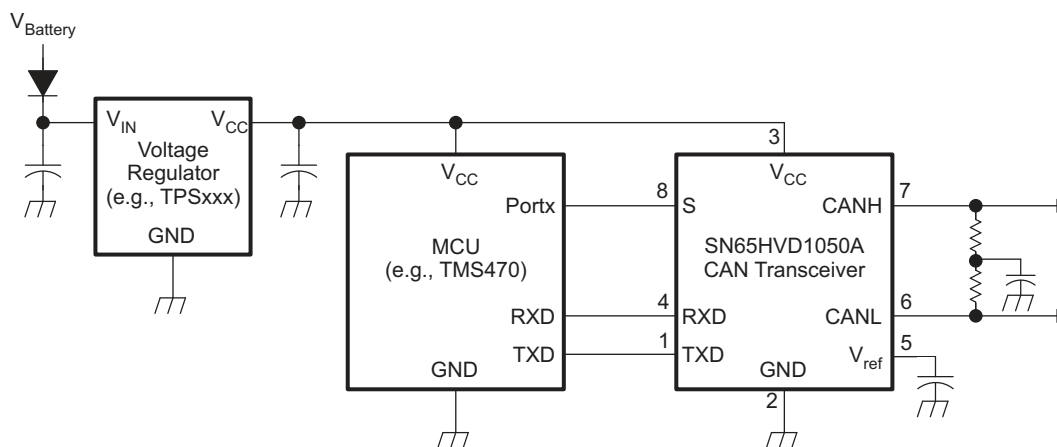


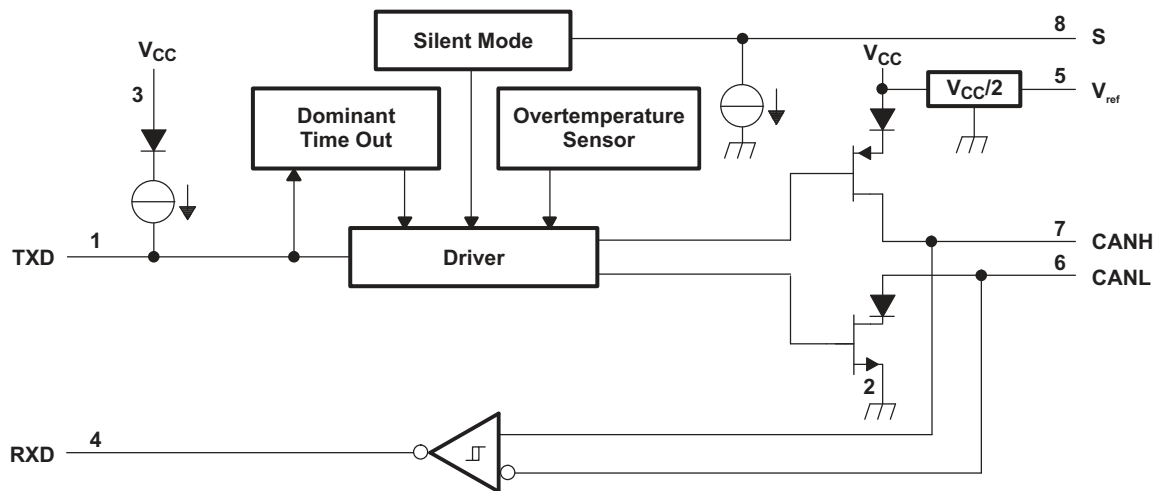
Figure 14. Typical Application

9 Detailed Description

9.1 Overview

The SN65HVD1050A-Q1 CAN transceiver is compatible with the ISO 11898-2 high-speed controller area network (CAN) physical layer standard. The device is designed to interface between the differential bus lines in controller area network and the CAN protocol controller at data rates up to 1 Mbps.

9.2 Functional Block Diagram



Copyright © 2016, Texas Instruments Incorporated

9.3 Feature Description

9.3.1 TXD Dominant State Time-Out

During normal mode operation (the only mode where the CAN driver is active), the TXD dominant time-out circuit prevents the transceiver from blocking network communication in the event of a hardware or software failure where TXD is held dominant longer than the time-out period, t_{DST} . The dominant time-out circuit is triggered by a falling edge on TXD. If no rising edge occurs before the time-out constant of the circuit expires (t_{DST}), the CAN bus driver is disabled, thus freeing the bus for communication between other network nodes. The CAN driver is reactivated when a recessive signal occurs on the TXD pin, thus clearing the dominant-state time-out. The CAN bus pins are biased to recessive level during a TXD dominant-state time-out, and SPLIT (V_{REF}) remains on.

NOTE

The maximum dominant TXD time allowed by the TXD dominant state time-out limits the minimum possible data rate of the device. The CAN protocol allows a maximum of eleven successive dominant bits (on TXD) for the worst case, where five successive dominant bits are followed immediately by an error frame. This, along with the $t_{(dom)}$ minimum, limits the minimum bit rate. The minimum bit rate may be calculated by:

$$\text{Minimum Bit Rate} = 11 / t_{(dom)}$$

9.3.2 Thermal Shutdown

If the junction temperature of the device exceeds the thermal-shutdown threshold, the device turns off the CAN driver circuits. The SPLIT (V_{REF}) pin remains biased. This condition is cleared when the temperature drops below the thermal-shutdown temperature of the device.

9.3.3 Undervoltage Lockout and Unpowered Device

The device has undervoltage detection and lockout on the V_{CC} supply. If an undervoltage condition is detected on V_{CC} , the device protects the bus.

Feature Description (continued)

The TXD pin is pulled up to V_{CC} to force a recessive input level if the pin floats. The S pin is pulled up to GND to force the device into normal mode if the pin floats.

The bus pins [CANH, CANL, and SPLIT (V_{REF})] all have low leakage currents when the device is unpowered.

9.4 Device Functional Modes

9.4.1 Operating Modes

The device has two main operating modes: normal mode and silent mode. Operating mode selection is made through the S input pin.

Table 2. Operating Modes

| S PIN | MODE | DRIVER | RECEIVER | RXD PIN |
|-------|--------|----------------|--------------|-----------------|
| LOW | Normal | Enabled (On) | Enabled (On) | Mirrors CAN bus |
| HIGH | Silent | Disabled (Off) | Enabled (On) | Mirrors CAN bus |

9.4.1.1 Normal Mode

This is the normal operating mode of the device. Normal mode is selected by setting S low. The CAN driver and receiver are fully operational and CAN communication is bidirectional. The driver is translating a digital input on TXD to a differential output on CANH and CANL. The receiver is translating the differential signal from CANH and CANL to a digital output on RXD. In recessive state, the bus pins are biased to $0.5 \times V_{CC}$. In dominant state, the bus pins (CANH and CANL) are driven differentially apart. Logic high is equivalent to recessive on the bus and logic low is equivalent to a dominant (differential) signal on the bus.

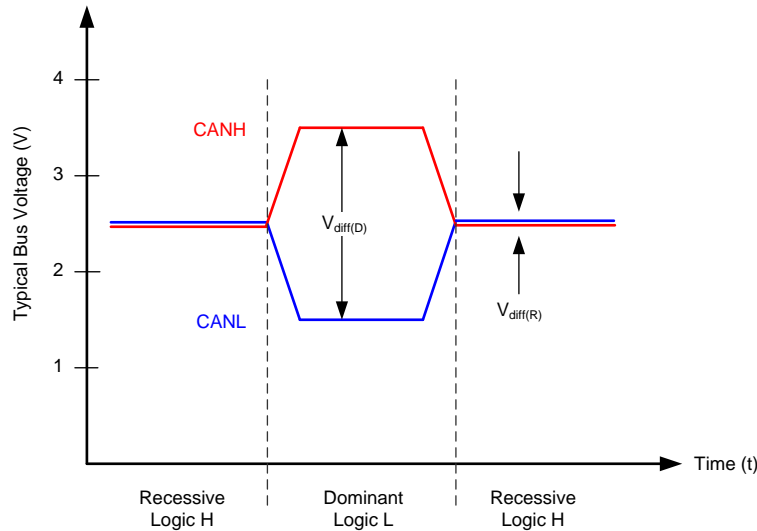


Figure 15. Bus Logic-State Voltage Definitions

The SPLIT (V_{REF}) pin is biased to $0.5 \times V_{CC}$ for bus common mode bus voltage bias stabilization in split termination network applications.

9.4.1.2 Silent Mode

Silent mode disables the driver (transmitter) of the device; however, the receiver still operates and translates the differential signal from CANH and CANL to the digital output on RXD. It is selected by setting S high. The bus pins (CANH and CANL) are biased to $0.5 \times V_{CC}$. The SPLIT (V_{REF}) pin is biased to $0.5 \times V_{CC}$.

Table 3 and Table 4 lists the functional modes of the SN65HVD1050A-Q1.

Table 3. Driver⁽¹⁾

| INPUTS | | OUTPUTS | | BUS STATE |
|--------|-----------|---------|------|-----------|
| TXD | S | CANH | CANL | |
| L | L or Open | H | L | Dominant |
| H | X | Z | Z | Recessive |
| Open | X | Z | Z | Recessive |
| X | H | Z | Z | Recessive |

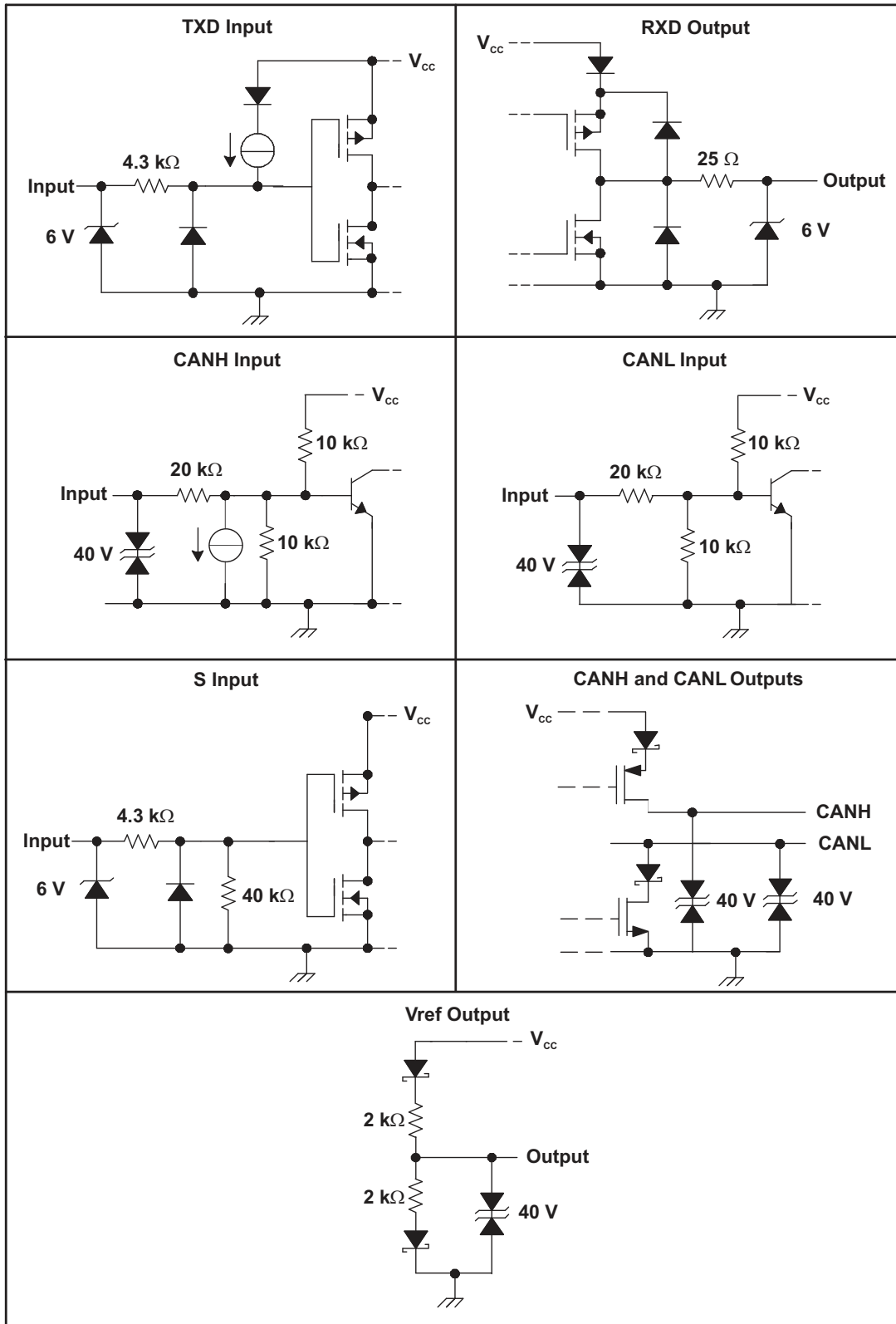
(1) H = high level, L = low level, X = irrelevant, ? = indeterminate, Z = high impedance

Table 4. Receiver⁽¹⁾

| DIFFERENTIAL INPUTS $V_{ID} = V(\text{CANH}) - V(\text{CANL})$ | OUTPUT RXD | BUS STATE |
|---|---------------|-----------|
| $V_{ID} \geq 0.9 \text{ V}$ | L | Dominant |
| $0.5 \text{ V} < V_{ID} < 0.9 \text{ V}$ | ? | ? |
| $V_{ID} \leq 0.5 \text{ V}$ | H | Recessive |
| Open | H | Recessive |

(1) H = high level, L = low level, X = irrelevant, ? = indeterminate, Z = high impedance

9.4.2 Equivalent Input and Output Schematic Diagrams



10 Application and Implementation

NOTE

Information in the following applications sections is not part of the TI component specification, and TI does not warrant its accuracy or completeness. TI's customers are responsible for determining suitability of components for their purposes. Customers should validate and test their design implementation to confirm system functionality.

10.1 Application Information

10.1.1 Using the Device With 3.3-V Microcontrollers

The input level threshold for the digital input pins of this device is 3.3-V compatible; however, a few application considerations must be taken when using this device with 3.3-V microcontrollers. The TXD input pin has an internal pullup source to V_{CC} . Some microcontroller vendors recommend using an open-drain configuration on their I/O pins in this case, even though the pullup limits the current. As such, care must be taken at the application level that TXD has sufficient pullup to meet system timing requirements for CAN. The internal pullup on TXD especially may not be sufficient to overcome the parasitic capacitances and allow for adequate CAN timing; thus, an additional external pullup may be required. Care must also be taken with the RXD pin of the microcontroller, as the RXD output of this device drives the full V_{CC} range (5 V). If the microcontroller RXD input pin is not 5-V tolerant, this must be addressed at the application level. Other options include using a CAN transceiver from Texas Instruments with I/O level adapting or a 3.3-V CAN transceiver.

10.1.2 Using SPLIT (V_{REF}) With Split Termination

The SPLIT (V_{REF}) pin voltage output provides $0.5 \times V_{CC}$ in normal mode. This pin is specified for both the SPLIT sink/source current condition and the V_{REF} sink/source current condition. The circuit may be used by the application to stabilize the common-mode voltage of the bus by connecting it to the center tap of split termination for the CAN network (see Figure 16). The SPLIT (V_{REF}) pin provides a stabilizing recessive voltage drive to offset leakage currents of unpowered transceivers or other bias imbalances that might bring the network common-mode voltage away from $0.5 \times V_{CC}$. Using this feature in a CAN network improves the electromagnetic-emissions behavior of the network by eliminating fluctuations in the bus common-mode voltage levels at the start of message transmissions.

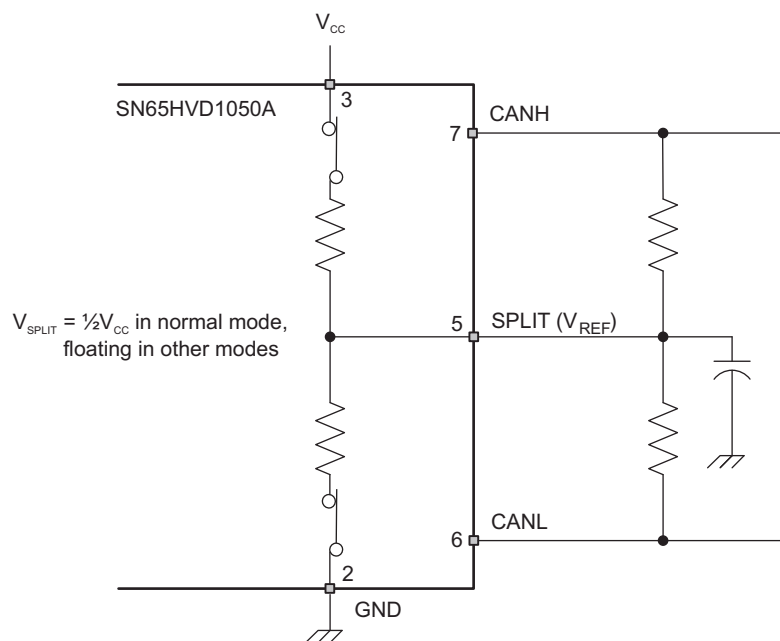
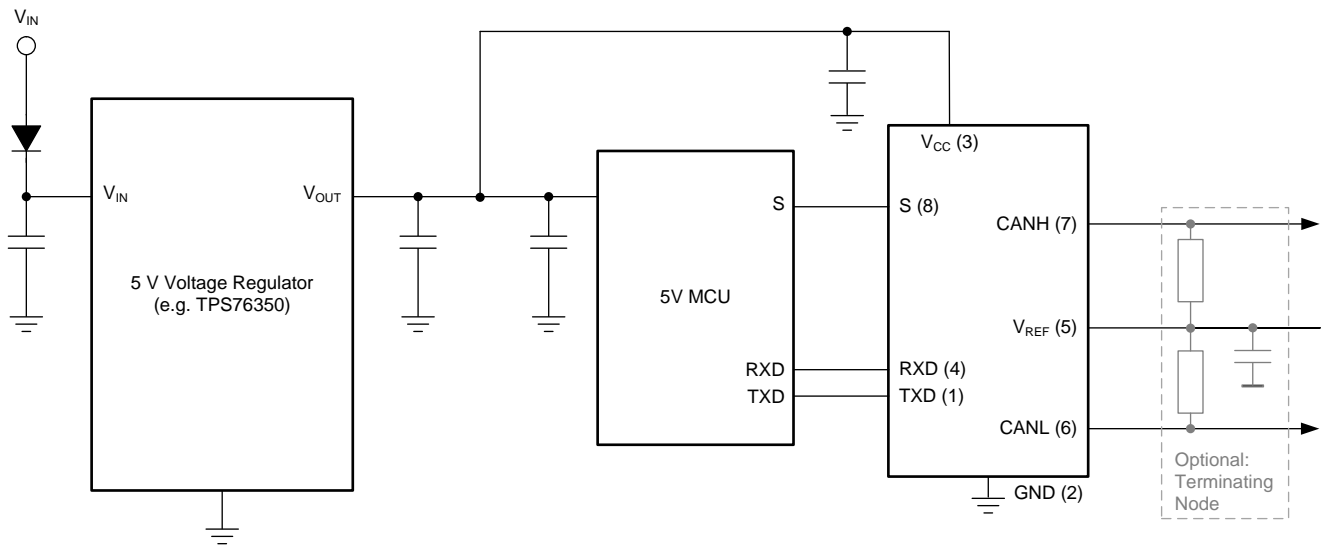


Figure 16. SPLIT Pin Stabilization Circuitry and Application

10.2 Typical Application



Copyright © 2016, Texas Instruments Incorporated

Figure 17. Typical Application Using Split Termination for Stabilization

10.2.1 Design Requirements

10.2.1.1 Bus Loading, Length, and Number of Nodes

The ISO 11898 Standard specifies up to 1-Mbps data rate, a maximum bus length of 40 meters, a maximum drop-line (stub) length of 0.3 meters, and a maximum of 30 nodes. However, with careful network design, the system may have longer cables, longer stub lengths, and many more nodes to a bus. Many CAN organizations and standards have scaled the use of CAN for applications outside the original ISO 11898 standard. They have made system-level trade-offs for data rate, cable length, and parasitic loading of the bus. Examples of some of these specifications are ARINC825, CANopen, CAN Kingdom, DeviceNet, and NMEA200 (see Figure 18).

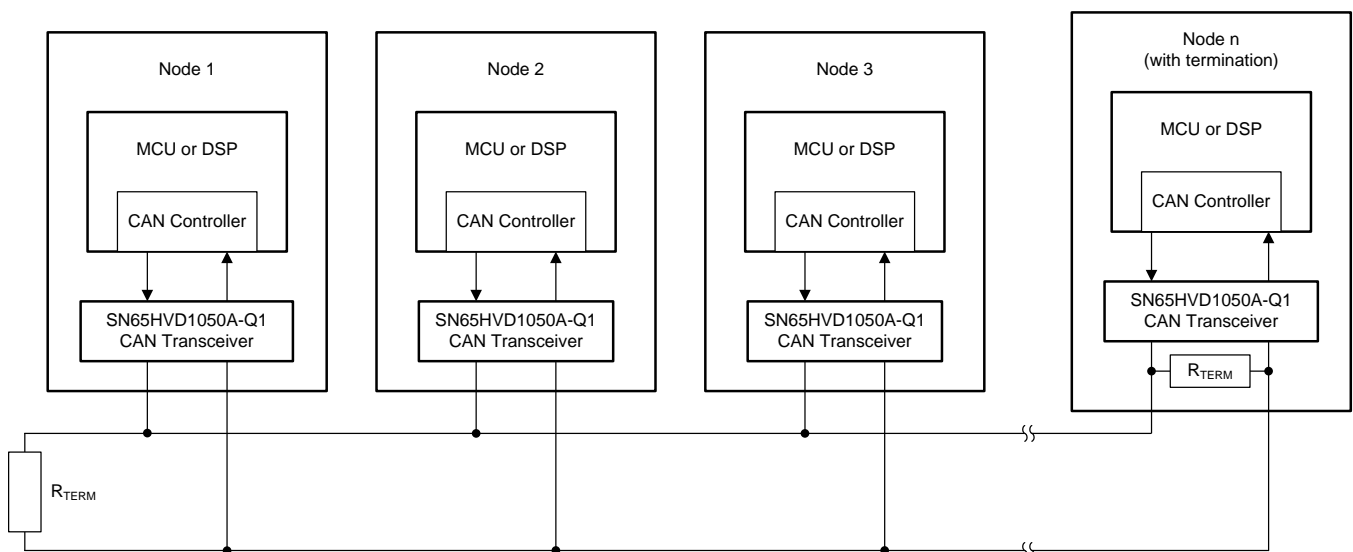


Figure 18. Typical CAN Bus

Typical Application (continued)

A high number of nodes requires a transceiver with high input impedance and wide common-mode range, such as the SN65HVD1050A-Q1 CAN transceiver. ISO 11898-2 specifies that the driver differential output with a 60- Ω load (two 120- Ω termination resistors in parallel) and the differential output must be greater than 1.5 V. The SN65HVD1050A-Q1 device is specified to meet the 1.5-V requirement with a 60- Ω load, and additionally specified with a differential output voltage minimum of 1.2 V across a common-mode range of -2 V to 7 V through a 330- Ω coupling network. This network represents the bus loading of 90 SN65HVD1050A-Q1 transceivers based on their minimum differential input resistance of 30 k Ω . Therefore, the SN65HVD1050A-Q1 supports up to 90 transceivers on a single bus segment with margin to the 1.2-V minimum differential input voltage requirement at each node.

For CAN network design, margin must be given for signal loss across the system and cabling, parasitic loadings, network imbalances, ground offsets, and signal integrity; thus the practical maximum number of nodes may be lower. Bus length may also be extended beyond the original ISO 11898 standard of 40 meters by careful system design and data rate tradeoffs. For example, CANopen network design guidelines allow the network to be up to 1-km with changes in the termination resistance, cabling, less than 64 nodes, and a significantly lowered data rate.

This flexibility in CAN network design is one of the key strengths of the various extensions and additional standards that have been built on the original ISO 11898 CAN standard.

10.2.1.2 CAN Termination

The ISO 11898 standard specifies the interconnect to be a twisted-pair cable (shielded or unshielded) with 120- Ω characteristic impedance (Z_0). Resistors equal to the characteristic impedance of the line must be used to terminate both ends of the cable to prevent signal reflections. Unterminated drop lines (stubs) connecting nodes to the bus must be kept as short as possible to minimize signal reflections. The termination may be on the cable or in a node, but if nodes may be removed from the bus, the termination must be carefully placed so it is not removed from the bus.

Termination is typically a 120- Ω resistor at each end of the bus. If filtering and stabilization of the common-mode voltage of the bus is desired, then split termination may be used (see [Figure 19](#) and [Using SPLIT \(\$V_{REF}\$ \) With Split Termination](#)).

Care must be taken when determining the power ratings of the termination resistors. A typical worst case fault condition is when the system power supply and ground are shorted across the termination resistance, which results in much higher current through the termination resistance than the current limit of the CAN transceiver.

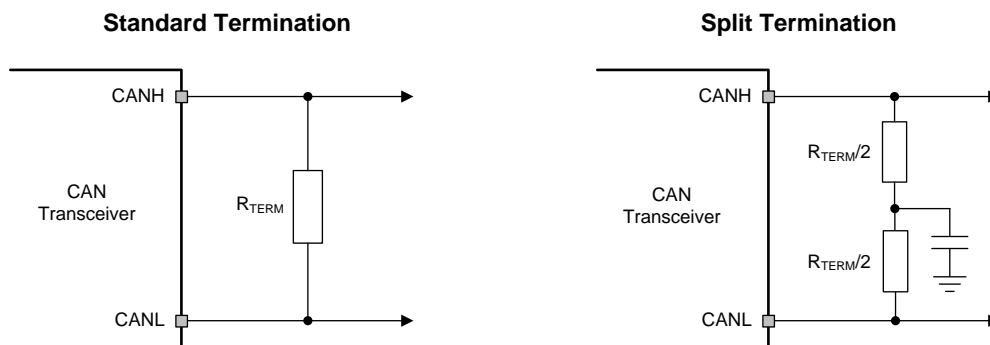


Figure 19. CAN Termination Scheme

10.2.1.3 Loop Propagation Delay

Transceiver loop delay is a measure of the overall device propagation delay, consisting of the delay from the driver input (the TXD pin) to the differential outputs (the CANH and CANL pins), plus the delay from the receiver inputs (the CANH and CANL) to its output (the RXD pin). A typical loop delay for the SN65HVD1050A-Q1 transceiver is displayed in [Figure 21](#) and [Figure 22](#).

Typical Application (continued)

10.2.2 Detailed Design Procedure

10.2.2.1 ESD Protection

A typical application that employs a CAN-bus network may require some form of ESD, burst, and surge protection to shield the CAN transceiver against unwanted transients, which could cause potential damage to the transceiver. To help shield the SN65HVD1050A-Q1 transceiver against these high energy transients, transient voltage suppressors can be implemented on the CAN differential bus terminals. These devices help to absorb the impact of an ESD, burst, or surge strike.

10.2.2.2 Transient Voltage Suppressor (TVS) Diodes

Transient voltage suppressors are the preferred protection components for a CAN bus due to their low capacitance, which allows for design into every node of a multi-node network without requiring a reduction in data rate (see Figure 20). With response times of a few picoseconds and power ratings of up to several kilowatts, TVS diodes present the most effective protection against ESD, burst, and surge transients.

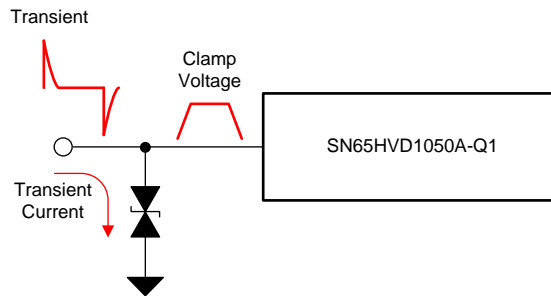


Figure 20. Transient

10.2.3 Application Curves

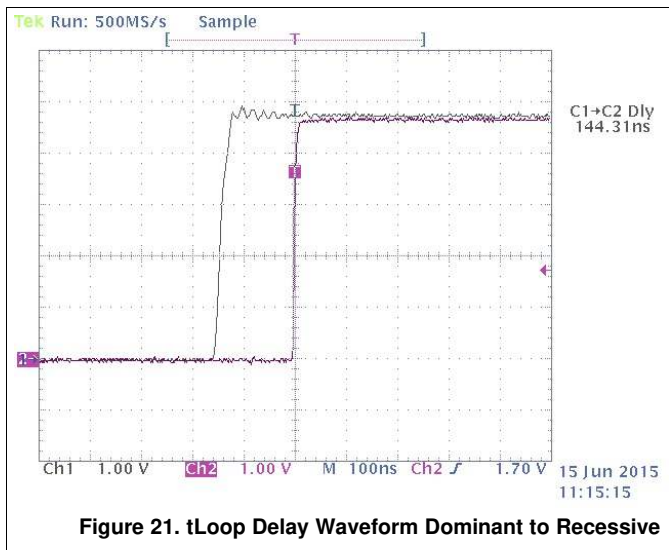


Figure 21. tLoop Delay Waveform Dominant to Recessive

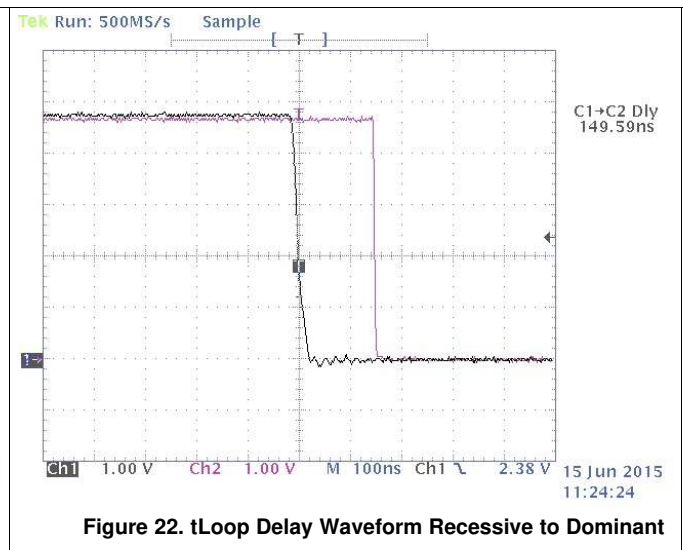


Figure 22. tLoop Delay Waveform Recessive to Dominant

11 Power Supply Recommendations

To ensure reliable operation at all data rates and supply voltages, each supply must be decoupled with a 100-nF ceramic capacitor located as close as possible to the V_{CC} supply pins. One option is the TPS76350 device, which is a linear voltage regulator that is suitable for the 5-V supply rail.

12 Layout

12.1 Layout Guidelines

In order for the PCB design to be successful, start with a design of the protection and filtering circuitry. Because ESD and EFT transients have a wide frequency bandwidth from approximately 3 MHz to 3 GHz, high-frequency layout techniques must be applied during PCB design. On-chip IEC ESD protection is good for laboratory and portable equipment, but it is usually not sufficient for EFT and surge transients occurring in industrial environments. Therefore, robust and reliable bus node design requires the use of external transient protection devices at the bus connectors. Placement at the connector also prevents these harsh transient events from propagating further into the PCB and system.

Use V_{CC} and ground planes to provide low inductance.

NOTE

High-frequency current follows the path of least impedance and not the path of least resistance.

Design the bus protection components in the direction of the signal path. Do not force the transient current to divert from the signal path to reach the protection device. An example placement of the transient voltage suppressor (TVS) device indicated as D1 (either bidirectional diode or varistor solution) and bus filter capacitors C5 and C7 are shown in [Figure 23](#).

The bus transient protection and filtering components must be placed as close to the bus connector, J1, as possible. This prevents transients, ESD and noise from penetrating onto the board and disturbing other devices.

Bus termination: [Figure 23](#) shows split termination, which is where the termination is split into two resistors, R5 and R6, with the center or split tap of the termination connected to ground through capacitor C6. Split termination provides common-mode filtering for the bus. When termination is placed on the board instead of directly on the bus, care must be taken to ensure that the terminating node is not removed from the bus because this causes signal integrity issues if the bus is not properly terminated on both ends. Bypass and bulk capacitors must be placed as close as possible to the supply pins of transceiver, examples include C2 and C3 (V_{CC}).

Use at least two vias for V_{CC} and ground connections of bypass capacitors and protection devices to minimize trace and via inductance.

To limit the current of digital lines, serial resistors may be used. Examples are R1, R2, R3, and R4.

To filter noise on the digital I/O lines, a capacitor may be used close to the input side of the I/O as shown by C1 and C4.

Because the internal pullup and pulldown biasing of the device is weak for floating pins, an external 1-k Ω to 10-k Ω pullup or pulldown resistor must be used to bias the state of the pin more strongly against noise during transient events.

Pin 1: If an open-drain host processor is used to drive the TXD pin of the device, an external pullup resistor between 1 k Ω and 10 k Ω must be used to drive the recessive input state of the device.

Pin 5: SPLIT must be connected to the center point of a split termination scheme to help stabilize the common-mode voltage to $V_{CC} / 2$. If SPLIT is unused, it must be left floating.

Pin 8: Is shown assuming the mode pin, STB, is used. If the device is only to be used in normal mode, R3 is not needed, and the pads of C4 could be used for the pulldown resistor to GND

12.2 Layout Example

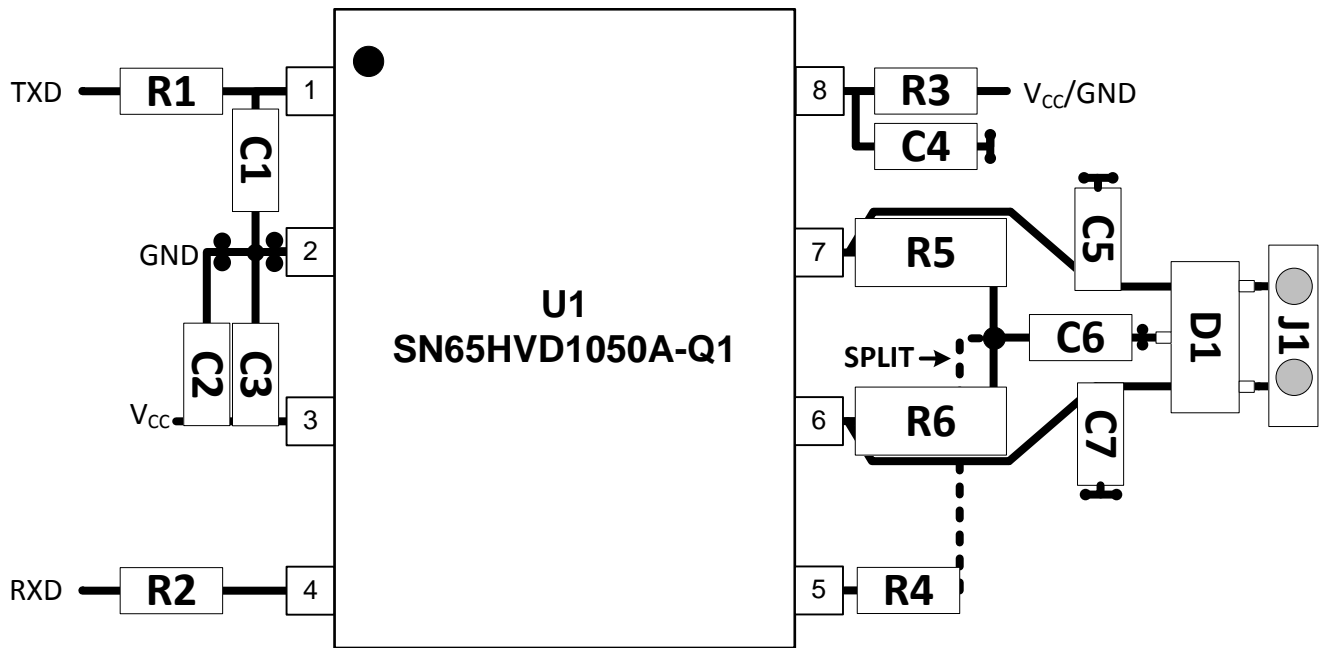


Figure 23. SN65HVD1050A-Q1 Layout Example

13 Device and Documentation Support

13.1 Receiving Notification of Documentation Updates

To receive notification of documentation updates, navigate to the device product folder on ti.com. In the upper right corner, click on *Alert me* to register and receive a weekly digest of any product information that has changed. For change details, review the revision history included in any revised document.

13.2 Community Resources

The following links connect to TI community resources. Linked contents are provided "AS IS" by the respective contributors. They do not constitute TI specifications and do not necessarily reflect TI's views; see TI's [Terms of Use](#).

TI E2E™ Online Community *TI's Engineer-to-Engineer (E2E) Community*. Created to foster collaboration among engineers. At e2e.ti.com, you can ask questions, share knowledge, explore ideas and help solve problems with fellow engineers.

Design Support *TI's Design Support* Quickly find helpful E2E forums along with design support tools and contact information for technical support.

13.3 Trademarks

E2E is a trademark of Texas Instruments.
All other trademarks are the property of their respective owners.

13.4 Electrostatic Discharge Caution



These devices have limited built-in ESD protection. The leads should be shorted together or the device placed in conductive foam during storage or handling to prevent electrostatic damage to the MOS gates.

13.5 Glossary

[SLYZ022](#) — *TI Glossary*.

This glossary lists and explains terms, acronyms, and definitions.

14 Mechanical, Packaging, and Orderable Information

The following pages include mechanical, packaging, and orderable information. This information is the most current data available for the designated devices. This data is subject to change without notice and revision of this document. For browser-based versions of this data sheet, refer to the left-hand navigation.

PACKAGING INFORMATION

| Orderable Device | Status (1) | Package Type | Package Drawing | Pins | Package Qty | Eco Plan (2) | Lead finish/ Ball material (6) | MSL Peak Temp (3) | Op Temp (°C) | Device Marking (4/5) | Samples |
|-------------------|---------------|--------------|--------------------|------|----------------|-----------------|--------------------------------------|----------------------|--------------|-------------------------|---------|
| SN65HVD1050AQDRQ1 | ACTIVE | SOIC | D | 8 | 2500 | RoHS & Green | NIPDAU | Level-1-260C-UNLIM | -40 to 125 | 1050AQ | Samples |

(1) The marketing status values are defined as follows:

ACTIVE: Product device recommended for new designs.

LIFEBUY: TI has announced that the device will be discontinued, and a lifetime-buy period is in effect.

NRND: Not recommended for new designs. Device is in production to support existing customers, but TI does not recommend using this part in a new design.

PREVIEW: Device has been announced but is not in production. Samples may or may not be available.

OBSOLETE: TI has discontinued the production of the device.

(2) **RoHS:** TI defines "RoHS" to mean semiconductor products that are compliant with the current EU RoHS requirements for all 10 RoHS substances, including the requirement that RoHS substance do not exceed 0.1% by weight in homogeneous materials. Where designed to be soldered at high temperatures, "RoHS" products are suitable for use in specified lead-free processes. TI may reference these types of products as "Pb-Free".

RoHS Exempt: TI defines "RoHS Exempt" to mean products that contain lead but are compliant with EU RoHS pursuant to a specific EU RoHS exemption.

Green: TI defines "Green" to mean the content of Chlorine (Cl) and Bromine (Br) based flame retardants meet JS709B low halogen requirements of <=1000ppm threshold. Antimony trioxide based flame retardants must also meet the <=1000ppm threshold requirement.

(3) MSL, Peak Temp. - The Moisture Sensitivity Level rating according to the JEDEC industry standard classifications, and peak solder temperature.

(4) There may be additional marking, which relates to the logo, the lot trace code information, or the environmental category on the device.

(5) Multiple Device Markings will be inside parentheses. Only one Device Marking contained in parentheses and separated by a "-" will appear on a device. If a line is indented then it is a continuation of the previous line and the two combined represent the entire Device Marking for that device.

(6) Lead finish/Ball material - Orderable Devices may have multiple material finish options. Finish options are separated by a vertical ruled line. Lead finish/Ball material values may wrap to two lines if the finish value exceeds the maximum column width.

Important Information and Disclaimer: The information provided on this page represents TI's knowledge and belief as of the date that it is provided. TI bases its knowledge and belief on information provided by third parties, and makes no representation or warranty as to the accuracy of such information. Efforts are underway to better integrate information from third parties. TI has taken and continues to take reasonable steps to provide representative and accurate information but may not have conducted destructive testing or chemical analysis on incoming materials and chemicals. TI and TI suppliers consider certain information to be proprietary, and thus CAS numbers and other limited information may not be available for release.

In no event shall TI's liability arising out of such information exceed the total purchase price of the TI part(s) at issue in this document sold by TI to Customer on an annual basis.

TAPE AND REEL INFORMATION

QUADRANT ASSIGNMENTS FOR PIN 1 ORIENTATION IN TAPE


*All dimensions are nominal

| Device | Package Type | Package Drawing | Pins | SPQ | Reel Diameter (mm) | Reel Width W1 (mm) | A0 (mm) | B0 (mm) | K0 (mm) | P1 (mm) | W (mm) | Pin1 Quadrant |
|-------------------|--------------|-----------------|------|------|--------------------|--------------------|---------|---------|---------|---------|--------|---------------|
| SN65HVD1050AQDRQ1 | SOIC | D | 8 | 2500 | 330.0 | 12.4 | 6.4 | 5.2 | 2.1 | 8.0 | 12.0 | Q1 |

TAPE AND REEL BOX DIMENSIONS


*All dimensions are nominal

| Device | Package Type | Package Drawing | Pins | SPQ | Length (mm) | Width (mm) | Height (mm) |
|-------------------|--------------|-----------------|------|------|-------------|------------|-------------|
| SN65HVD1050AQDRQ1 | SOIC | D | 8 | 2500 | 356.0 | 356.0 | 35.0 |

D0008A



PACKAGE OUTLINE

SOIC - 1.75 mm max height

SMALL OUTLINE INTEGRATED CIRCUIT



4214825/C 02/2019

NOTES:

1. Linear dimensions are in inches [millimeters]. Dimensions in parenthesis are for reference only. Controlling dimensions are in inches. Dimensioning and tolerancing per ASME Y14.5M.
2. This drawing is subject to change without notice.
3. This dimension does not include mold flash, protrusions, or gate burrs. Mold flash, protrusions, or gate burrs shall not exceed .006 [0.15] per side.
4. This dimension does not include interlead flash.
5. Reference JEDEC registration MS-012, variation AA.

EXAMPLE BOARD LAYOUT

D0008A

SOIC - 1.75 mm max height

SMALL OUTLINE INTEGRATED CIRCUIT



LAND PATTERN EXAMPLE
EXPOSED METAL SHOWN
SCALE:8X



SOLDER MASK DETAILS

4214825/C 02/2019

NOTES: (continued)

- 6. Publication IPC-7351 may have alternate designs.
- 7. Solder mask tolerances between and around signal pads can vary based on board fabrication site.

EXAMPLE STENCIL DESIGN

D0008A

SOIC - 1.75 mm max height

SMALL OUTLINE INTEGRATED CIRCUIT



SOLDER PASTE EXAMPLE
BASED ON .005 INCH [0.125 MM] THICK STENCIL
SCALE:8X

4214825/C 02/2019

NOTES: (continued)

8. Laser cutting apertures with trapezoidal walls and rounded corners may offer better paste release. IPC-7525 may have alternate design recommendations.
9. Board assembly site may have different recommendations for stencil design.

IMPORTANT NOTICE AND DISCLAIMER

TI PROVIDES TECHNICAL AND RELIABILITY DATA (INCLUDING DATA SHEETS), DESIGN RESOURCES (INCLUDING REFERENCE DESIGNS), APPLICATION OR OTHER DESIGN ADVICE, WEB TOOLS, SAFETY INFORMATION, AND OTHER RESOURCES "AS IS" AND WITH ALL FAULTS, AND DISCLAIMS ALL WARRANTIES, EXPRESS AND IMPLIED, INCLUDING WITHOUT LIMITATION ANY IMPLIED WARRANTIES OF MERCHANTABILITY, FITNESS FOR A PARTICULAR PURPOSE OR NON-INFRINGEMENT OF THIRD PARTY INTELLECTUAL PROPERTY RIGHTS.

These resources are intended for skilled developers designing with TI products. You are solely responsible for (1) selecting the appropriate TI products for your application, (2) designing, validating and testing your application, and (3) ensuring your application meets applicable standards, and any other safety, security, regulatory or other requirements.

These resources are subject to change without notice. TI grants you permission to use these resources only for development of an application that uses the TI products described in the resource. Other reproduction and display of these resources is prohibited. No license is granted to any other TI intellectual property right or to any third party intellectual property right. TI disclaims responsibility for, and you will fully indemnify TI and its representatives against, any claims, damages, costs, losses, and liabilities arising out of your use of these resources.

TI's products are provided subject to [TI's Terms of Sale](#) or other applicable terms available either on ti.com or provided in conjunction with such TI products. TI's provision of these resources does not expand or otherwise alter TI's applicable warranties or warranty disclaimers for TI products.

TI objects to and rejects any additional or different terms you may have proposed.

Mailing Address: Texas Instruments, Post Office Box 655303, Dallas, Texas 75265
Copyright © 2022, Texas Instruments Incorporated