

NOTES:

1) MATERIAL:

HOUSING: NYLON(PA), GLASS FILLED, UL94V-0, COLOR: SEE SHEETS 5 AND 6
 INSULATOR: NYLON(PA), GLASS FILLED, UL94V-0, COLOR: SEE SHEETS 5 AND 6
 TERMINALS: PHOSPHOR BRONZE, 0.30 mm THICK
 SHIELD: BRASS, 0.18 mm THICK

2) FINISH:

TERMINALS:

A = SELECT GOLD IN CONTACT AREA: 1.27 MICROMETERS MIN.,
 *SELECT TIN IN PC TAIL AREA: 2.54 MICROMETERS MIN.,
 WITH OVERALL NICKEL UNDERPLATE: 1.27 MICROMETERS MIN.
 B = SELECT GOLD IN CONTACT AREA: 0.76 MICROMETERS MIN.,
 *SELECT TIN IN PC TAIL AREA: 2.54 MICROMETERS MIN.,
 WITH OVERALL NICKEL UNDERPLATE: 1.27 MICROMETERS MIN.
 *THE PRIMARY SHIPPING CARTON WILL BE LABELED "COMPLIANT TO RoHS
 DIRECTIVE 2002/95/EC AND ELV ANNEX II OF DIRECTIVE 2000/53/EC".
 CARTONS WITHOUT THIS LABEL MAY CONTAIN PRODUCT WITH TIN-LEAD
 IN THE PC TAILS AND/OR SHIELD.

SHIELD:

2.54 MICROMETERS NICKEL OVER 1.27 MICROMETERS COPPER
 UNDERPLATE PCB GROUND TABS DIPPED IN TIN

3) PRODUCT SPECIFICATION AND PROCESSING PARAMETERS: PS-43202.

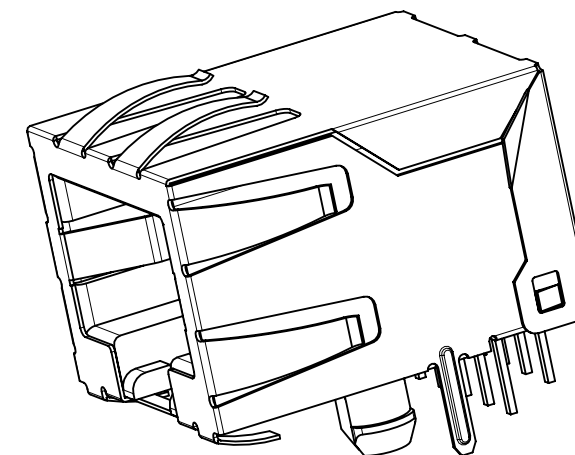
4) PACKAGING SPECIFICATION:

UNSHIELDED CONNECTOR ASSEMBLIES PACKAGED IN THERMOFORMED TRAYS
 PER MOLEX PACKAGING SPECIFICATION PK-43202-003.
 UNSHIELDED CONNECTOR ASSEMBLIES PACKAGED IN TUBES
 PER MOLEX PACKAGING SPECIFICATION PK-43202-005.
 SHIELDED CONNECTOR ASSEMBLIES PACKAGED IN THERMOFORMED TRAYS
 PER MOLEX PACKAGING SPECIFICATION PK-43202-004.

5) SEE SHEETS 7 - 9 FOR P.C. BOARD LAYOUTS.

6) CONFORMS TO FCC REGULATION PART 68.5 FOR MODULAR JACKS.

7) THIS PART CONFORMS TO CLASS B REQUIREMENTS OF COSMETIC
 SPECIFICATION PS-45499-002.



SHIELDED MODULAR JACK
 SHOWN WITH PANEL GROUND
 OPTION "D" AND FRONT
 PCB GROUND TABS

DRAWING LEGEND

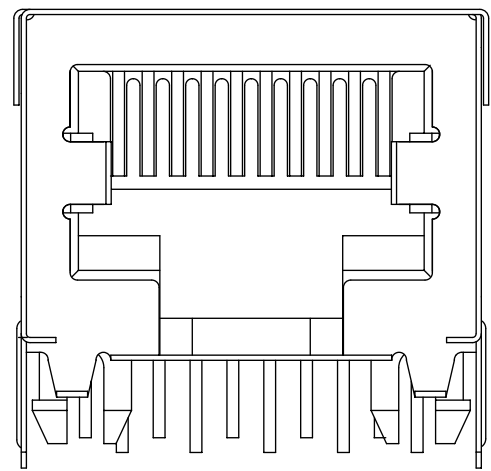
SHEET 1- NOTES, DRAWING LEGEND
 SHEET 2- SHIELDED MODULAR JACK W/ BOTTOM GROUND TABS
 SHEET 3- SHIELDED MODULAR JACK W/O BOTTOM GROUND TABS
 SHEET 4- UNSHIELDED MODULAR JACK
 SHEET 5- PART NUMBER CHARTS
 SHEET 6- PART NUMBER CHARTS
 SHEET 7- FOOTPRINT LAYOUT 4 POSITION HOUSING
 SHEET 8- FOOTPRINT LAYOUT 6 POSITION HOUSING
 SHEET 9- FOOTPRINT LAYOUT 8 POSITION HOUSING

THIS DRAWING CONTAINS INFORMATION THAT IS PROPRIETARY TO MOLEX ELECTRONIC TECHNOLOGIES, LLC AND SHOULD NOT BE USED WITHOUT WRITTEN PERMISSION										
FUNCTIONAL SYMBOLS	DIMENSION UNITS	SCALE	CURRENT REV DESC: MIGRATION TO NX							
$\nabla = 0$	mm	3:1	EC NO: 704381 DRWN: FAYEW 2022/04/18 CHKD: KLANG 2022/05/16 APPR: KLANG 2022/05/16 INITIAL REVISION: DRWN: RFC_PLMIMP 2018/11/02 APPR: REDGLEY 2000/10/17							
$\nabla = 0$	GENERAL TOLERANCES (UNLESS SPECIFIED)									
$\nabla = 0$	ANGULAR TOL $\pm 0.5^\circ$									
DIVISIONAL SYMBOLS	4 PLACES \pm	3 PLACES \pm	PRODUCT CUSTOMER DRAWING				DOCUMENT NUMBER	DOC TYPE	DOC PART	REVISION
	2 PLACES ± 0.25	1 PLACE ± 0.36	SDA-43202				PSD	001	L9	
	0 PLACES \pm		DRAFT WHERE APPLICABLE MUST REMAIN WITHIN DIMENSIONS		THIRD ANGLE PROJECTION	DRAWING	SERIES	MATERIAL NUMBER	CUSTOMER	SHEET NUMBER
						B-SIZE	43202		GENERAL MARKET	1 OF 9

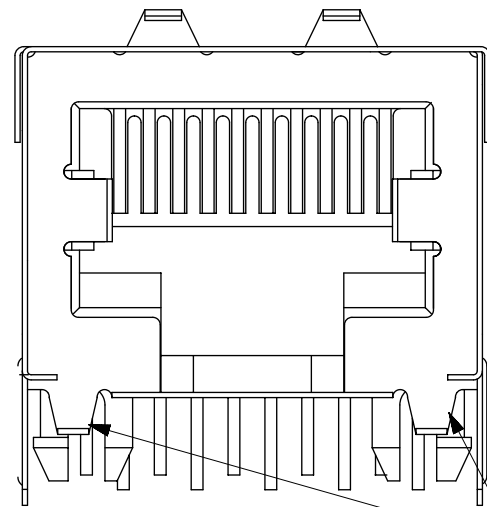
SHIELD MODULAR JACK W/BOTTOM GROUND TABS

SIZE 8 LOADED 10 VERSION SHOWN

SIDE/TOP GROUND TAB OPTIONS FOR SHIELDS



OPTION "A"
NO TOP OR SIDE TABS

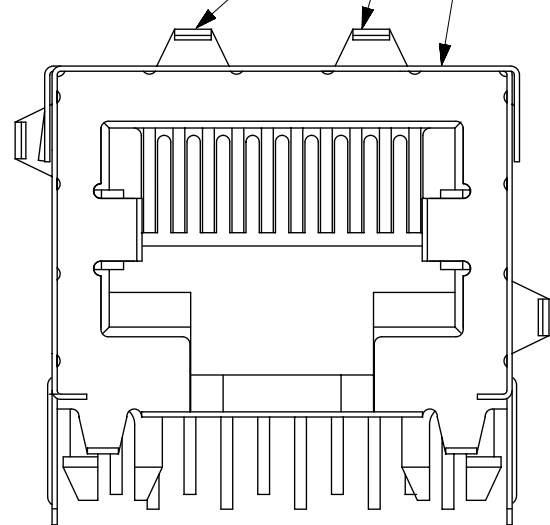


OPTION "B"
TOP TABS
BOTTOM GROUND TABS

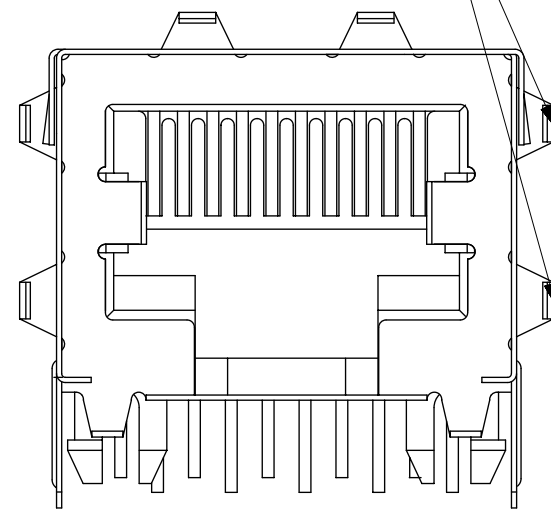
OPTIONAL TOP GROUND TABS

SHIELDED MODULAR JACK ASSEMBLY SEE SHEET 5 FOR MATERIAL NO.

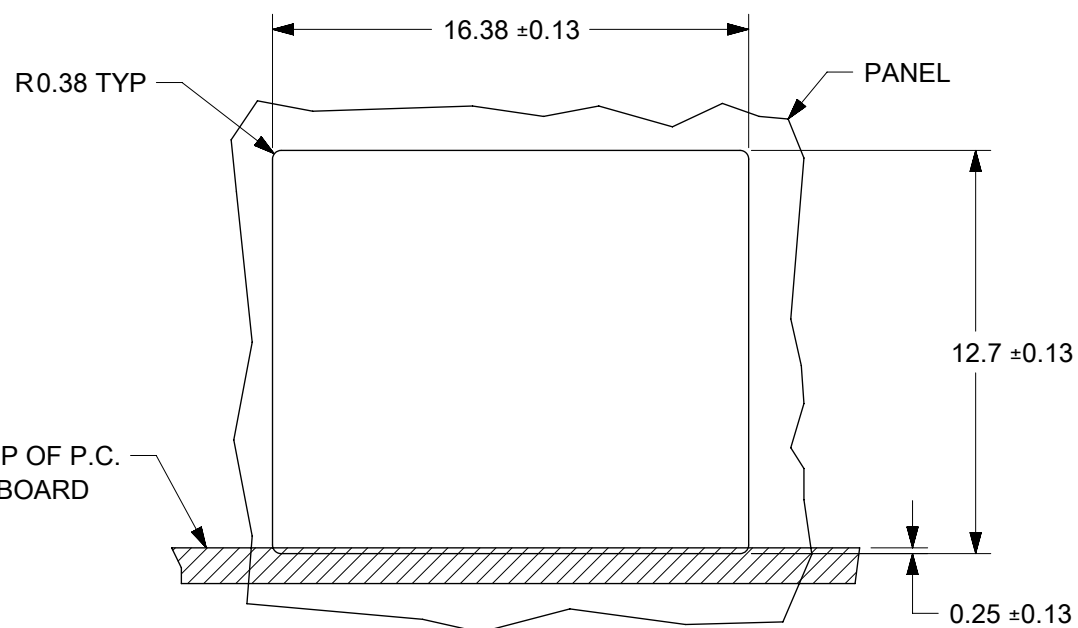
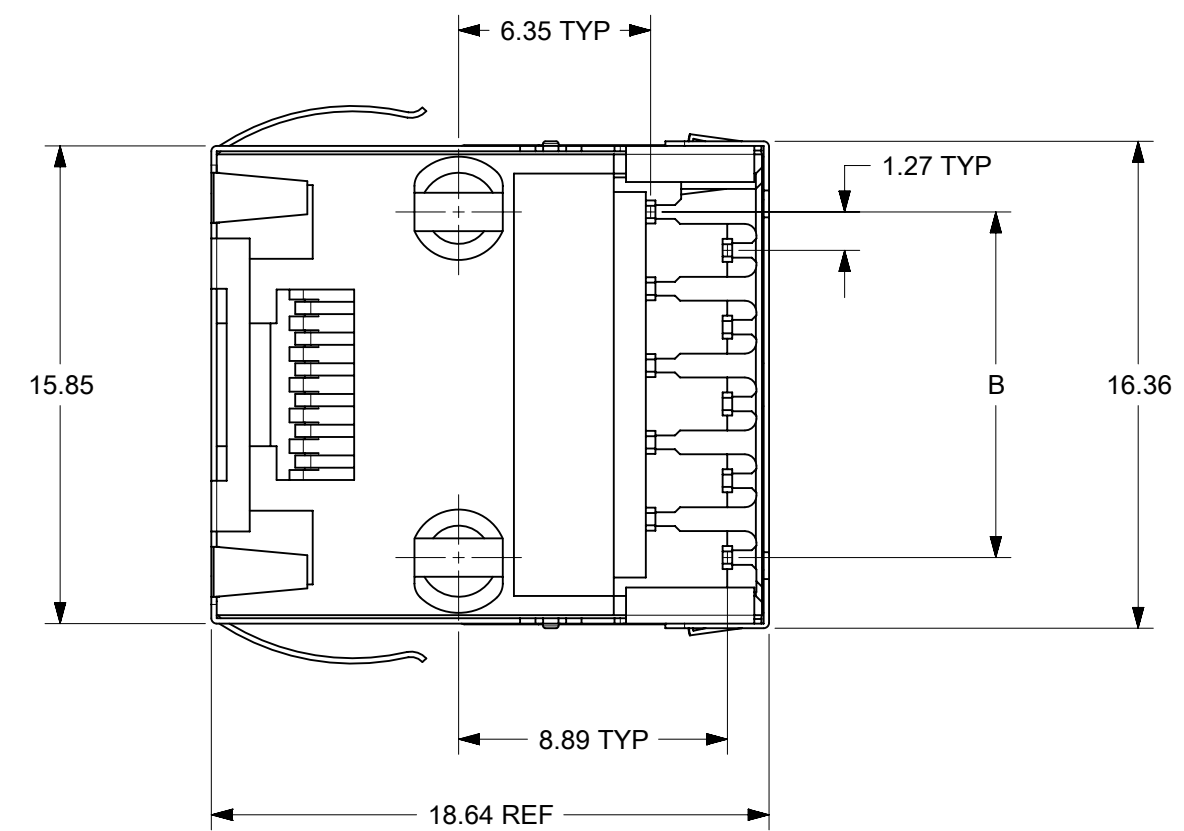
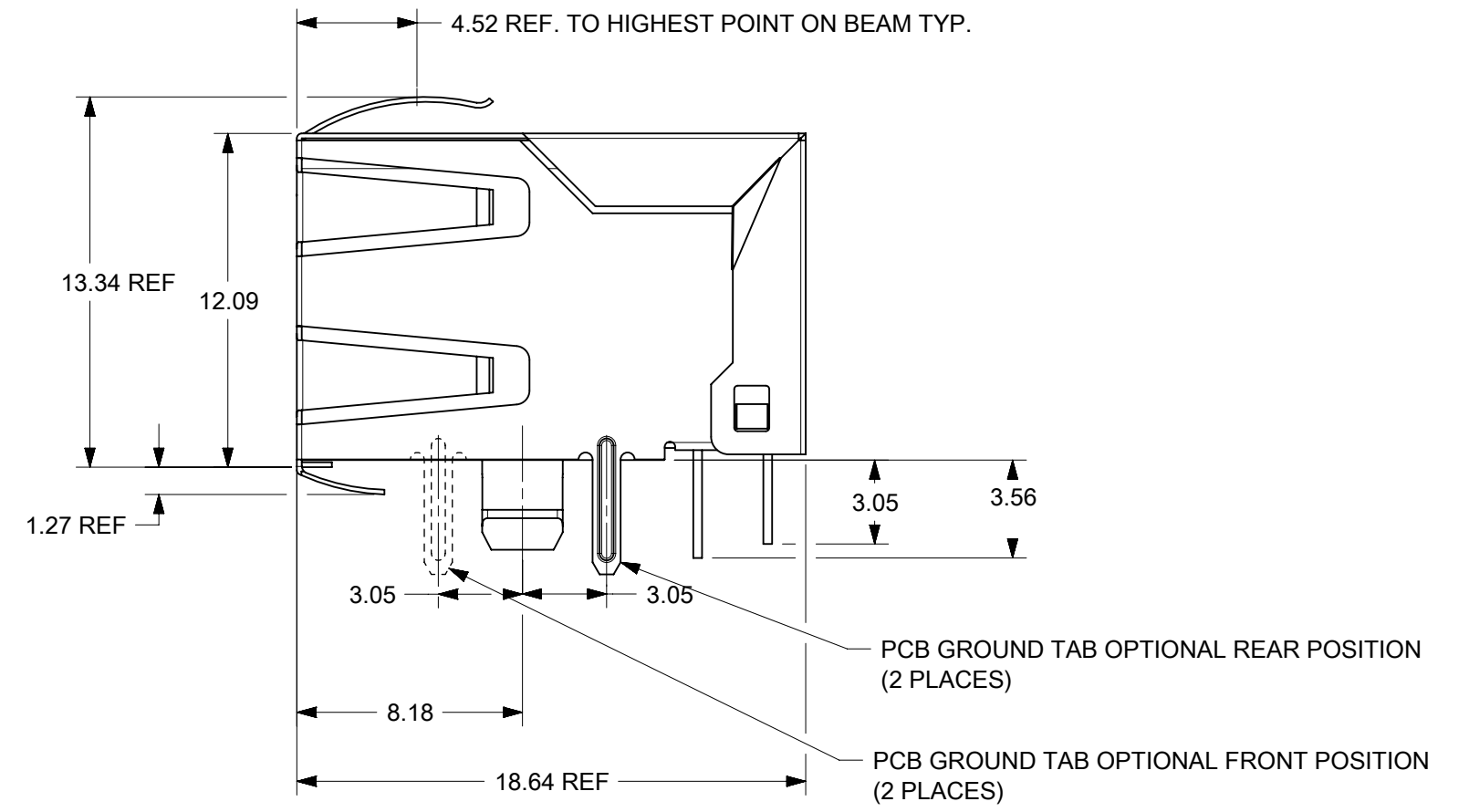
OPTIONAL SIDE GROUND TABS (2 PLACES)



OPTION "C"
TOP AND STAGGERED SIDE TABS



OPTION "D"
TOP AND SIDE TABS



PANEL CUT-OUT
(SHIELDED W/BOTTOM GROUND TABS)

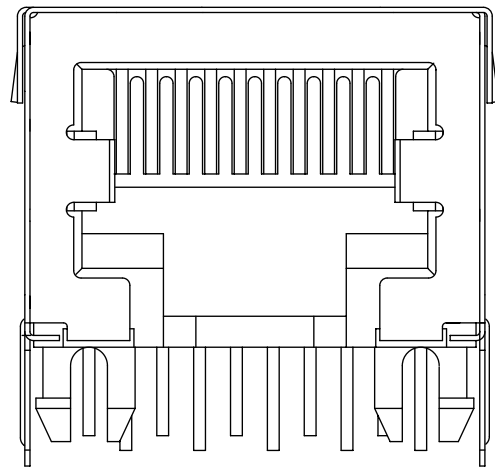
HOUSING SIZE	CIRCUIT SIZE	B
8	10	11.43±0.13
8	8	8.89±0.13

FUNCTIONAL SYMBOLS $\nabla_A = 0$ $\nabla_C = 0$ $\nabla_P = 0$	THIS DRAWING CONTAINS INFORMATION THAT IS PROPRIETARY TO MOLEX ELECTRONIC TECHNOLOGIES, LLC AND SHOULD NOT BE USED WITHOUT WRITTEN PERMISSION		CURRENT REV DESC: MIGRATION TO NX				
	DIMENSION UNITS	SCALE					
	mm	4:1					
GENERAL TOLERANCES (UNLESS SPECIFIED)		EC NO: 704381 DRWN: FAYEW 2022/04/18 CHK'D: KLANG 2022/05/16 APPR: KLANG 2022/05/16					
ANGULAR TOL ± 0.5°		PRODUCT CUSTOMER DRAWING					
4 PLACES ±		INITIAL REVISION: DRWN: RFC_PLMIMP 2018/11/02 APPR: REDGLEY 2000/10/17					
3 PLACES ±		DOCUMENT NUMBER SDA-43202					
2 PLACES ± 0.25		DOC TYPE PSD					
1 PLACE ± 0.36		DOC PART 001					
0 PLACES ±		REVISION L9					
DRAFT WHERE APPLICABLE MUST REMAIN WITHIN DIMENSIONS		THIRD ANGLE PROJECTION	DRAWING	SERIES	MATERIAL NUMBER	CUSTOMER	SHEET NUMBER
			C-SIZE	43202		GENERAL MARKET	2 OF 9

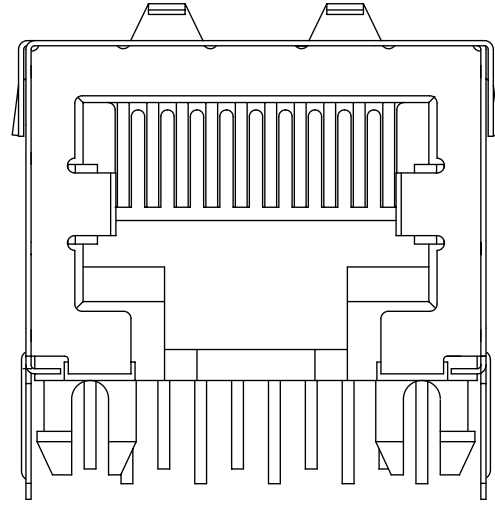
SHIELDED MODULAR JACK W/O BOTTOM GROUND TABS

SIZE 8, LOADED 10 VERSION SHOWN

SIDE/TOP GROUND TAB OPTIONS FOR SHIELDS



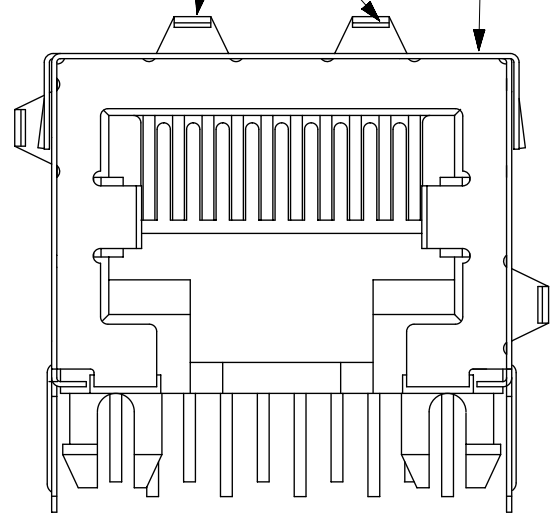
OPTION "E"
NO TOP OR SIDE TABS



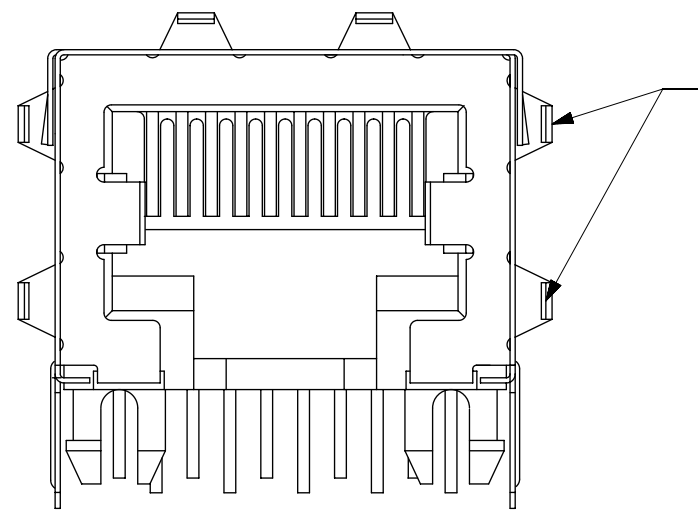
OPTION "F"
TOP TABS

OPTIONAL GROUND TABS

SHIELDED MODULAR JACK ASSEMBLY
SEE SHEET 6 FOR MATERIAL NO.

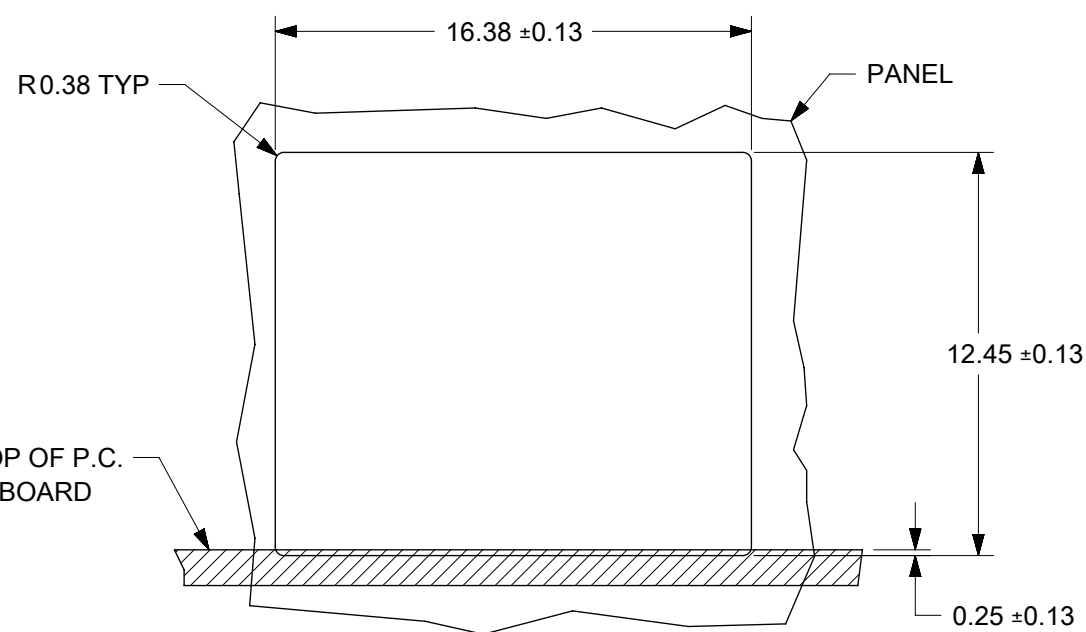


OPTION "G"
TOP AND STAGGERED SIDE TABS



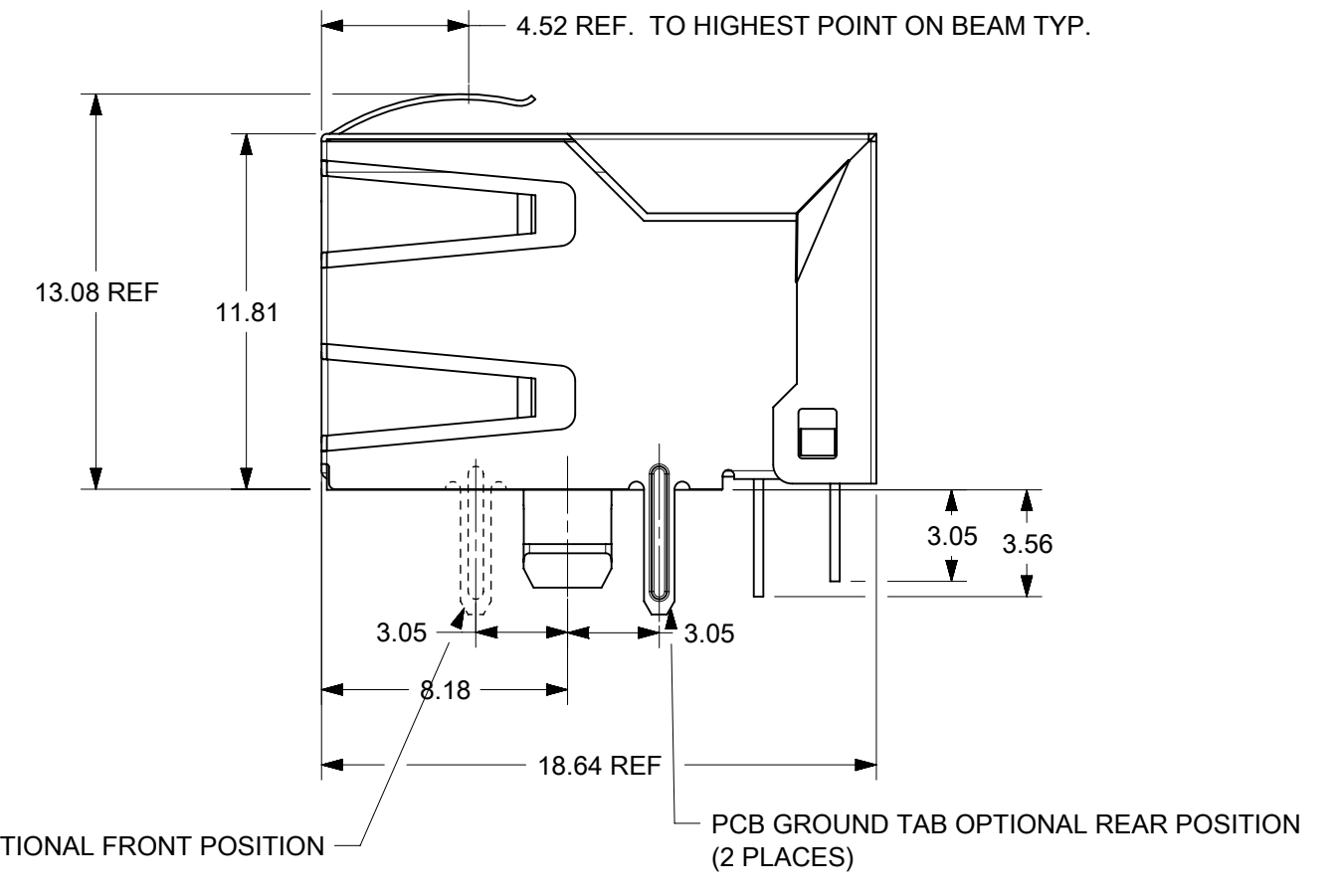
OPTION "H"
TOP AND SIDE TABS

OPTIONAL SIDE
GROUND TABS
(2 PLACES)



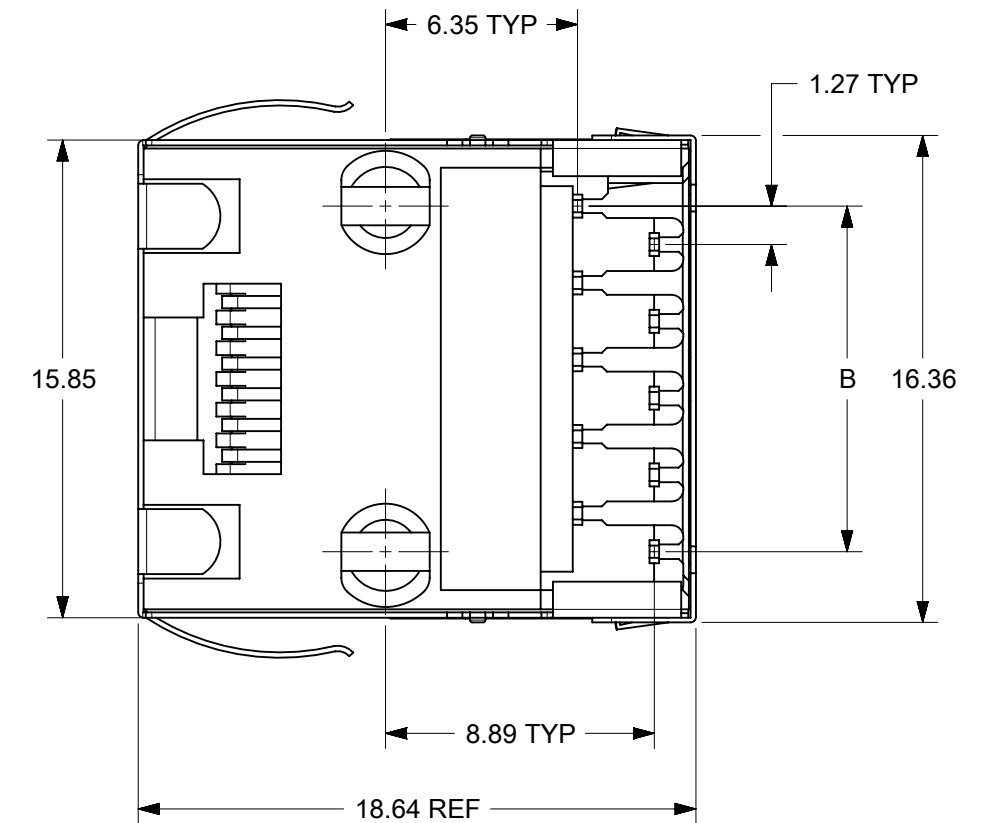
PANEL CUT-OUT
(SHIELDED W/O BOTTOM GROUND TABS)

HOUSING SIZE	CIRCUIT SIZE	DIM. B
8	10	11.43±0.13
8	8	8.89±0.13



PCB GROUND TAB OPTIONAL FRONT POSITION
(2 PLACES)

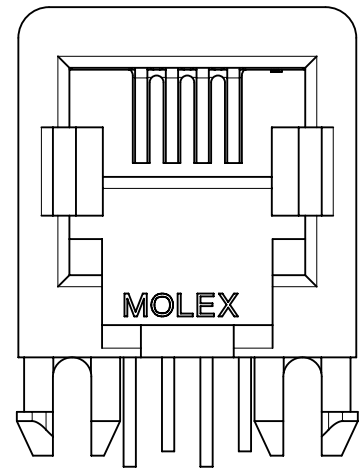
PCB GROUND TAB OPTIONAL REAR POSITION
(2 PLACES)



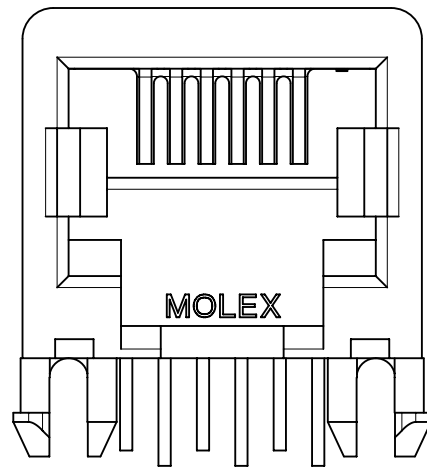
FUNCTIONAL SYMBOLS		THIS DRAWING CONTAINS INFORMATION THAT IS PROPRIETARY TO MOLEX ELECTRONIC TECHNOLOGIES, LLC AND SHOULD NOT BE USED WITHOUT WRITTEN PERMISSION		CURRENT REV DESC: MIGRATION TO NX			
DIMENSION UNITS		SCALE		EC NO: 704381			
mm		4:1		DRWN: FAYEW		2022/04/18	
GENERAL TOLERANCES (UNLESS SPECIFIED)		ANGULAR TOL ± 0.5°		CHK'D: KLANG		2022/05/16	
4 PLACES ±		3 PLACES ±		APPR: KLANG		2022/05/16	
2 PLACES ± 0.25		1 PLACE ± 0.36		INITIAL REVISION:		2018/11/02	
0 PLACES ±		THIRD ANGLE PROJECTION		DRWN: RFC_PLMIMP		2000/10/17	
DRAFT WHERE APPLICABLE MUST REMAIN WITHIN DIMENSIONS		DRAWING		SERIES		DOCUMENT NUMBER	
C-SIZE		43202		SDA-43202		PSD 001 L9	
MATERIAL NUMBER		CUSTOMER		GENERAL MARKET		SHEET NUMBER	
						3 OF 9	

UNSHIELDED MODULAR JACKS

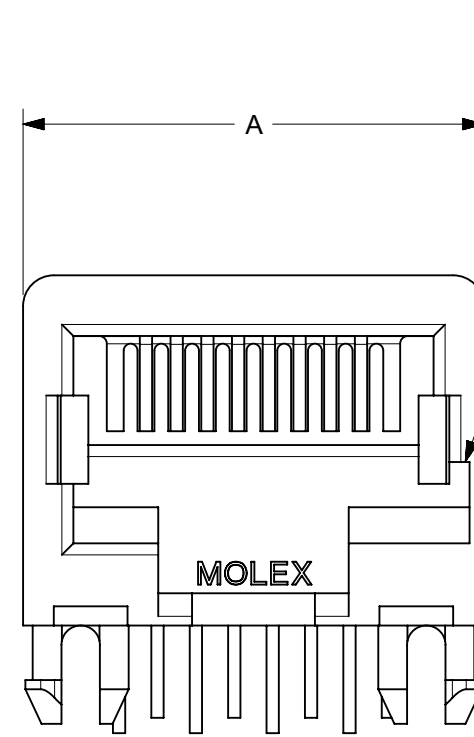
SIZE 8, LOADED 10 SHOWN



SIZE 4
LOADED 4 SHOWN

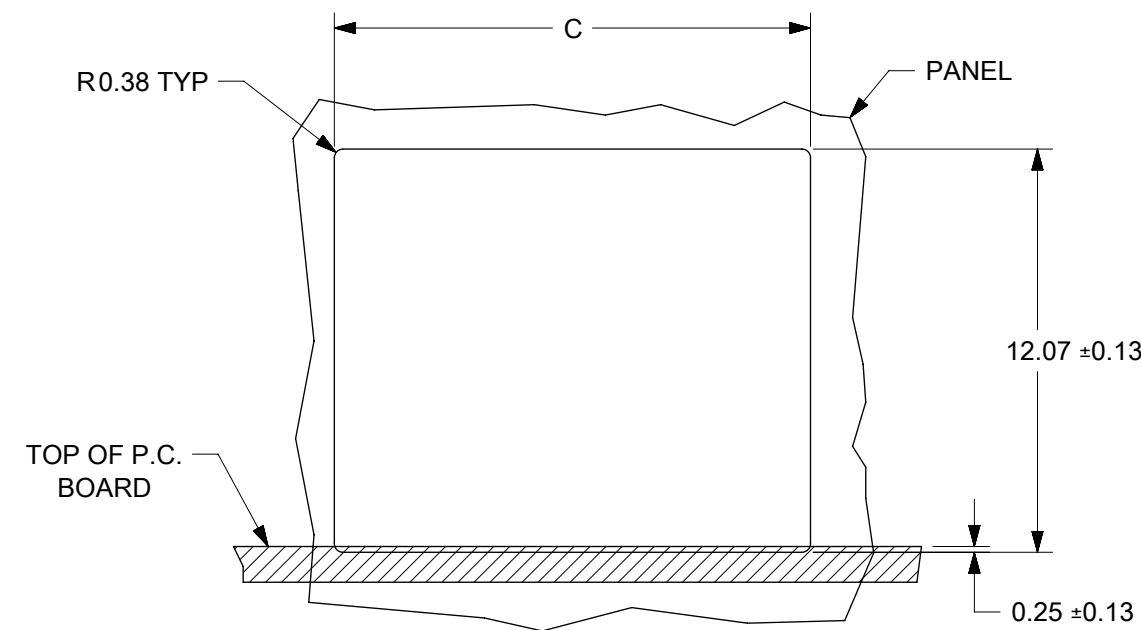
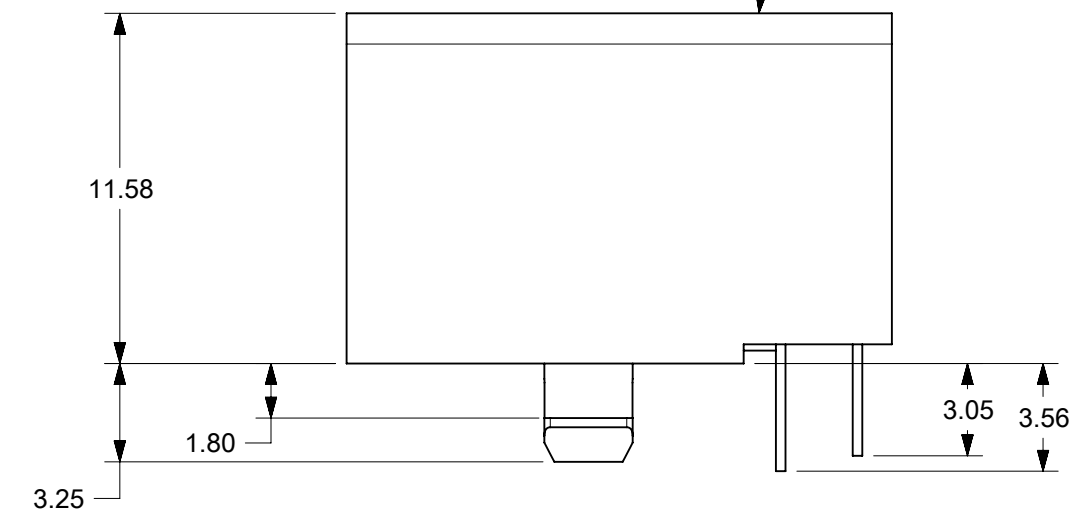


SIZE 6
LOADED 6 SHOWN

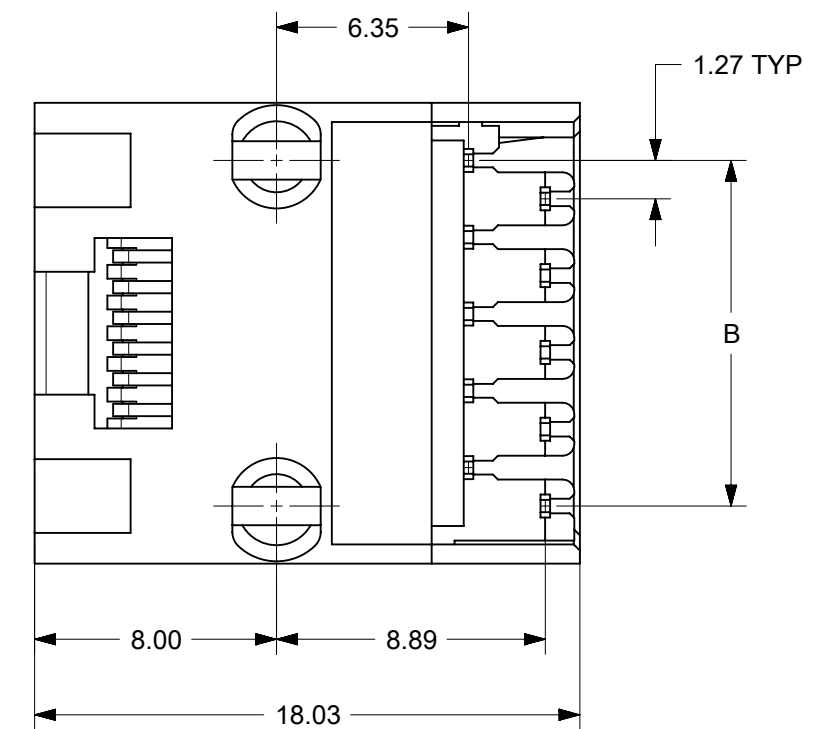


OPTIONAL KEYING SLOT
(8 POSITION, UNSHIELDED HOUSING ONLY)

MODULAR JACK ASSEMBLY
SEE SHEET 6 FOR MATERIAL NO.



PANEL CUT-OUT (UNSHIELDED)



HOUSING SIZE	LOADED CIRCUIT	A	B	C
4	4	11.18	3.81±0.13	11.68±0.13
4	2	11.18	1.27±0.13	11.68±0.13
6	6	13.21	6.35±0.13	13.72±0.13
6	4	13.21	3.81±0.13	13.72±0.13
6	2	13.21	1.27±0.13	13.72±0.13
8	10	15.24	11.43±0.13	15.75±0.13
8	8	15.24	8.89±0.13	15.75±0.13
8	6	15.24	6.35±0.13	15.75±0.13
8	4	15.24	3.81±0.13	15.75±0.13
8	2	15.24	1.27±0.13	15.75±0.13

FUNCTIONAL SYMBOLS	THIS DRAWING CONTAINS INFORMATION THAT IS PROPRIETARY TO MOLEX ELECTRONIC TECHNOLOGIES, LLC AND SHOULD NOT BE USED WITHOUT WRITTEN PERMISSION		
	DIMENSION UNITS	SCALE	CURRENT REV DESC: MIGRATION TO NX
$\frac{F}{A} = 0$	mm	4:1	EC NO: 704381 DRWN: FAYEW CHK'D: KLANG APPR: KLANG 2022/04/18 2022/05/16 2022/05/16
$\frac{F}{C} = 0$	GENERAL TOLERANCES (UNLESS SPECIFIED)		
$\frac{F}{P} = 0$	ANGULAR TOL ± 0.5°		INITIAL REVISION: DRWN: RFC_PLMIMP APPR: REDGLEY 2018/11/02 2000/10/17
DIVISIONAL SYMBOLS	4 PLACES ±	3 PLACES ±	
	2 PLACES ± 0.25	1 PLACE ± 0.36	PRODUCT CUSTOMER DRAWING DOCUMENT NUMBER: SDA-43202 DOC TYPE: PSD DOC PART: 001 REVISION: L9
	0 PLACES ±		MATERIAL NUMBER: GENERAL MARKET CUSTOMER: GENERAL MARKET SHEET NUMBER: 4 OF 9
	DRAFT WHERE APPLICABLE MUST REMAIN WITHIN DIMENSIONS	THIRD ANGLE PROJECTION	DRAWING: C-SIZE SERIES: 43202

H
G
F
E
D
C
B
A

SHIELDED MODULAR JACKS W/BOTTOM GROUND TABS (SHEET 2)								
NOT TOOLED "X"	ASSEMBLY MATERIAL NUMBER.	CONNECTOR SIZE	NOMBER OF CIRCUITS	SIDE/TOP PANEL GROUND TAB OPTION	PCB GROUND TAB POSITION	TERMINAL PLATING OPTION	PACKAGING OPTION	HOUSING COLOR
X	43202-8900	8	10	A	FRONT POSITION	A	TRAY	BLACK
X	43202-8901	8	10	B	FRONT POSITION	A	TRAY	
X	43202-8902	8	10	C	FRONT POSITION	A	TRAY	
X	43202-8903	8	10	D	FRONT POSITION	A	TRAY	
X	43202-8908	8	10	A	REAR POSITION	A	TRAY	
X	43202-8909	8	10	B	REAR POSITION	A	TRAY	
X	43202-8910	8	10	C	REAR POSITION	A	TRAY	
	43202-8911	8	10	D	REAR POSITION	A	TRAY	
	43202-8916	8	8	A	FRONT POSITION	A	TRAY	
	43202-8917	8	8	B	FRONT POSITION	A	TRAY	
X	43202-8918	8	8	C	FRONT POSITION	A	TRAY	
	43202-8919	8	8	D	FRONT POSITION	A	TRAY	
	43202-8924	8	8	A	REAR POSITION	A	TRAY	
X	43202-8925	8	8	B	REAR POSITION	A	TRAY	
X	43202-8926	8	8	C	REAR POSITION	A	TRAY	
	43202-8927	8	8	D	REAR POSITION	A	TRAY	

FUNCTIONAL SYMBOLS $\nabla_A = 0$ $\nabla_C = 0$ $\nabla_P = 0$	THIS DRAWING CONTAINS INFORMATION THAT IS PROPRIETARY TO MOLEX ELECTRONIC TECHNOLOGIES, LLC AND SHOULD NOT BE USED WITHOUT WRITTEN PERMISSION			
	DIMENSION UNITS mm	SCALE 1:1	CURRENT REV DESC: MIGRATION TO NX	
	GENERAL TOLERANCES (UNLESS SPECIFIED) ANGULAR TOL $\pm 0.5^\circ$		EC NO: 704381 DRWN: FAYEW CHK'D: KLANG APPR: KLANG	2022/04/18 2022/05/16 2022/05/16
	DIVISIONAL SYMBOLS 4 PLACES \pm 3 PLACES \pm 2 PLACES ± 0.25 1 PLACE ± 0.36 0 PLACES \pm		INITIAL REVISION: DRWN: RFC_PLMIMP APPR: REDGLE	2018/11/02 2000/10/17
DRAFT WHERE APPLICABLE MUST REMAIN WITHIN DIMENSIONS		THIRD ANGLE PROJECTION 	DRAWING C-SIZE	SERIES 43202
DOCUMENT STATUS P1 RELEASE DATE 2022/05/16 17:27:51		DOCUMENT NUMBER SDA-43202		DOC TYPE PSD
		CUSTOMER GENERAL MARKET		DOC PART 001
		SHEET NUMBER 5 OF 9		REVISION L9

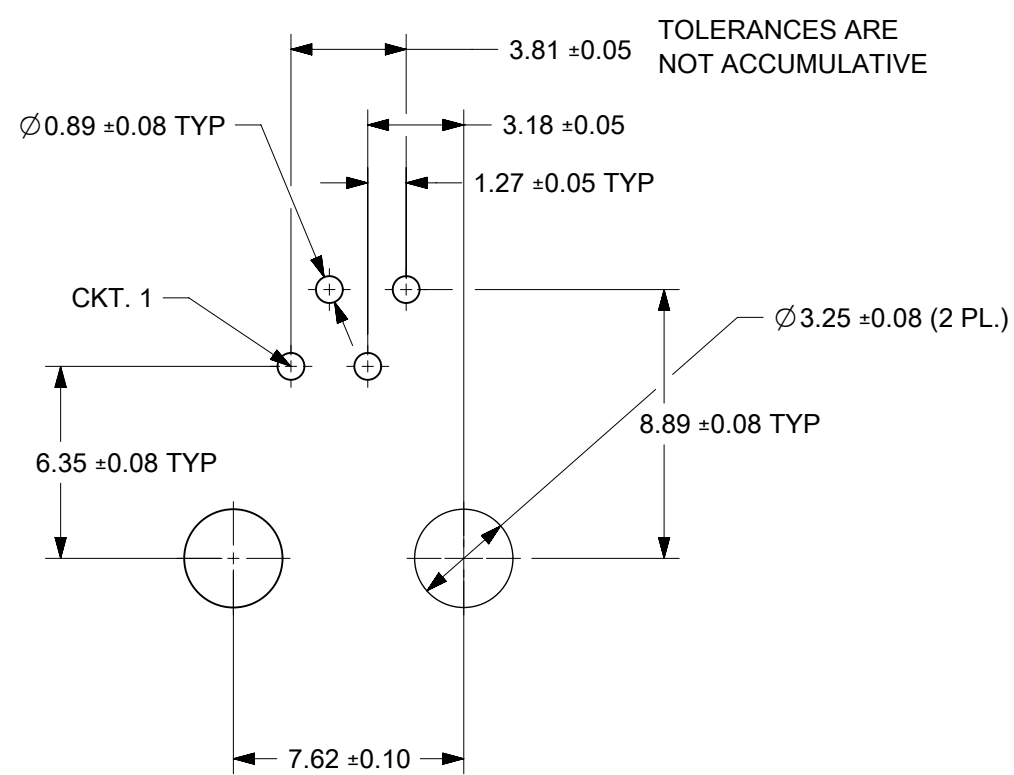
SHIELDED MODULAR JACKS W/O BOTTOM GROUND TABS (SHEET 3)

NOT TOOLED "X"	ASSEMBLY MATERIAL NUMBER	CONNECTOR SIZE	NUMBER OF CIRCUITS	SIDE/TOP PANEL GROUND TAB OPTION	PCB GROUND TAB OPTION	TERMINAL PLATING OPTION	PACKAGING OPTION	HOUSING COLOR
X	43202-8800	8	10	E	FRONT POSITION	A	TRAY	BLACK
X	43202-8801	8	10	F	FRONT POSITION	A	TRAY	
X	43202-8802	8	10	G	FRONT POSITION	A	TRAY	
X	43202-8803	8	10	H	FRONT POSITION	A	TRAY	
X	43202-8808	8	10	E	REAR POSITION	A	TRAY	
X	43202-8809	8	10	F	REAR POSITION	A	TRAY	
X	43202-8810	8	10	G	REAR POSITION	A	TRAY	
	43202-8811	8	10	H	REAR POSITION	A	TRAY	
	43202-8816	8	8	E	FRONT POSITION	A	TRAY	
	43202-8817	8	8	F	FRONT POSITION	A	TRAY	
	43202-8818	8	8	G	FRONT POSITION	A	TRAY	
	43202-8819	8	8	H	FRONT POSITION	A	TRAY	
	43202-8824	8	8	E	REAR POSITION	A	TRAY	
	43202-8825	8	8	F	REAR POSITION	A	TRAY	
X	43202-8826	8	8	G	REAR POSITION	A	TRAY	
	43202-8827	8	8	H	REAR POSITION	A	TRAY	

UNSHIELDED MODULAR JACKS- (SHEET 4)

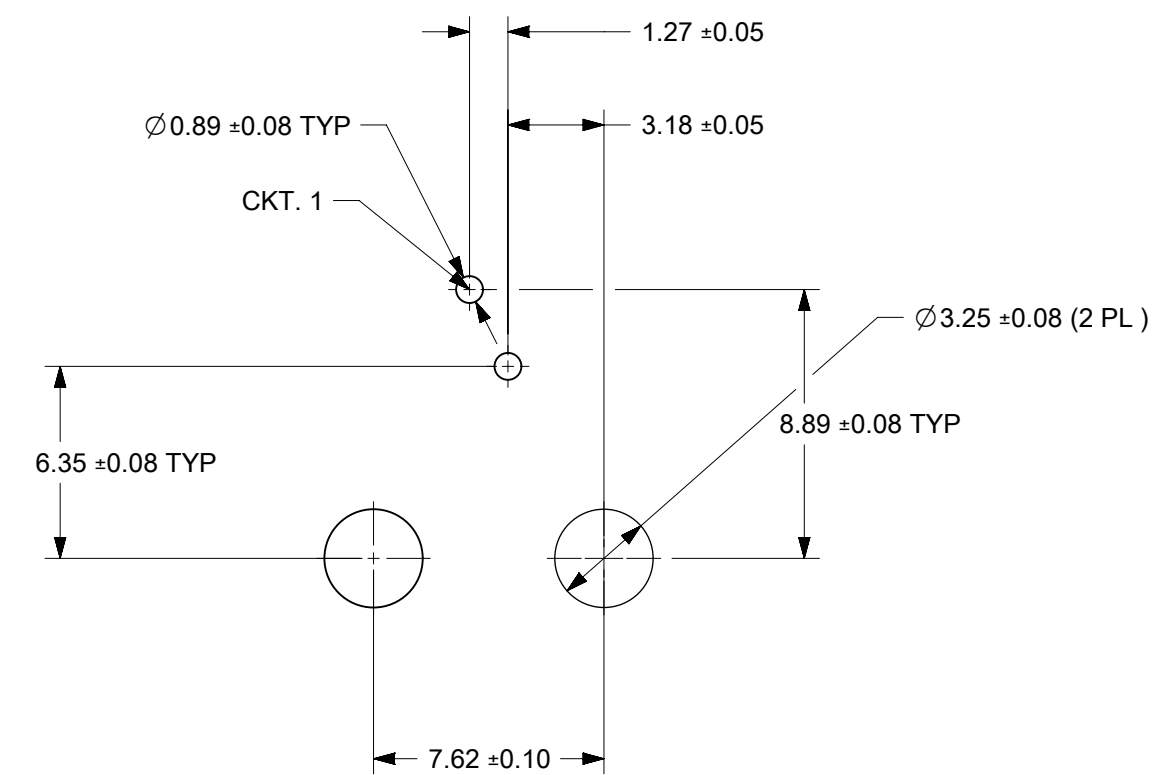
NOT TOOLED "X"	ASSEMBLY MATERIAL NUMBER	CONNECTOR SIZE	NUMBER OF CIRCUITS	TERMINAL PLATING OPTION	KEYING OPTION	PACKAGING OPTION	HOUSING COLOR
	43202-4101	4	4	A	NO	TRAY	BLACK
X	43202-4104	4	2	A	NO	TRAY	
	43202-6101	6	6	A	NO	TRAY	
X	43202-6102	6	6	B	NO	TRAY	
X	43202-6104	6	4	A	NO	TRAY	
	43202-6105	6	4	B	NO	TRAY	
	43202-6107	6	2	A	NO	TRAY	
X	43202-6110	6	6	B	NO	TUBE	
X	43202-6113	6	2	A	NO	TRAY	ORANGE
X	43202-6116	6	2	A	NO	TRAY	GREEN
	43202-8101	8	10	A	NO	TRAY	BLACK
	43202-8104	8	8	A	NO	TRAY	
X	43202-8105	8	8	B	NO	TRAY	
	43202-8113	8	8	A	YES	TRAY	
X	43202-8116	8	6	A	NO	TRAY	
	43202-8119	8	4	A	NO	TRAY	
X	43202-8122	8	2	A	NO	TRAY	
X	43202-8125	8	8	A	NO	TRAY	BLUE
X	43202-8504	8	8	A	NO	TUBE	BLACK
X	43202-8513	8	8	A	YES	TUBE	

FUNCTIONAL SYMBOLS	THIS DRAWING CONTAINS INFORMATION THAT IS PROPRIETARY TO MOLEX ELECTRONIC TECHNOLOGIES, LLC AND SHOULD NOT BE USED WITHOUT WRITTEN PERMISSION				
$\frac{F}{A} = 0$	DIMENSION UNITS	SCALE	CURRENT REV DESC: MIGRATION TO NX		
	mm	1:1	<div style="font-size: 24px; font-weight: bold; margin-bottom: 5px;">molex</div> <p style="margin: 0;">ULTRA LOW PROFILE RIGHT ANGLE MODULAR JACK ASSEMBLY</p> <p style="margin: 0;">PRODUCT CUSTOMER DRAWING</p>		
$\frac{E}{C} = 0$	GENERAL TOLERANCES (UNLESS SPECIFIED)				
$\frac{E}{P} = 0$	ANGULAR TOL ± 0.5°				
DIVISIONAL SYMBOLS	4 PLACES ±	2022/04/18	<div style="font-size: 12px; margin-bottom: 2px;">EC NO: 704381</div> <div style="font-size: 10px; margin-bottom: 2px;">DRWN: FAYEW</div> <div style="font-size: 10px; margin-bottom: 2px;">CHK'D: KLANG</div> <div style="font-size: 10px; margin-bottom: 2px;">APPR: KLANG</div> <div style="font-size: 10px; margin-bottom: 2px;">2022/05/16</div>		
	3 PLACES ±	2022/05/16			
	2 PLACES ± 0.25	2022/05/16			
	1 PLACE ± 0.36	2022/05/16			
	0 PLACES ±	2022/05/16	INITIAL REVISION:		
	DRAFT WHERE APPLICABLE MUST REMAIN WITHIN DIMENSIONS		DRWN: RFC_PLMIMP	2018/11/02	2000/10/17
	THIRD ANGLE PROJECTION	DRAWING	SERIES	DOCUMENT NUMBER	DOC TYPE DOC PART REVISION
		C-SIZE	43202	SDA-43202	PSD 001 L9
	MATERIAL NUMBER	CUSTOMER	SHEET NUMBER		
		GENERAL MARKET	6 OF 9		



PC BOARD LAYOUT FOR 4 POSITION HOUSING
 (4 CIRCUIT FOOT PRINT SHOWN)
 (COMPONENT SIDE OF BOARD)

TOLERANCES ARE NOT ACCUMULATIVE

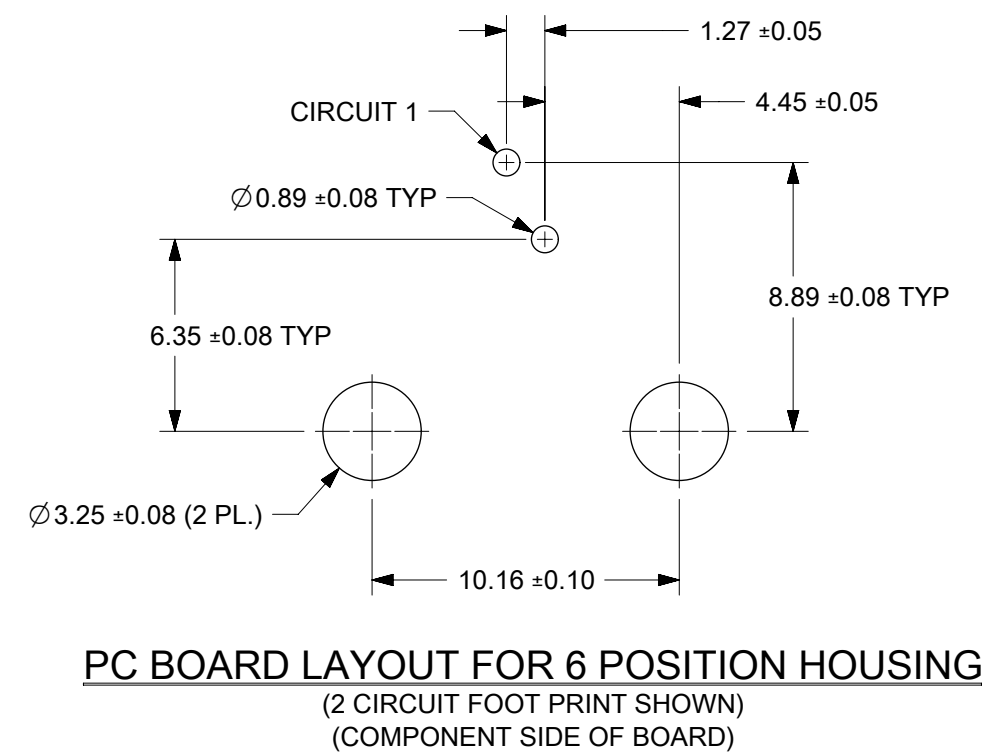
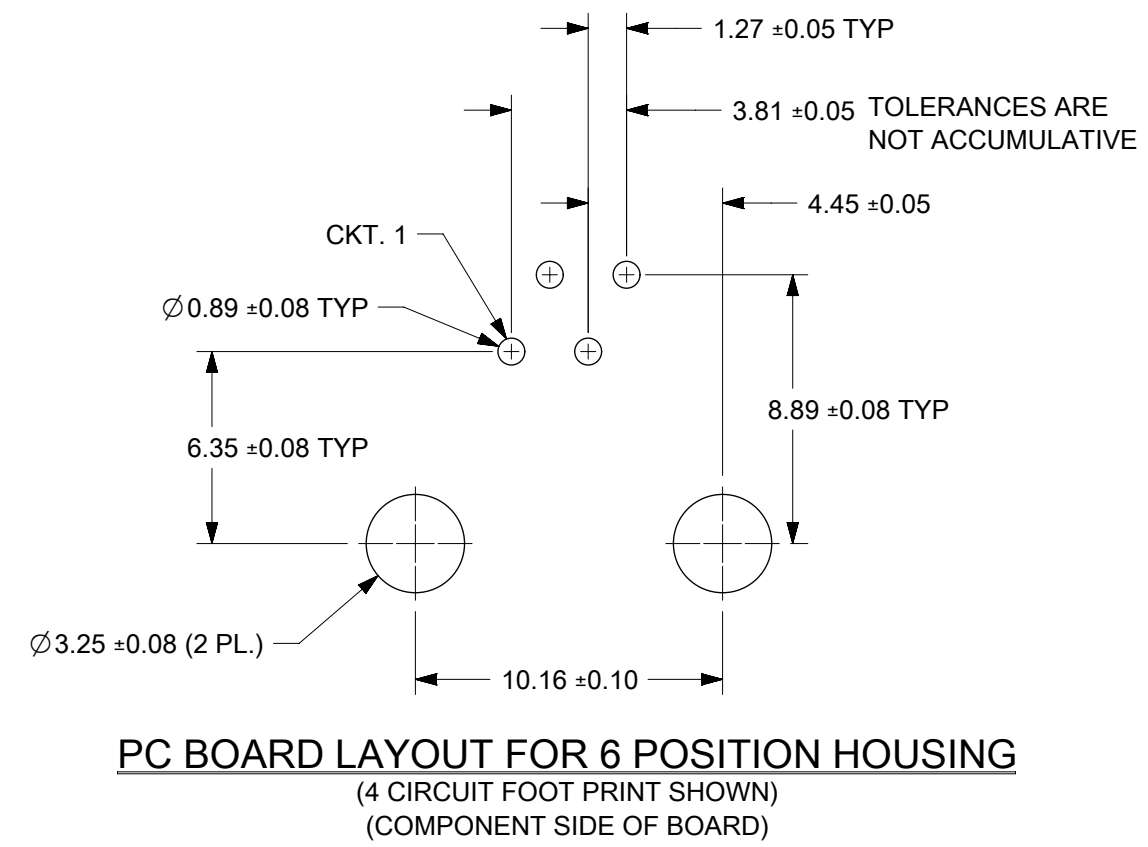
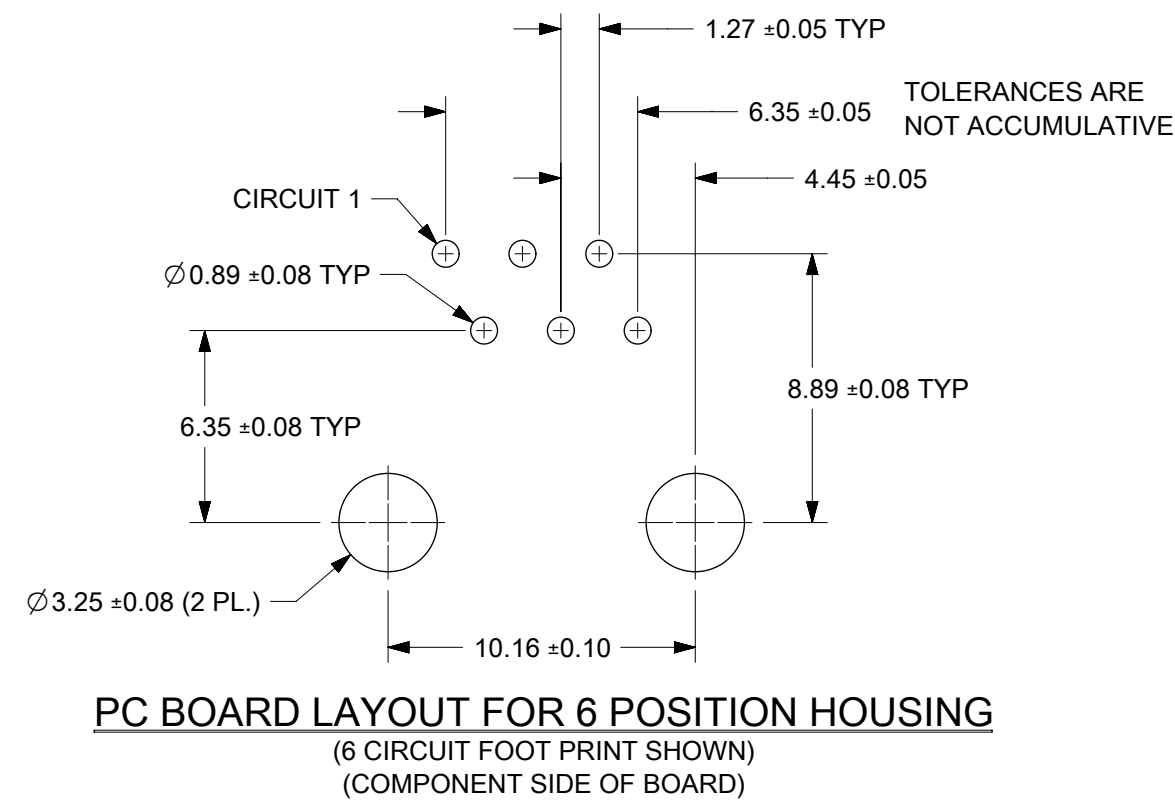


PC BOARD LAYOUT FOR 4 POSITION HOUSING
 (2 CIRCUIT FOOT PRINT SHOWN)
 (COMPONENT SIDE OF BOARD)

NOTES:

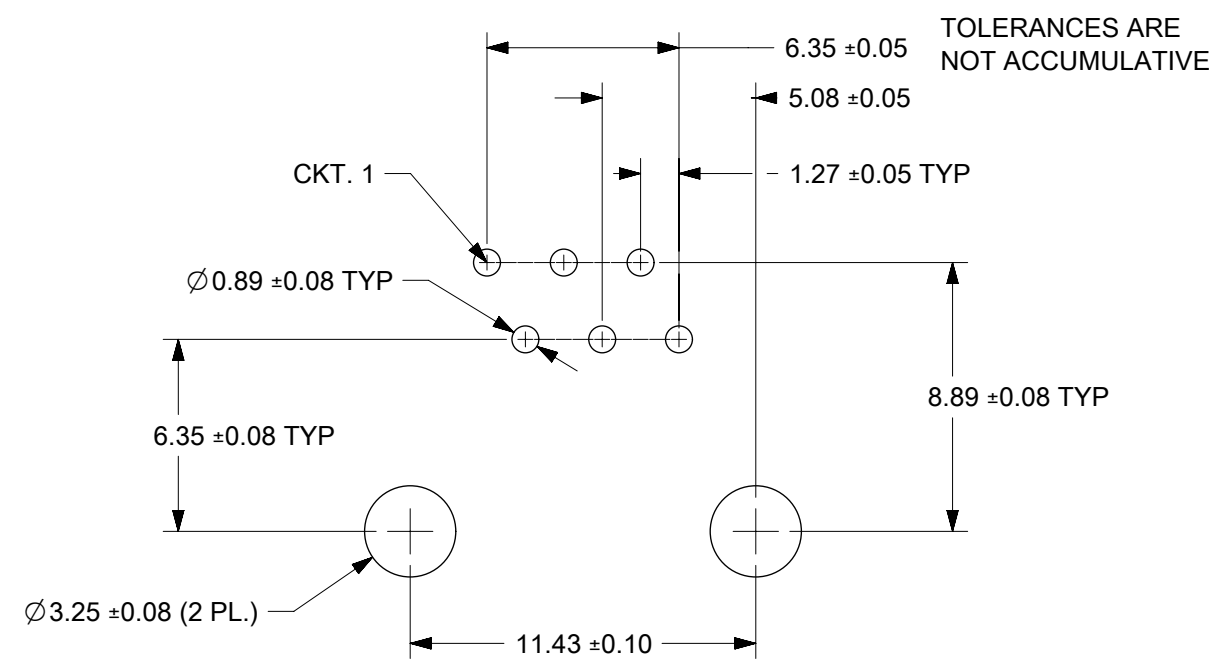
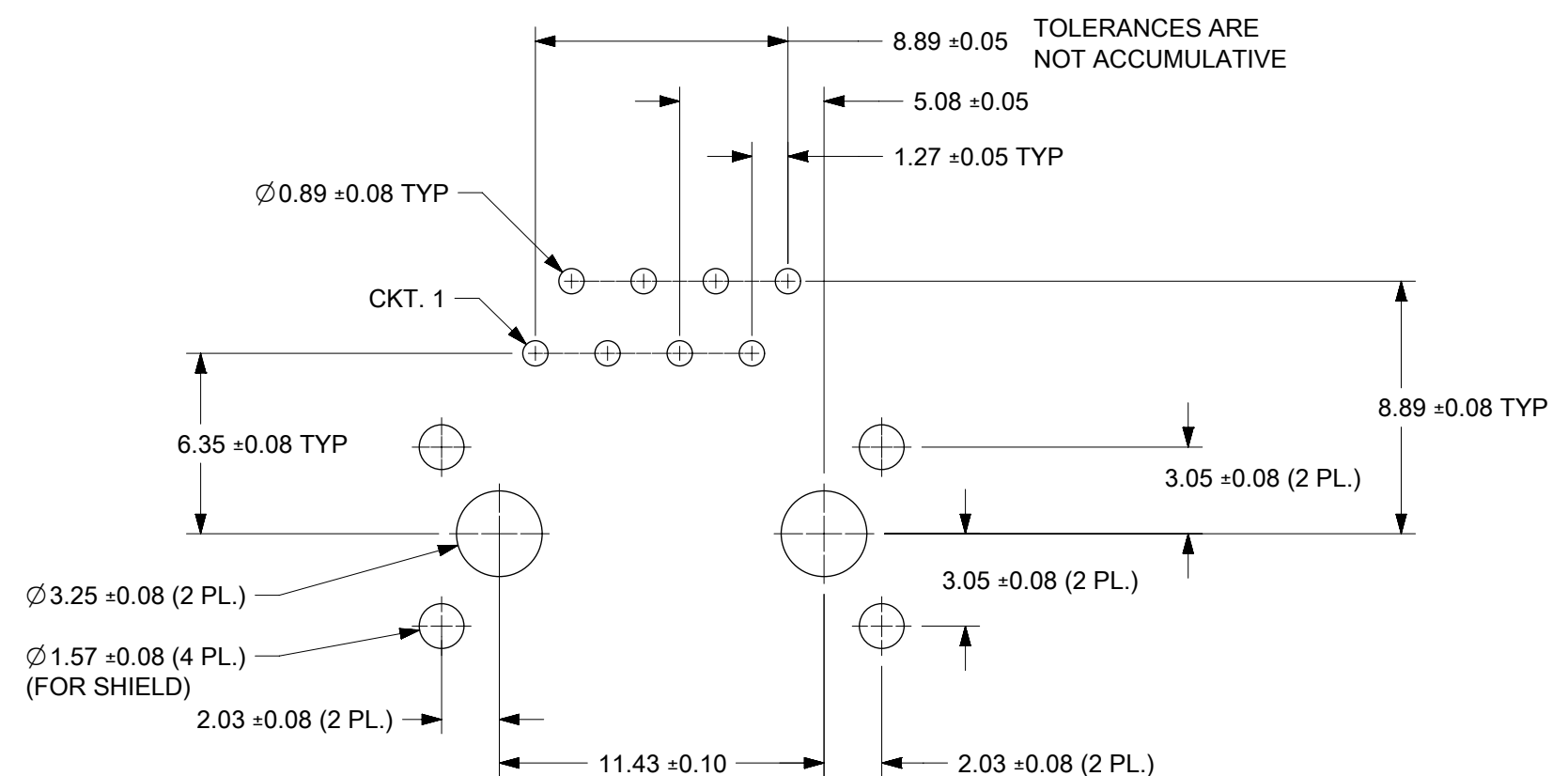
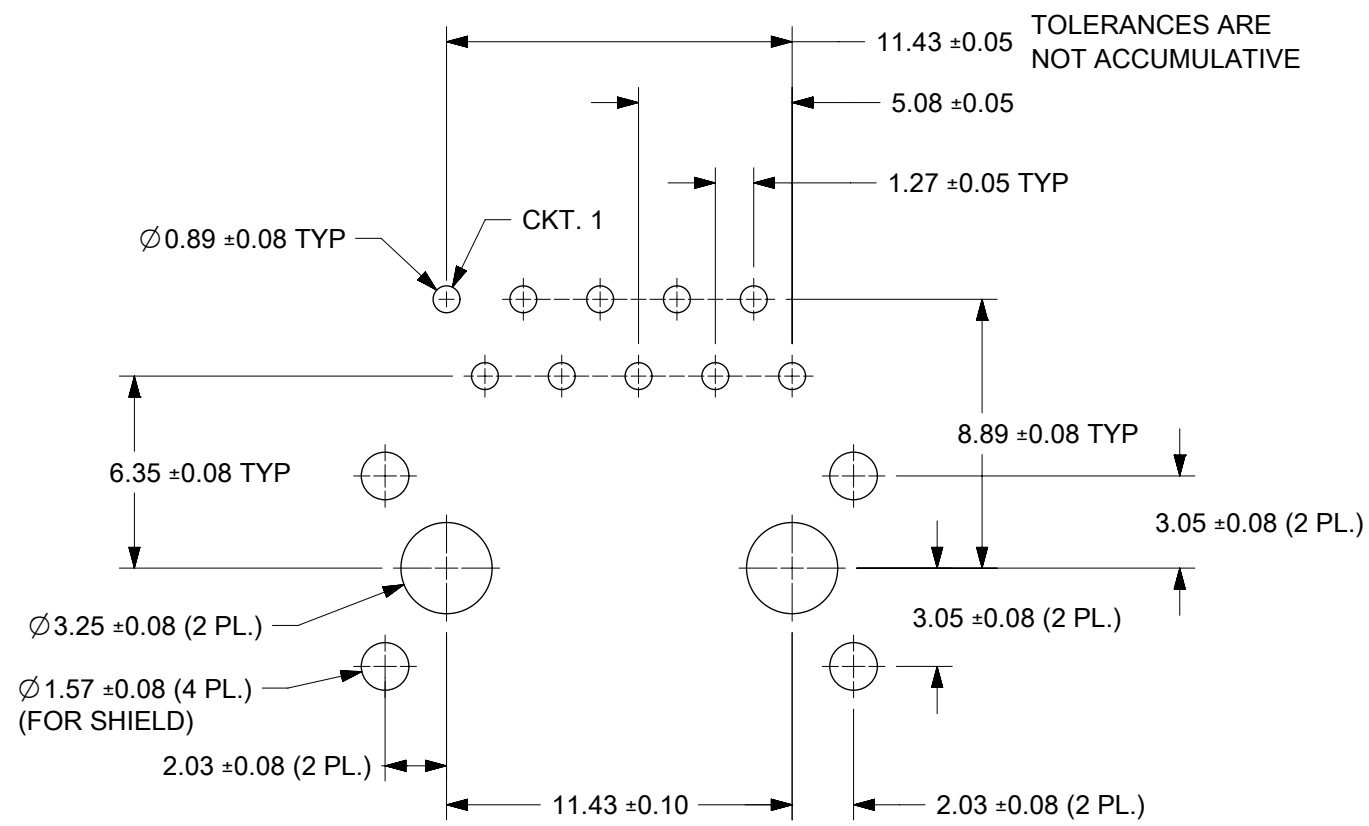
1. RECOMMENDED PCB THICKNESS: 1.57±0.13 mm.

FUNCTIONAL SYMBOLS $\nabla_A = 0$ $\nabla_C = 0$ $\nabla_P = 0$ DIVISIONAL SYMBOLS	THIS DRAWING CONTAINS INFORMATION THAT IS PROPRIETARY TO MOLEX ELECTRONIC TECHNOLOGIES, LLC AND SHOULD NOT BE USED WITHOUT WRITTEN PERMISSION		CURRENT REV DESC: MIGRATION TO NX					
	DIMENSION UNITS	SCALE	EC NO: 704381					ULTRA LOW PROFILE RIGHT ANGLE MODULAR JACK ASSEMBLY
	mm	1:1	DRWN: FAYEW 2022/04/18		PRODUCT CUSTOMER DRAWING			
	GENERAL TOLERANCES (UNLESS SPECIFIED)		CHK'D: KLANG 2022/05/16		DOCUMENT NUMBER			
ANGULAR TOL ± 0.5°		APPR: KLANG 2022/05/16		SDA-43202		DOC TYPE	DOC PART	REVISION
4 PLACES ±		INITIAL REVISION:		PSD		001	L9	
3 PLACES ±		DRWN: RFC_PLMIMP 2018/11/02		GENERAL MARKET		SHEET NUMBER		
2 PLACES ± 0.25		APPR: REDGLEW 2000/10/17		7 OF 9				
1 PLACE ± 0.36		THIRD ANGLE PROJECTION						
0 PLACES ±		DRAWING						
DRAFT WHERE APPLICABLE MUST REMAIN WITHIN DIMENSIONS		C-SIZE						
		SERIES						
		43202						



NOTES:
1. RECOMMENDED PCB THICKNESS: 1.57±0.13 mm.

FUNCTIONAL SYMBOLS	THIS DRAWING CONTAINS INFORMATION THAT IS PROPRIETARY TO MOLEX ELECTRONIC TECHNOLOGIES, LLC AND SHOULD NOT BE USED WITHOUT WRITTEN PERMISSION										
	DIMENSION UNITS	SCALE	CURRENT REV DESC: MIGRATION TO NX							molex	
	mm	1:1									
	GENERAL TOLERANCES (UNLESS SPECIFIED)			EC NO: 704381							ULTRA LOW PROFILE
ANGULAR TOL ± 0.5°			DRWN: FAYEW 2022/04/18							RIGHT ANGLE MODULAR JACK ASSEMBLY	
4 PLACES ±			CHK'D: KLANG 2022/05/16							PRODUCT CUSTOMER DRAWING	
3 PLACES ±			APPR: KLANG 2022/05/16							DOCUMENT NUMBER	
2 PLACES ± 0.25			INITIAL REVISION:							SDA-43202	
1 PLACE ± 0.36			DRWN: RFC_PLMIMP 2018/11/02							DOC TYPE	
0 PLACES ±			APPR: REDGLEY 2000/10/17							PSD	
DRAFT WHERE APPLICABLE MUST REMAIN WITHIN DIMENSIONS			THIRD ANGLE PROJECTION		DRAWING		SERIES		DOC PART		
			C-SIZE		43202		REVISION		L9		
			MATERIAL NUMBER		CUSTOMER		SHEET NUMBER		8 OF 9		
			GENERAL MARKET								



NOTES:

1. RECOMMENDED PCB THICKNESS: 1.57±0.13 mm.

FUNCTIONAL SYMBOLS	THIS DRAWING CONTAINS INFORMATION THAT IS PROPRIETARY TO MOLEX ELECTRONIC TECHNOLOGIES, LLC AND SHOULD NOT BE USED WITHOUT WRITTEN PERMISSION										
	DIMENSION UNITS	SCALE	CURRENT REV DESC: MIGRATION TO NX								
$\frac{F}{A} = 0$	mm	1:1	EC NO: 704381								
$\frac{E}{C} = 0$	GENERAL TOLERANCES (UNLESS SPECIFIED)		DRWN: FAYEW 2022/04/18							RIGHT ANGLE MODULAR JACK ASSEMBLY	
$\frac{E}{P} = 0$	ANGULAR TOL ± 0.5°		CHK'D: KLANG 2022/05/16							PRODUCT CUSTOMER DRAWING	
DIVISIONAL SYMBOLS	4 PLACES ±		APPR: KLANG 2022/05/16							DOCUMENT NUMBER	
	3 PLACES ±		INITIAL REVISION:							SDA-43202	
	2 PLACES ± 0.25		DRWN: RFC_PLMIMP 2018/11/02							DOC TYPE	
	1 PLACE ± 0.36		APPR: REDGLE 2000/10/17							DOC PART	
0 PLACES ±		THIRD ANGLE PROJECTION		DRAWING		SERIES		REVISION			
DRAFT WHERE APPLICABLE MUST REMAIN WITHIN DIMENSIONS				C-SIZE		43202		L9			
MATERIAL NUMBER		CUSTOMER		SHEET NUMBER							
GENERAL MARKET		9 OF 9									