

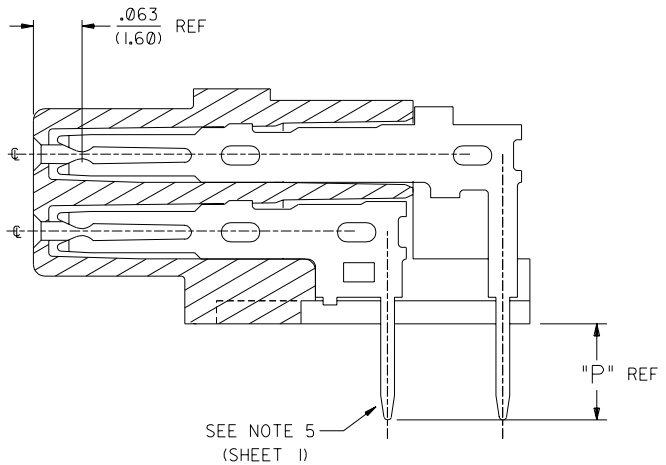
- NOTES:
- REFER TO PS-79058 PRODUCT SPEC. FOR ELECTRICAL, MECHANICAL AND ENVIRONMENTAL SPECIFICATIONS.
 - MATERIAL:
RECEPTACLE HOUSING: GLASS FILLED LCP (LIQUID CRYSTAL POLYMER); COLOR - BLACK; UL 94V-0
TERMINALS: PHOSPHOR BRONZE
 - PACKAGING:
PARTS PACKAGED IN TUBES PER PK-70873-0423
 - SEE SHEET 5 FOR CHARTED DIMENSIONS.
 - FOR FIXED TAIL/PCB PATTERN AT LAST CIRCUIT POSITIONS REFER TO SECTION A-A ON SHEETS 2 AND 3, AND PCB LAYOUT SHOWN ON SHEETS 4 AND 5.
- PLATING FINISH
SELECTIVE GOLD: THICKNESS= 30 MICROINCHES/(0.76 MICROMETERS) MINIMUM.
SELECTIVE TIN: THICKNESS= 75 MICROINCHES/(1.90 MICROMETERS) MINIMUM.
NICKEL UNDERPLATE OVERALL.

NOTE FOR LEAD FREE CONVERSION:
THE PRIMARY SHIPPING CARTON WILL BE LABELED "COMPLIANT TO ROHS DIRECTIVE 2002/95/EC AND ELV ANNEX II OF DIRECTIVE 2000/53/EC". CARTONS WITHOUT THIS LABEL MAY CONTAIN PRODUCT WITH LEAD.

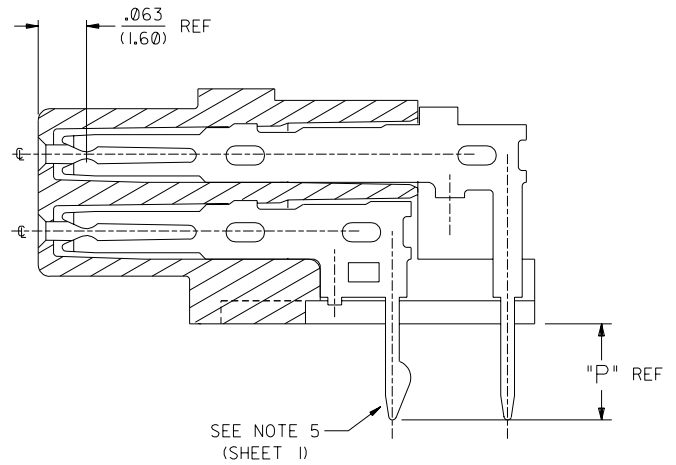
E		ADDED -3* SERIES EC #UDT2000-0115 J. LONG 99/07/30		DIMENSIONS SHOWN (METRIC) INCH UNLESS OTHERWISE SPECIFIED TOLERANCES: ANGULAR ± 1/2°		REVISE ONLY ON CAD SYSTEM	
G	OBSOLETE PART # ECN# UCP2005-0311 BSMART 04/08/09	DI	ADDED DATE CODE PER EC # U80357 J. LONG 97/07/24	3 PLACE ± .005 ---	INCH METRIC	TITLE SALES ASSEMBLY SCSI RECEPTACLE	
F	LEADFREE ECN# UCP2004-1925 DMORGAN 04/04/06	D	ADDED NEW TAIL PATTERN PER ECN # U60600 95/11/14 J. LONG	2 PLACE ± --- ± 0.13		MOLEX INCORPORATED SHEET NO. DATE U.S.A. 1 of 5 95/03/02	
LTR.	REVISIONS	LTR.	REVISIONS	1 PLACE --- ± ---		PART NO. DRWG. NO. SEE SHEET 5 SDA-71061-****	
				DRAFT WHERE APPLICABLE MUST REMAIN WITHIN DIMENSIONS		THIS DRAWING CONTAINS INFORMATION THAT IS PROPRIETARY TO MOLEX INC. AND SHOULD NOT BE USED WITHOUT WRITTEN PERMISSION.	
				DRWG. BY J. Long	CHK'D BY J. Long	FILE NAME 57106101.DGN	DIV. SIZE dc C
				APP'D. BY DJB	SCALE 4 1		

5	G
4	G
3	G
2	G
1	G
MFG. SH. REV.	

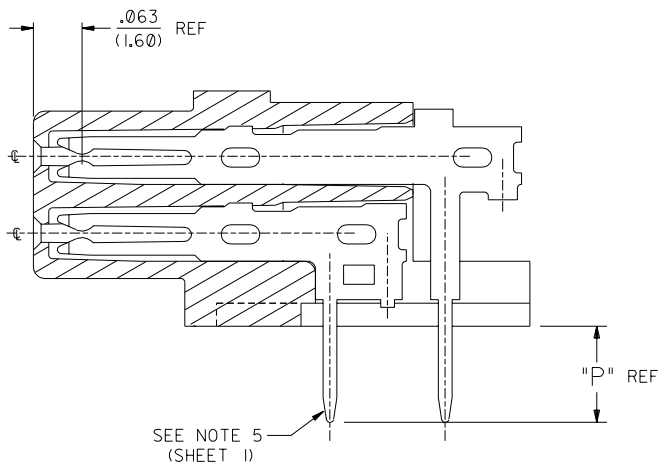
71061



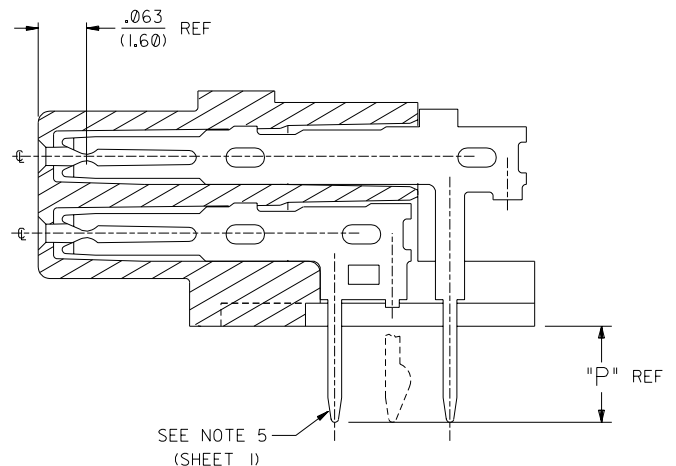
FOR 50 CIRCUIT ASSEMBLIES
A-71061-0***



FOR 50 CIRCUIT ASSEMBLIES
A-71061-1***



FOR 68 CIRCUIT ASSEMBLIES
SECTION A-A
A-71061-0***



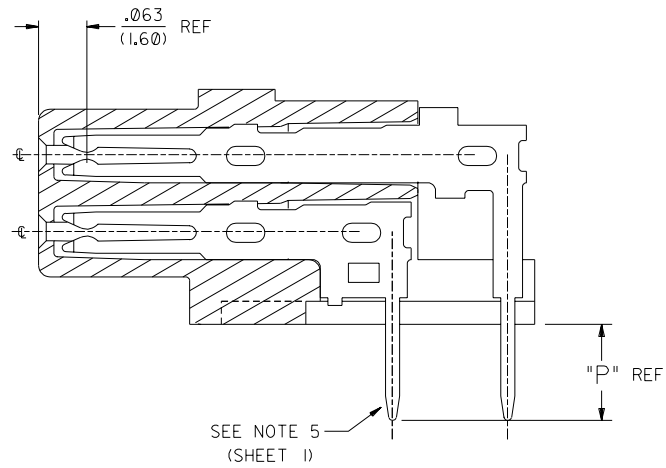
FOR 68 CIRCUIT ASSEMBLIES
SECTION A-A
FOR RETENTION TAIL OPTION
A-71061-1***

** TYPE I TAIL OPTIONS **

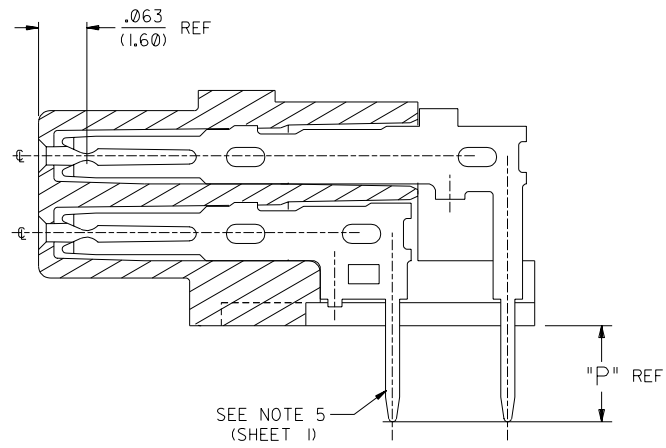
		D	SEE SHEET 1
G	SEE SHEET 1	B	SEE SHEET 1
E	SEE SHEET 1	A	SEE SHEET 1
LTR.	REVISIONS	LTR.	REVISIONS

DIMENSIONS SHOWN (METRIC) INCH	
UNLESS OTHERWISE SPECIFIED TOLERANCES: ANGULAR ± 1/2°	
3 PLACE	± .005
2 PLACE	± --- ± 0.13
1 PLACE	± --- ± ---
DRAFT WHERE APPLICABLE MUST REMAIN WITHIN DIMENSIONS	
DRWG. BY: J. Long	CHK'D. BY: J. Long
APP'D. BY:	SCALE: 4 : 1

MFG. SH. REV.		REVISE ONLY ON CAD SYSTEM	
TITLE: SALES ASSEMBLY SCSI RECEPTACLE		SHEET NO. 2	DATE 95/03/03
MOLEX INCORPORATED, LISLE, ILL. 60532 U.S.A.		PART NO. SDA-71061-***	
SEE SHEET 5		DRWG. NO. SDA-71061-***	
FILE NAME: 57106102.DEN		THIS DRAWING CONTAINS INFORMATION THAT IS PROPRIETARY TO MOLEX INC. AND SHOULD NOT BE USED WITHOUT WRITTEN PERMISSION.	
DC	C	DC	C



FOR TYPE I 50 CIRCUIT ASSEMBLIES
A-71061-2***

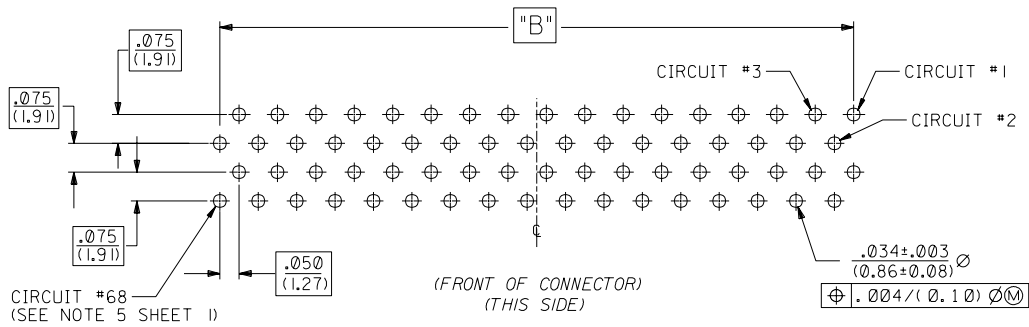


FOR TYPE II 68 CIRCUIT ASSEMBLIES
SECTION A-A
A-71061-2***

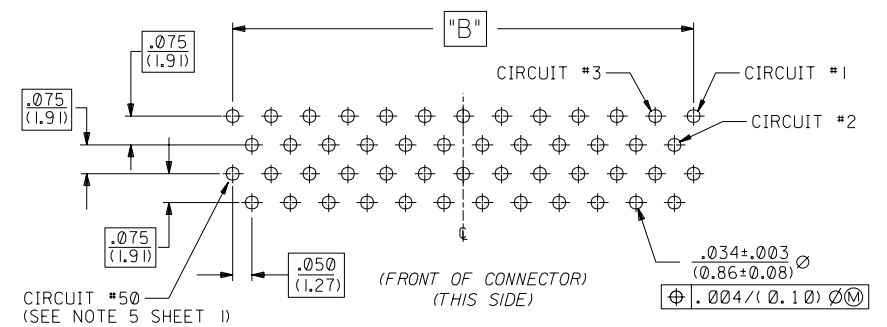
71061

MFG. SH. REV.

		G		SEE SHEET 1		DIMENSIONS SHOWN (METRIC) INCH		REVISE ONLY ON CAD SYSTEM																			
		E		SEE SHEET 1		UNLESS OTHERWISE SPECIFIED TOLERANCES: ANGULAR ± 1/2°		TITLE SALES ASSEMBLY SCSI RECEPTACLE																			
		D		SEE SHEET 1		<table border="1"> <tr> <th>3 PLACE</th> <th>±</th> <th>INCH</th> <th>METRIC</th> </tr> <tr> <td>2 PLACE</td> <td>±</td> <td>---</td> <td>± 0.13</td> </tr> <tr> <td>1 PLACE</td> <td>---</td> <td>±</td> <td>---</td> </tr> </table>		3 PLACE	±	INCH	METRIC	2 PLACE	±	---	± 0.13	1 PLACE	---	±	---	<table border="1"> <tr> <td>MOLEX INCORPORATED</td> <td>SHEET NO.</td> <td>DATE</td> </tr> <tr> <td>LITSE, ILL. 60532 U.S.A.</td> <td>3</td> <td>95/11/14</td> </tr> </table>		MOLEX INCORPORATED	SHEET NO.	DATE	LITSE, ILL. 60532 U.S.A.	3	95/11/14
3 PLACE	±	INCH	METRIC																								
2 PLACE	±	---	± 0.13																								
1 PLACE	---	±	---																								
MOLEX INCORPORATED	SHEET NO.	DATE																									
LITSE, ILL. 60532 U.S.A.	3	95/11/14																									
LTR.		REVISIONS		LTR.		REVISIONS		PART NO. SDA-71061-*** FILE NAME S71061-03.DEN THIS DRAWING CONTAINS INFORMATION THAT IS PROPRIETARY TO MOLEX INC. AND SHOULD NOT BE USED WITHOUT WRITTEN PERMISSION.																			
						DRAFT WHERE APPLICABLE MUST REMAIN WITHIN DIMENSIONS DRWG. BY J. Long APP'D. BY J. Long CHK'D. BY J. Long SCALE 4:1		DRWG. NO. SEE SHEET 5 DIV. DC SIZE C																			

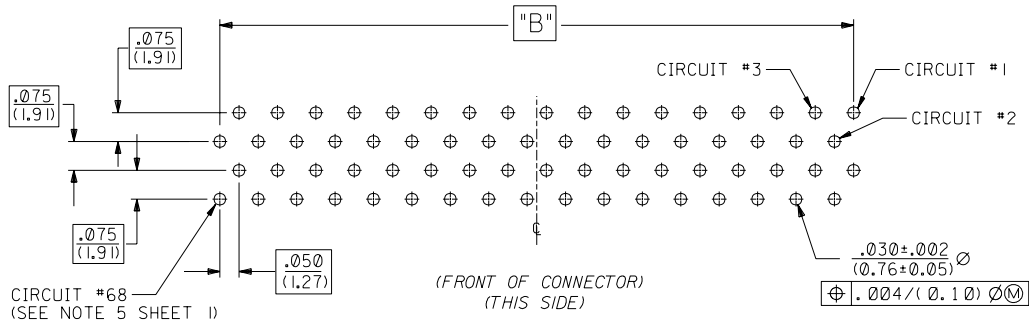


TYPE 168 CIRCUIT P.C. BOARD LAYOUT
CONNECTOR SIDE

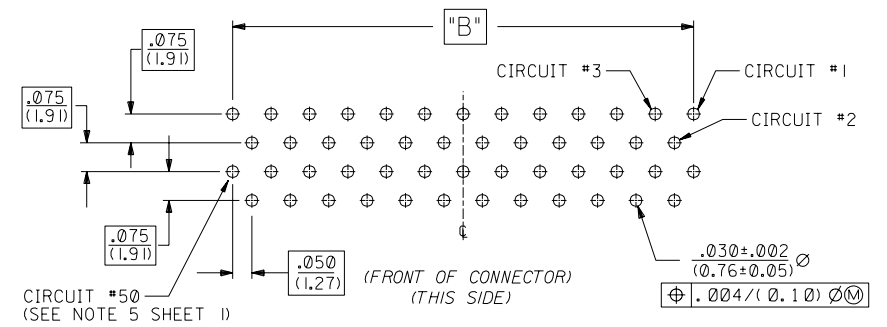


TYPE 150 CIRCUIT P.C. BOARD LAYOUT
CONNECTOR SIDE

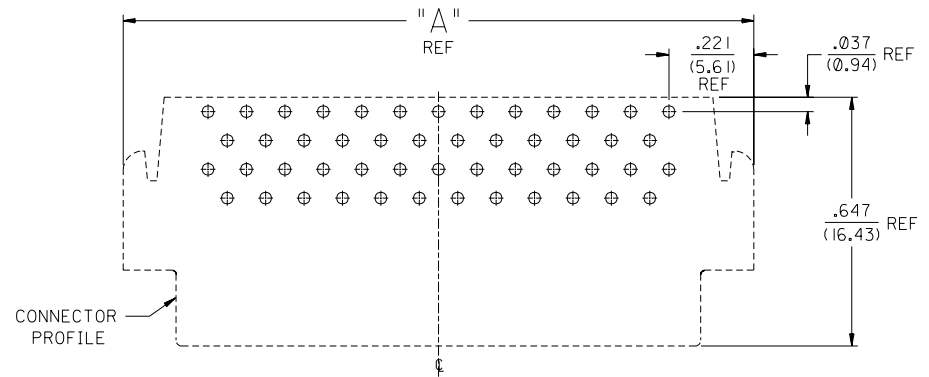
TYPE 1 TAIL P.C. BOARD LAYOUT FOR A-71061-0***



TYPE 168 CIRCUIT P.C. BOARD LAYOUT
CONNECTOR SIDE



TYPE 150 CIRCUIT P.C. BOARD LAYOUT
CONNECTOR SIDE



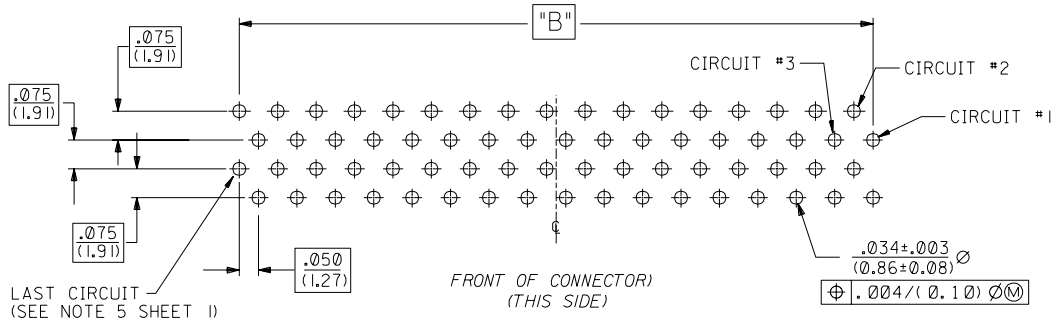
RECOMMENDED CONNECTOR LAYOUT
(50 CKT SHOWN FOR REFERENCE)

TYPE 1 RETENTION TAIL P.C. BOARD LAYOUT A-71061-1***

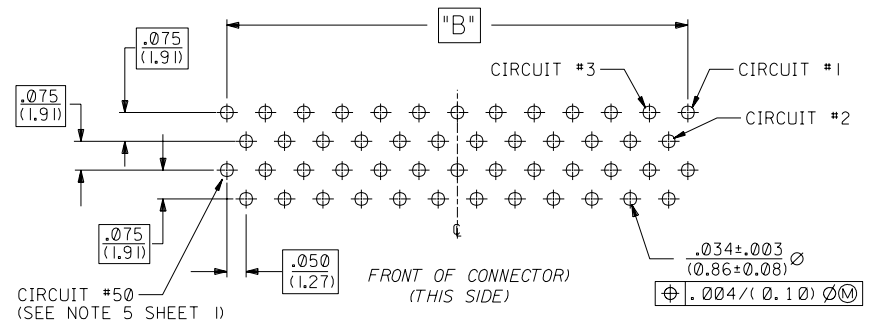
D		SEE SHEET 1	DIMENSIONS SHOWN (METRIC) INCH		REVISE ONLY ON CAD SYSTEM	
G		SEE SHEET 1	UNLESS OTHERWISE SPECIFIED TOLERANCES: ANGULAR ± 1/2°		TITLE SALES ASSEMBLY SCSI RECEPTACLE	
E		SEE SHEET 1	3 PLACE ± .005 METRIC		MOLEX INCORPORATED SHEET NO. 4 DATE 95/03/03	
L.T.R.		REVISIONS	2 PLACE ± --- ± 0.13		PART NO. SEE SHEET 5 SDA-71061-***	
			1 PLACE --- ± ---		FILE NAME 57106104.DGN	
			DRAFT WHERE APPLICABLE MUST REMAIN WITHIN DIMENSIONS		THIS DRAWING CONTAINS INFORMATION THAT IS PROPRIETARY TO MOLEX INC. AND SHOULD NOT BE USED WITHOUT WRITTEN PERMISSION.	
			DRWG. BY J. Long		DIV. DC	
			CHK'D BY J. Long		SIZE	
			APPR'D BY		SCALE 1	

13	12	11	10	9	8	7	6	5	4	3	2	1		
A-71061-0*** ITEM NO.	A-71061-1*** ITEM NO.	A-71061-2*** ITEM NO.		CKT. SIZE	DIM. A INCH MM		DIM. B INCH MM		DIM. C INCH MM		DIM. P INCH MM		RECMD PCB INCH MM	
71061-0001				50	1.642	41.71	1.200	30.48	1.366	34.70	.125	3.18	.062	1.57
71061-0003	71061-1003	71061-2003		68	2.092	53.14	1.650	41.91	1.816	46.13	.125	3.18	.062	1.57

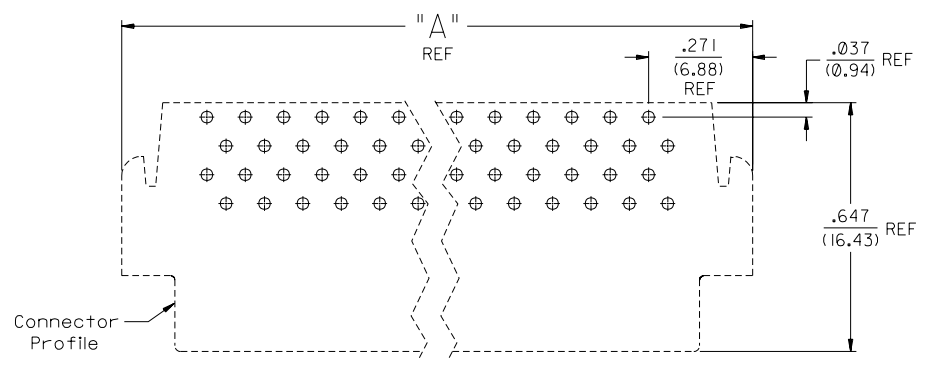
71061



TYPE 1168 CIRCUIT P.C. BOARD LAYOUT
CONNECTOR SIDE



TYPE 150 CIRCUIT P.C. BOARD LAYOUT
CONNECTOR SIDE



Recommended Connector Layout
(TYPE 1168 CIRCUIT SHOWN FOR REFERENCE)

TYPE 11 TAIL P.C. BOARD LAYOUT FOR 68 CKT A-71061-2***

LTR. REVISIONS		LTR. REVISIONS		DIMENSIONS SHOWN (METRIC) INCH UNLESS OTHERWISE SPECIFIED TOLERANCES: ANGULAR ± 1/2°		REVISE ONLY ON CAD SYSTEM													
G SEE SHEET 1		E SEE SHEET 1		<table border="1"> <tr> <th>3 PLACE</th> <th>±</th> <th>INCH</th> <th>METRIC</th> </tr> <tr> <td>2 PLACE</td> <td>±</td> <td>---</td> <td>± 0.13</td> </tr> <tr> <td>1 PLACE</td> <td>---</td> <td>±</td> <td>---</td> </tr> </table>		3 PLACE	±	INCH	METRIC	2 PLACE	±	---	± 0.13	1 PLACE	---	±	---	TITLE SALES ASSEMBLY SCSI RECEPTACLE	
3 PLACE	±	INCH	METRIC																
2 PLACE	±	---	± 0.13																
1 PLACE	---	±	---																
G SEE SHEET 1		D SEE SHEET 1		<table border="1"> <tr> <td>DRWG. BY J. Long</td> <td>CHK'D. BY J. Long</td> <td>FILE NAME S71061-105 DEN.</td> <td>SCALE 1/4"</td> <td>SHEET NO. 5</td> <td>DATE 95/11/14</td> </tr> </table>		DRWG. BY J. Long	CHK'D. BY J. Long	FILE NAME S71061-105 DEN.	SCALE 1/4"	SHEET NO. 5	DATE 95/11/14	PART NO. SEE CHART							
DRWG. BY J. Long	CHK'D. BY J. Long	FILE NAME S71061-105 DEN.	SCALE 1/4"	SHEET NO. 5	DATE 95/11/14														
LTR. REVISIONS		LTR. REVISIONS		<table border="1"> <tr> <td>MOLEX INCORPORATED LITSE, ILL. 60532</td> <td>U.S.A.</td> <td>SHEET NO. 5</td> <td>DATE 95/11/14</td> </tr> </table>		MOLEX INCORPORATED LITSE, ILL. 60532	U.S.A.	SHEET NO. 5	DATE 95/11/14	<table border="1"> <tr> <td>DRWG. NO. SDA-71061-***</td> <td>DIV. DC</td> <td>SIZE C</td> </tr> </table>		DRWG. NO. SDA-71061-***	DIV. DC	SIZE C					
MOLEX INCORPORATED LITSE, ILL. 60532	U.S.A.	SHEET NO. 5	DATE 95/11/14																
DRWG. NO. SDA-71061-***	DIV. DC	SIZE C																	
THIS DRAWING CONTAINS INFORMATION THAT IS PROPRIETARY TO MOLEX INC. AND SHOULD NOT BE USED WITHOUT WRITTEN PERMISSION.																			

71061