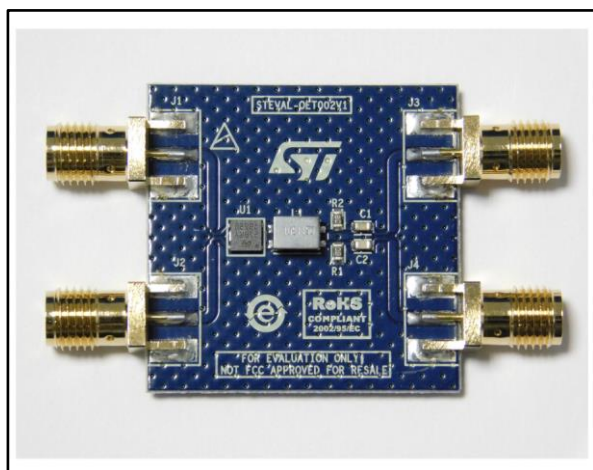


## MDI BRR board for EMIF02-01OABRY or EMIF02-02OABRY

Data brief



### Description

The STEVAL-OET002V1 is a medium-dependent interface (MDI) board which includes the EMIF02-01OABRY filter, in compliance with BroadR-Reach™ specifications for EMI, ESD and differential impedance. BroadR-Reach™ (BRR) is an Ethernet, two unshielded twisted pair (UTP) wire protocol for data communication.

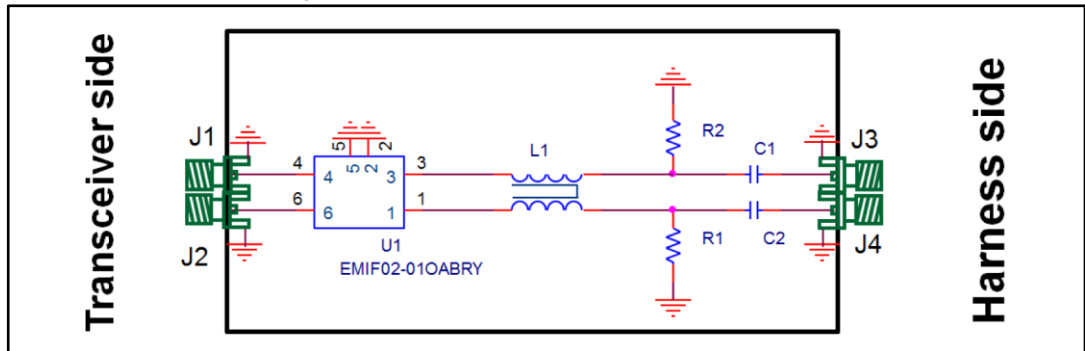
The STEVAL-OET002V1 board is able to filter parasitic and undesirable common and differential signals.

### Features

- Includes the EMIF02-01OABRY highly integrated solution designed to suppress EMI noise and protect against ESD
- Attenuation profile compliant with BroadR-Reach™ requirements, from - 40 °C to 125 °C
- Compliant with ISO10605, ISO7637-3 standards
- RoHS compliant

# 1 Schematic diagram

Figure 1: STEVAL-OET002V1 circuit schematic



The board schematic shows four RF SMA connectors (J1, J2, J3 and J4) for the following connections:

- the board to VNA to check Sddxx curves
- for BRR communication (e.g., from camera to display):
  - the BroadR-Reach transceiver wires (TRD\_N and TRD\_P pins) and GND on transceiver side (J1, J2)
  - UTP on harness side (no GND needed) (J3, J4).

Thanks to EMIF02-01OABR, ESD and transient voltages can be applied on MDI without transceiver failure.

For more information, refer to the *BroadR-Reach Transceiver EMC Test Specification*.

## 2 Revision history

**Table 1: Document revision history**

Date	Version	Changes
22-Jun-2016	1	Initial release.
03-Oct-2016	2	Updated title on the cover page.

**IMPORTANT NOTICE – PLEASE READ CAREFULLY**

STMicroelectronics NV and its subsidiaries ("ST") reserve the right to make changes, corrections, enhancements, modifications, and improvements to ST products and/or to this document at any time without notice. Purchasers should obtain the latest relevant information on ST products before placing orders. ST products are sold pursuant to ST's terms and conditions of sale in place at the time of order acknowledgement.

Purchasers are solely responsible for the choice, selection, and use of ST products and ST assumes no liability for application assistance or the design of Purchasers' products.

No license, express or implied, to any intellectual property right is granted by ST herein.

Resale of ST products with provisions different from the information set forth herein shall void any warranty granted by ST for such product.

ST and the ST logo are trademarks of ST. All other product or service names are the property of their respective owners.

Information in this document supersedes and replaces information previously supplied in any prior versions of this document.

© 2016 STMicroelectronics – All rights reserved