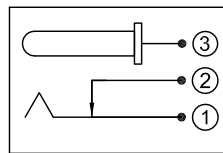
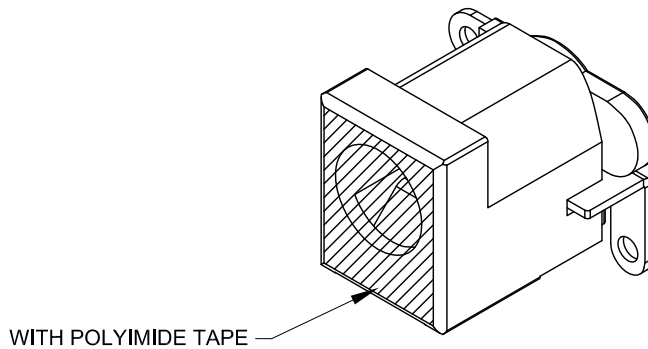


Recommended PCB Layout  
(Top View)



Schematic

**Material and Finish**

Main Housing: High Temp.  
Bottom Cover: High Temp.  
UL94V-0, Color: Black

Center Pin: Copper Alloy, Nickel Plated  
Contact #1: Copper Alloy, Silver Plated  
Contact #2: Copper Alloy, Silver Plated  
Contact #3: Copper Alloy, Silver Plated

**Electrical Characteristics**

Rated Voltage: 16V DC

Rated Current: 3.5 Amps

Contact Resistance :

30 milliohms Max. (Initial)

50 milliohms Max. (Final)

Insulation Resistance:

100 Megohms Min.at 500V DC

Dielectric Withstanding Voltage:

500V AC for 1 minute

**Mechanical Characteristics**

Durability Test: 5000 cycles

Insertion Force: 0.2kg-3.0kg

Extraction Force: 0.2kg-3.0kg

Operating Temp: -25°C to +85°C



Tolerances
X.X ± 0.35
X.XX ± 0.25
Unless Stated
Otherwise

REV.	DATE	DESCRIPTION	REV. BY	CHK. BY	DRAWN BY	DATE
A0	12/01/16	New Drawing	H. MA	W. Cook	H. MA	11/18/16
A1	12/28/16	Release Drawing	G. Serrato	W. Cook		
A2	04/27/18	ECO# 18-021	H. MA	C. Furumasa		

KLDVX-SMT-02-A-GP-TR

Power Jack, Vertical, SMT, RoHS Compliant

Ø2.0mm Center pin

