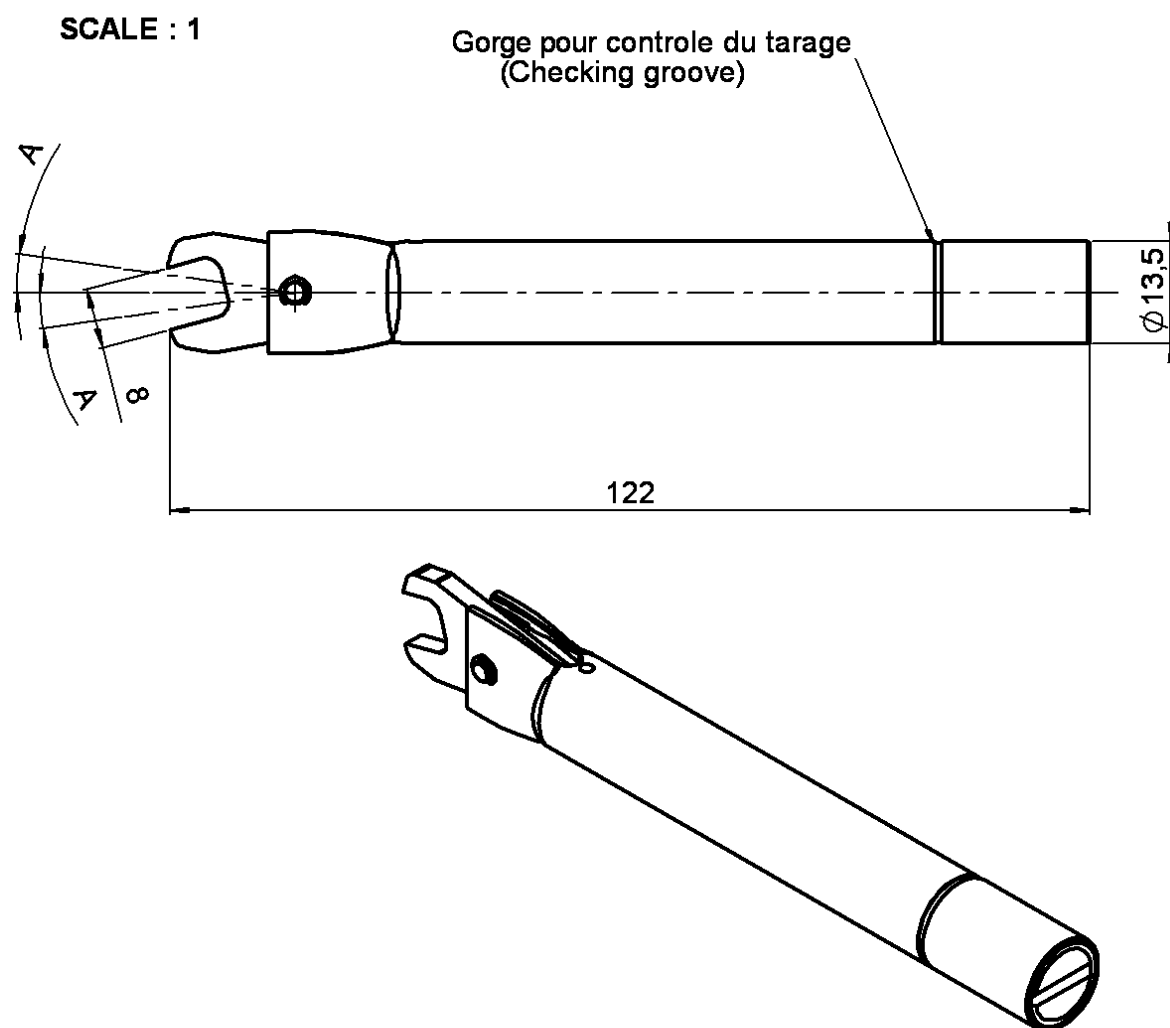


TORQUE SPANNER .315 Inch

R282.320.031

92 - 106Inch.oz

Series : OUT

**OPERATION**

The torque wrench is designed to automatically make a « click sound ».

The wrench will work the same in both directions.

Be careful : DO NOT APPLY PRESSURE to the wrench AFTER hearing the click sound, it will possibly damage the connector.

ENSURE PROPER TORQUE

Apply verification force at the groove level on the handle.

- Coupling torque 70Ncm +/- 5 Ncm
- A A' angular sweep approximately 8°

Issue : 0123 B

In the effort to improve our products, we reserve the right to make changes judged to be necessary.

