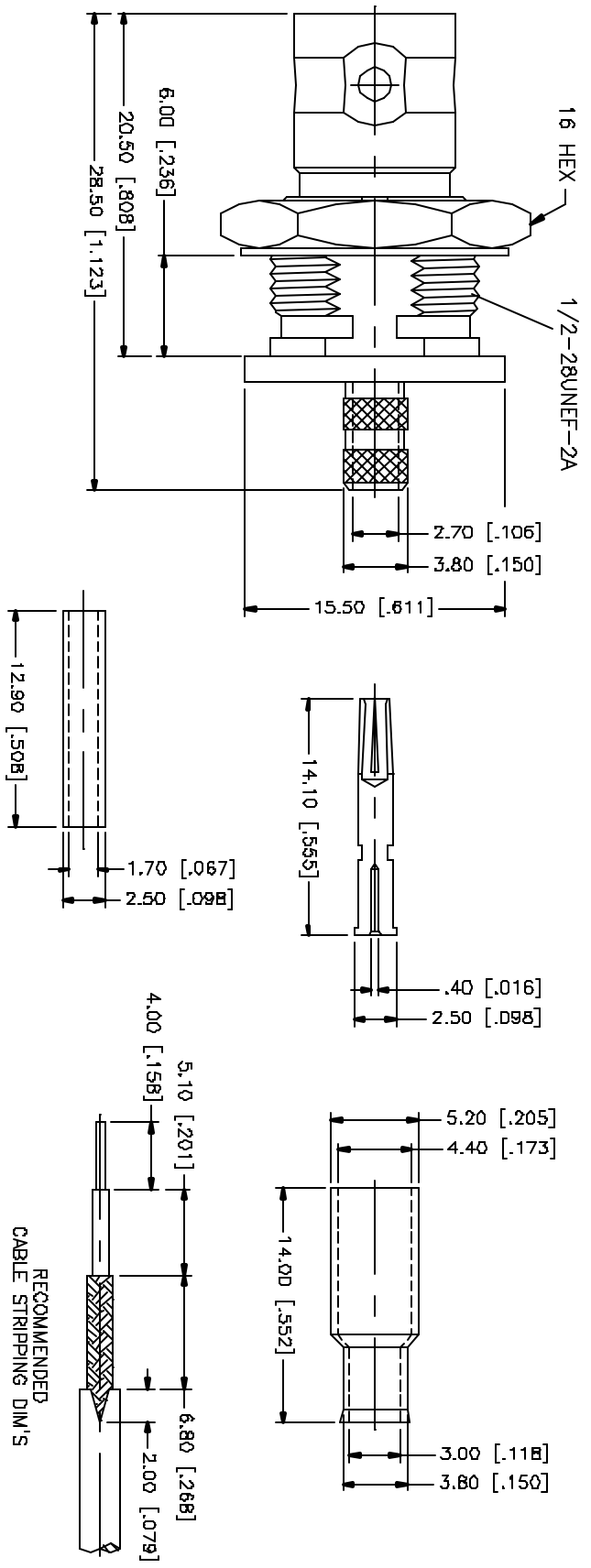
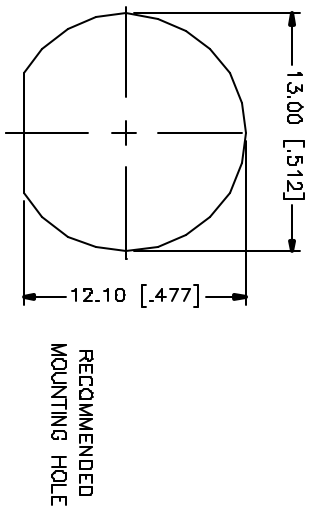


REV.	DATE	DESCRIPTION
A	03/08/05	UPDATE DRAWING FORMAT



QTY	FINISH	MATERIAL	DESCRIPTION
1	NICKEL	COPPER	FERRULE
1	NICKEL	BRASS	HEX NUT
1	NICKEL	BRASS	LOCK WASHER
1	GOLD	PHOS. BRONZE	CONTACT PIN
1	NATURAL	TEFLON	INSULATOR
1	NICKEL	DIE CAST	BODY

Amphenol Connex

**BNC BULKHEAD JACK (ISOLATED)
(FOR RG-179 CABLE - 75ohm)**

112253

112253.DWG

DATE: 03/08/05

DRAWN: G.R.S.

CHECKED: []

ASSEMBLED: []

SHEET: 1 OF 1

PART NO.: 112253

DWG NO.: 112253.DWG

REV: A

SIZE: A

SCALE: NA

APPROVALS: []

DATE: []

DATE FILE: C:/112/112253.DWG

DO NOT SCALE DRAWING

UNLESS OTHERWISE SPECIFIED, DIMENSIONS ARE IN MILLIMETERS (INCHES IN [] ARE IN INCHES AND FOR DATUMS RECOMMEND ONLY.)

UNLESS OTHERWISE SPECIFIED, DIMENSIONS ARE IN MILLIMETERS (INCHES IN [] ARE IN INCHES AND FOR DATUMS RECOMMEND ONLY.)

UNLESS OTHERWISE SPECIFIED, DIMENSIONS ARE IN MILLIMETERS (INCHES IN [] ARE IN INCHES AND FOR DATUMS RECOMMEND ONLY.)

UNLESS OTHERWISE SPECIFIED, DIMENSIONS ARE IN MILLIMETERS (INCHES IN [] ARE IN INCHES AND FOR DATUMS RECOMMEND ONLY.)