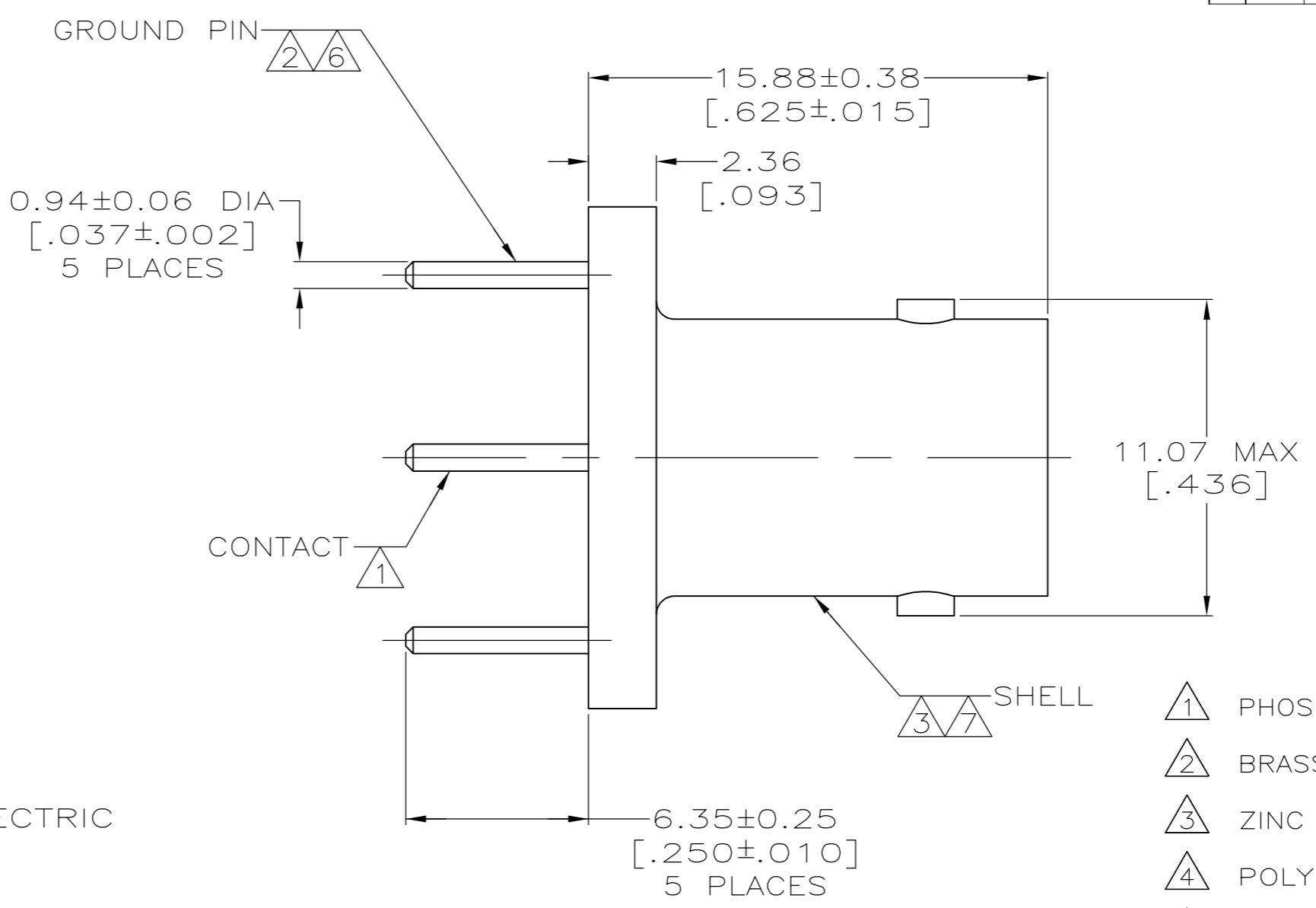
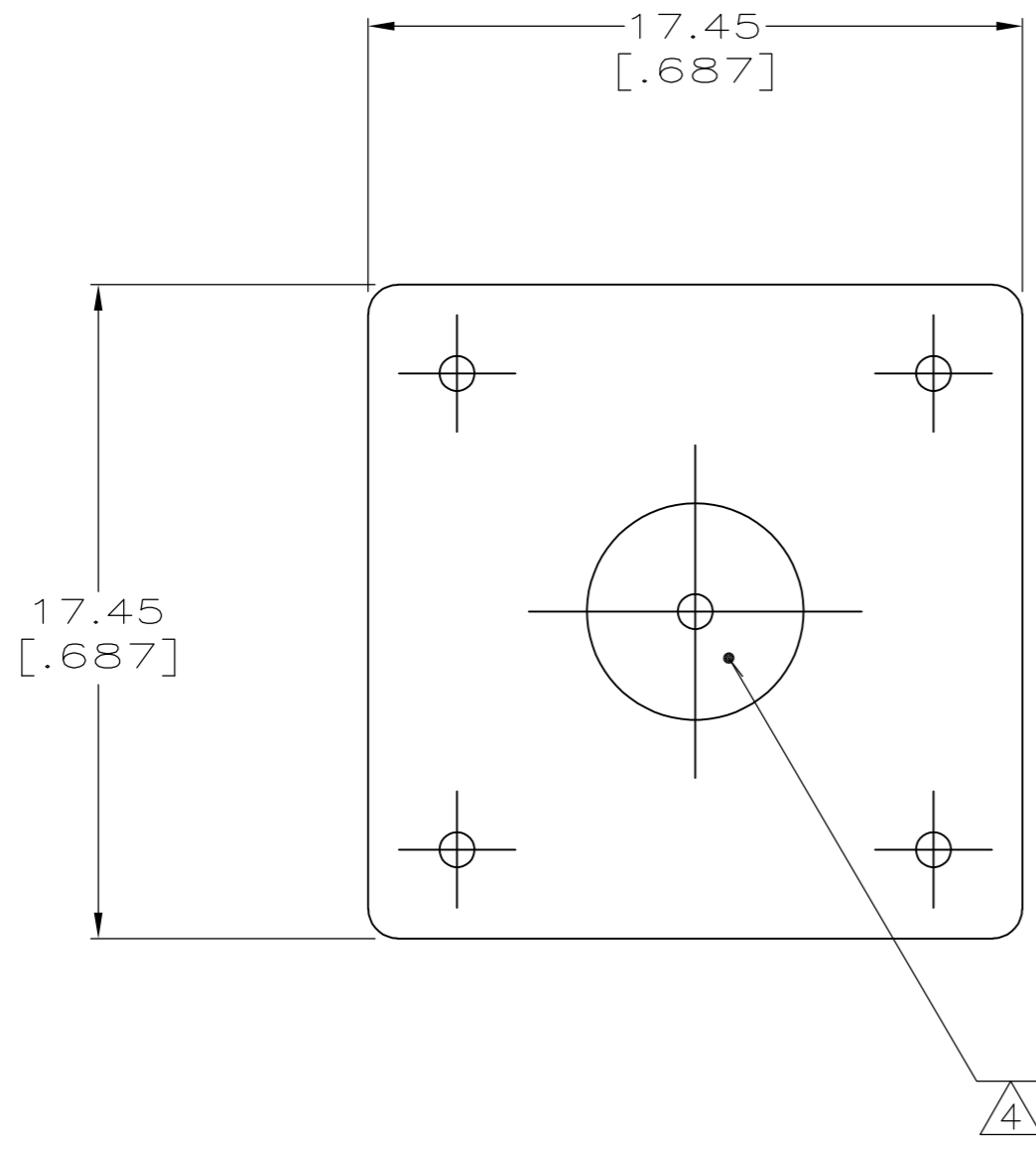
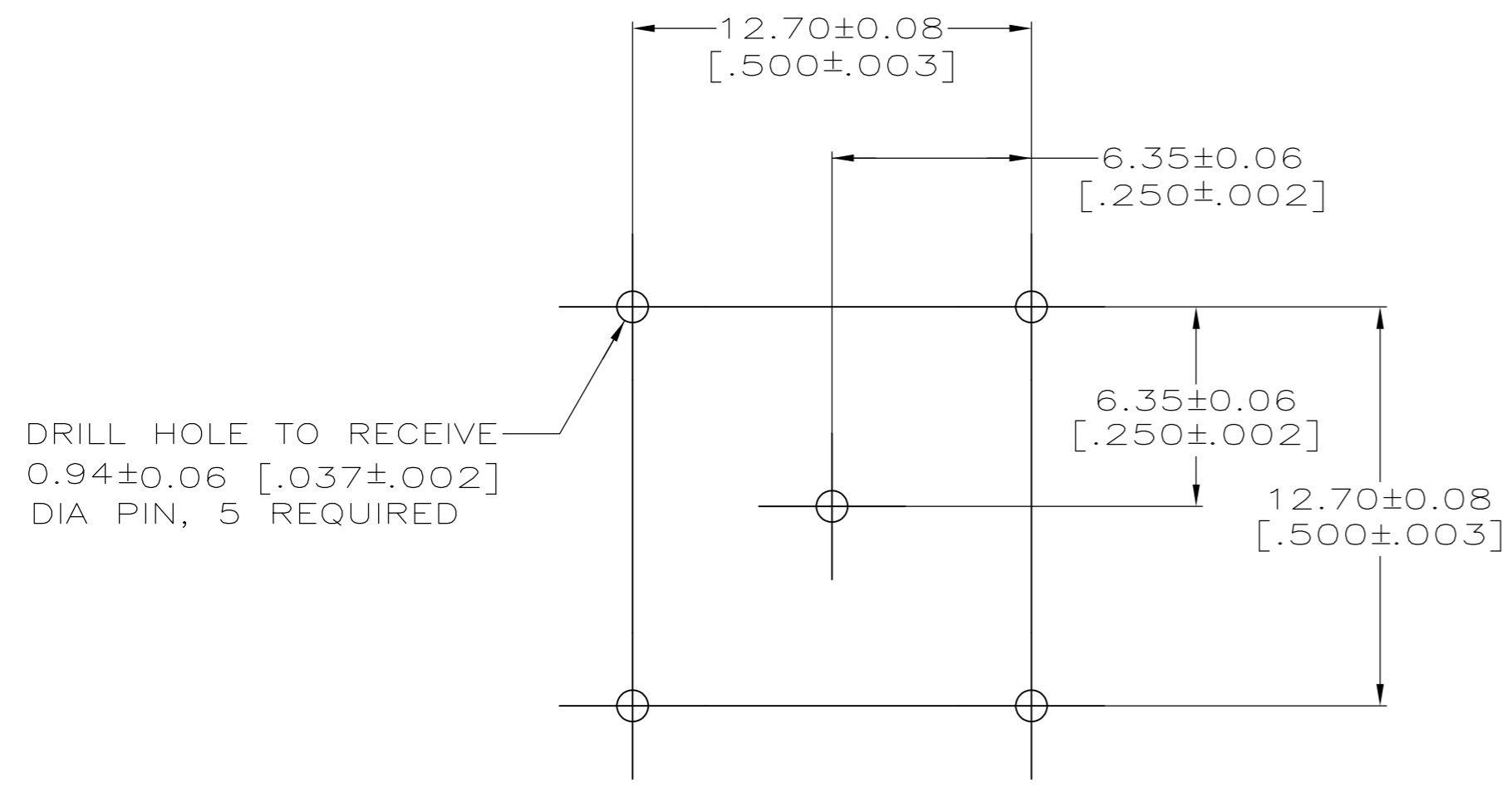


THIS DRAWING IS UNPUBLISHED. RELEASED FOR PUBLICATION  
 © COPYRIGHT - By - ALL RIGHTS RESERVED.

LOC		DIST		REVISIONS			
P	LTR	DESCRIPTION		DATE	DWN	APVD	
AJ	00	L2	REVISED PER ECO-11-005030	11MAR11	RK	HMR	



- ① PHOSPHOR BRONZE PER QQ-B-750.
- ② BRASS PER QQ-B-626.
- ③ ZINC PER QQ-Z-363.
- ④ POLYESTER, PBT, PER MIL-M-24519.
- ⑤ SILVER PLATE PER QQ-S-365  
2.54 μm [0.000100] MINIMUM THICK.
- ⑥ TIN PLATE PER ASTM-B-545  
2.54 μm [0.000100] MINIMUM THICK.
- ⑦ NICKEL PLATE PER QQ-N-290  
3.81 μm [0.000150] MINIMUM THICK.
- ⑧ GOLD PLATE PER MIL-G-45204,  
0.76 μm [0.000030] MINIMUM THICK.
- 9. SEE INSTRUCTION SHEET 408-9889.



SUGGESTED PCB CONFIGURATION

OBSOLETE	CONTACT FINISH	PART NUMBER
⑥	⑥	9-227699-0
⑧	⑧	227699-3
⑦	⑦	227699-2
⑤	⑤	227699-1

THIS DRAWING IS A CONTROLLED DOCUMENT.		DWN J. LIPPERT 2-14-92	<b>STE</b> TE Connectivity	
DIMENSIONS: INCHES		CHK A. GABANY 2-14-92		
TOLERANCES UNLESS OTHERWISE SPECIFIED:		APVD J. LIPPERT 02-14-92	NAME JACK, 50 OHM, VERTICAL, PCB, BNC	
0 PLC ± -		PRODUCT SPEC 108-12078	SIZE A2	
1 PLC ± -		APPLICATION SPEC	CAGE CODE 00779	DRAWING NO C-227699
2 PLC ± 0.20 [0.008]		WEIGHT -	RESTRICTED TO -	SCALE 5:1
3 PLC ± -		MATERIAL ①②③④	SHEET 1 of 1	REV L2
4 PLC ± -		FINISH ⑤⑥⑦⑧⑨⑩	CUSTOMER DRAWING	
ANGLES ± -				