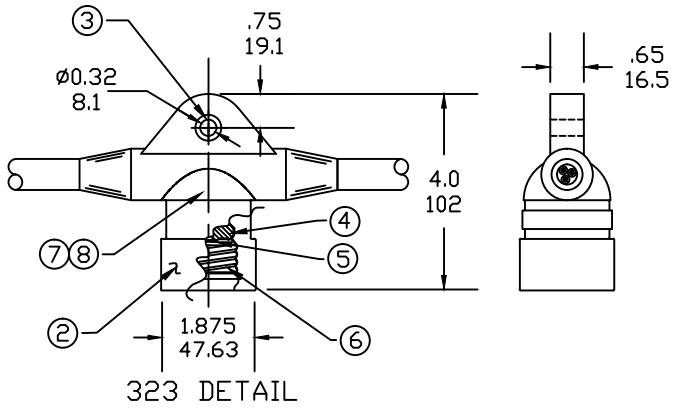
 [QTY-55] 323 MOLDED SOCKETS  
CORD #12/3 SOW BLACK



ITEM	DESCRIPTION	MATERIAL
1	#12-3 BLACK CABLE	SOOW/COPPER
2	MOLDED SOCKETS BLACK	NITRILE/PVC
3	EYELET	BRASS
4	BUTTON WHITE	PORCELAIN
5	RIVET	BRASS
6	SCREWSHELL	COOPER
7	1 CONDUCTOR WIRE BLACK	NEOPRENE
8	1 CONDUCTOR WIRE WHITE	NEOPRENE

CUSTOMER APPROVAL DRAWING EC NO: IPC2013-0082 DRWN: HKNEELAN 2012/07/18 CHKD: HKNEELAN APPR: DTITUS 2012/08/03	DESCRIPTION REV A	QUALITY SYMBOLS ▽=0 ▽C=0	GENERAL TOLERANCES (UNLESS SPECIFIED)		DIMENSION STYLE INCH		SCALE NTS	DESIGN UNITS INCH	THIRD ANGLE PROJECTION	
		4 PLACES ±--- ±--- 3 PLACES ±--- ±--- 2 PLACES ±0.05 ±--- 1 PLACE ±0.10 ±---	mm INCH ±--- ±--- ±0.05 ±--- ±0.10 ±---	DRAWN BY HKNEELAN	DATE 2012/07/18	TITLE STRINGLIGHT 69.5 ALL BLK (55) 323 SCKTS, 1' SPNGS 15' LDR AND 6" TAIL				
		ANGULAR ±.5°		CHECKED BY HKNEELAN	DATE 2012/07/18	APPROVED BY DTITUS		DATE 2012/08/03	MOLEX INCORPORATED	
		DRAFT WHERE APPLICABLE MUST REMAIN WITHIN DIMENSIONS		MATERIAL NO. 1301060174	DOCUMENT NO. SD-130106-034	SHEET NO. 1 OF 1				

THIS DRAWING CONTAINS INFORMATION THAT IS PROPRIETARY TO MOLEX INCORPORATED AND SHOULD NOT BE USED WITHOUT WRITTEN PERMISSION