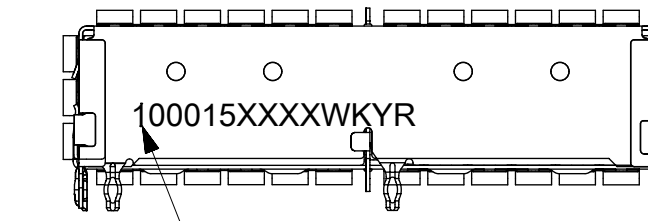
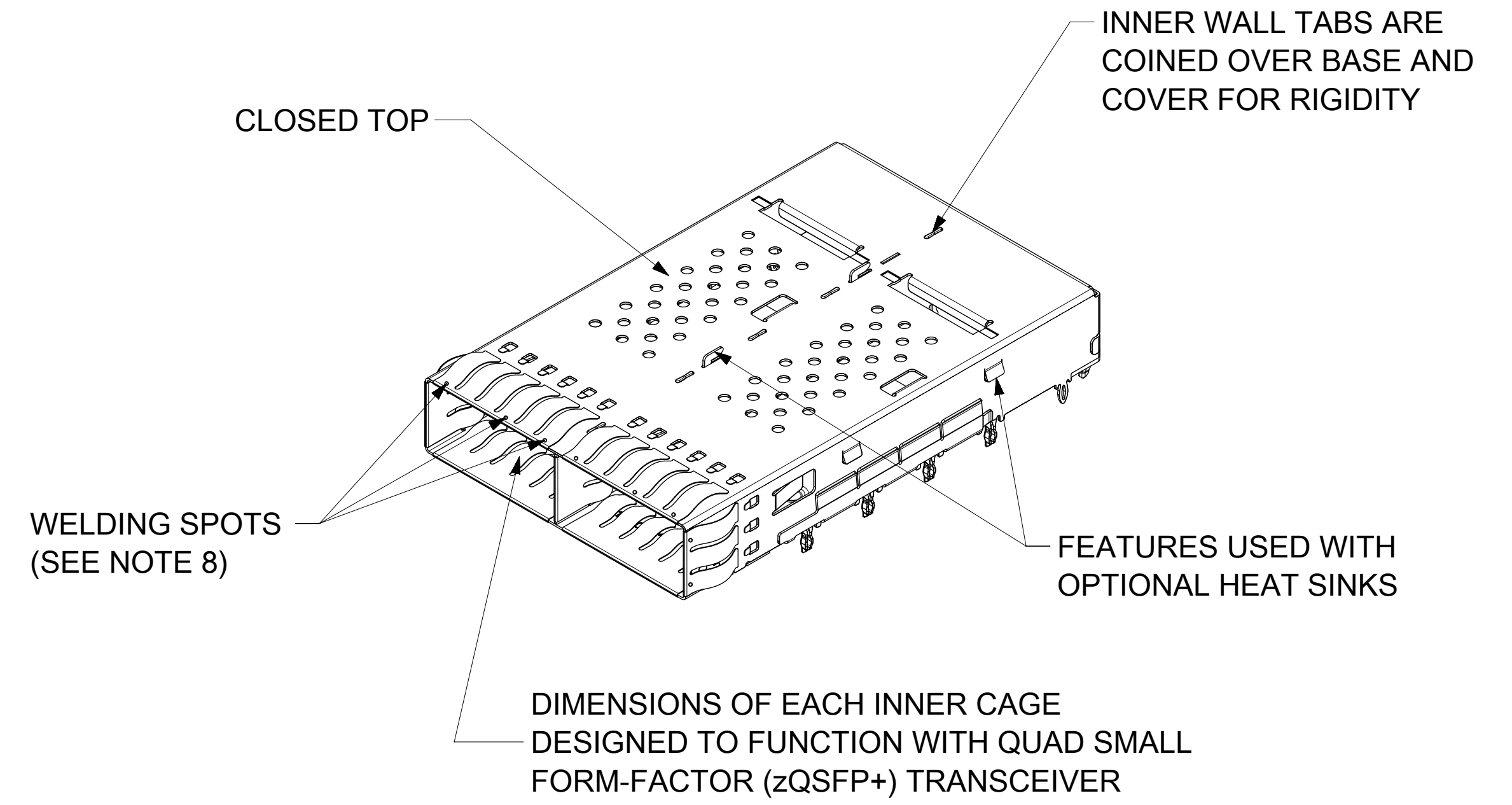
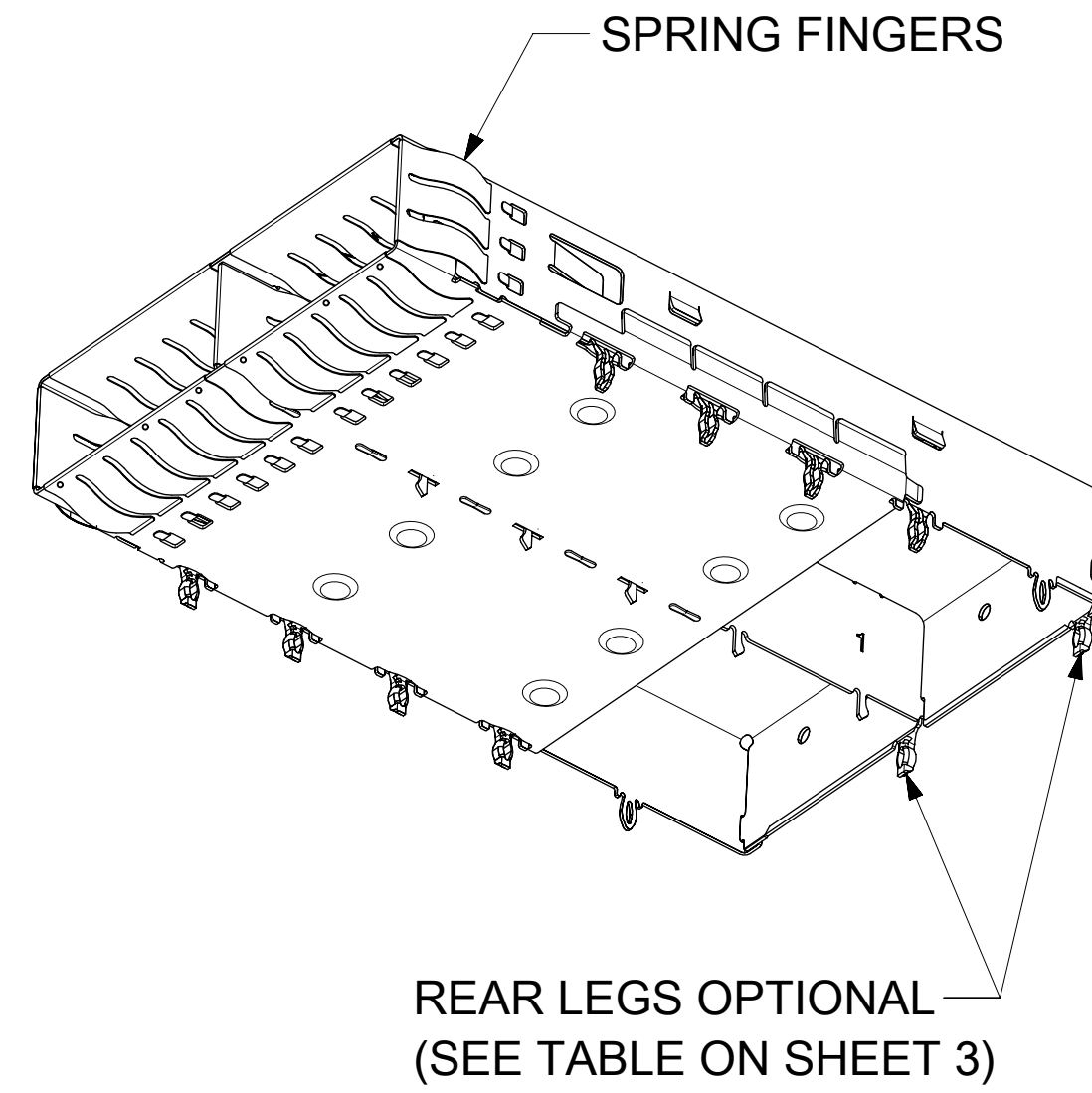
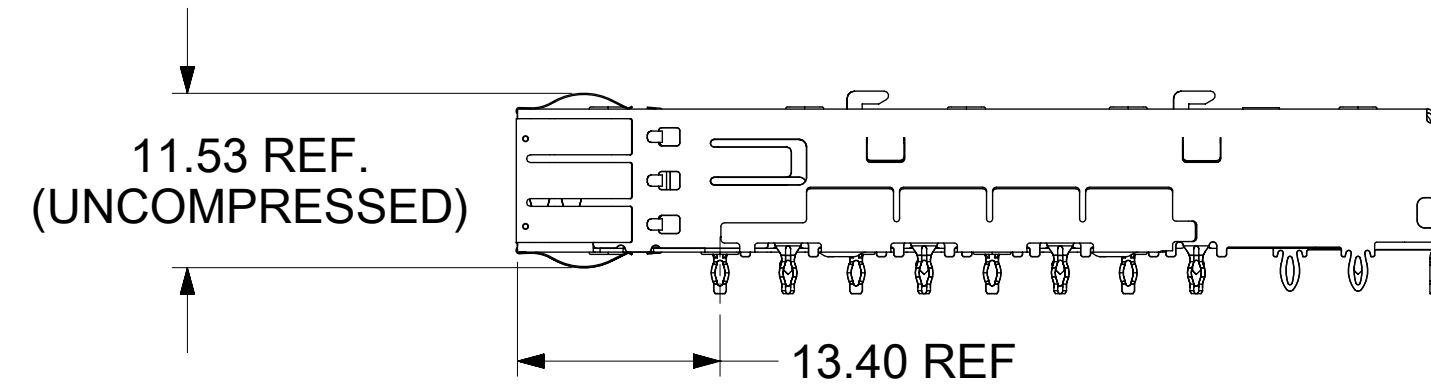
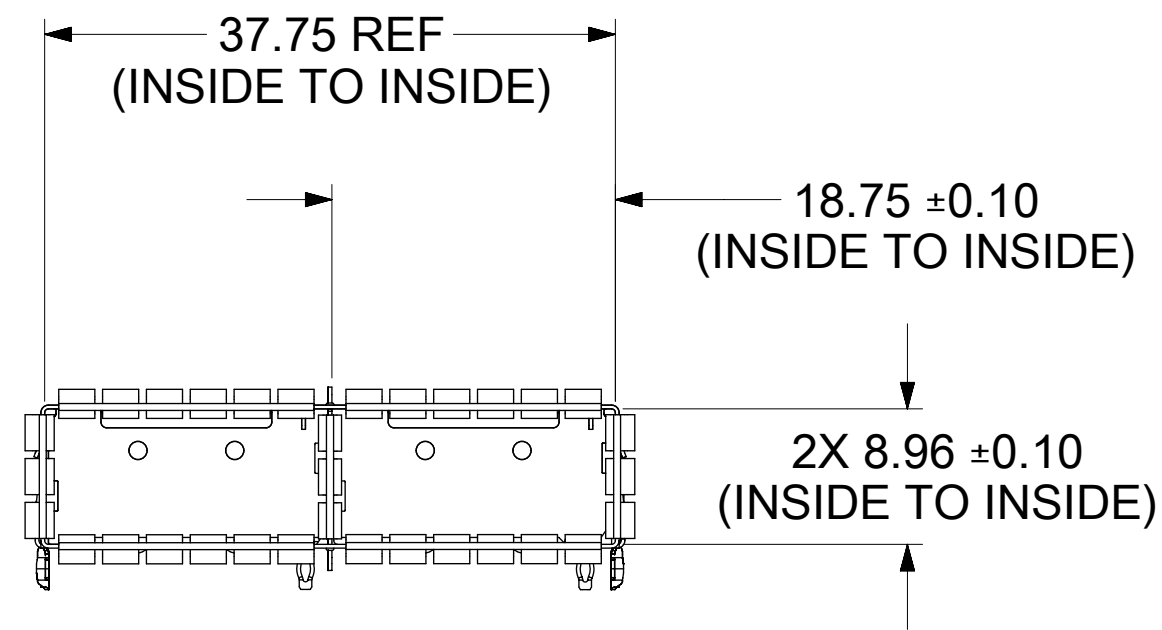
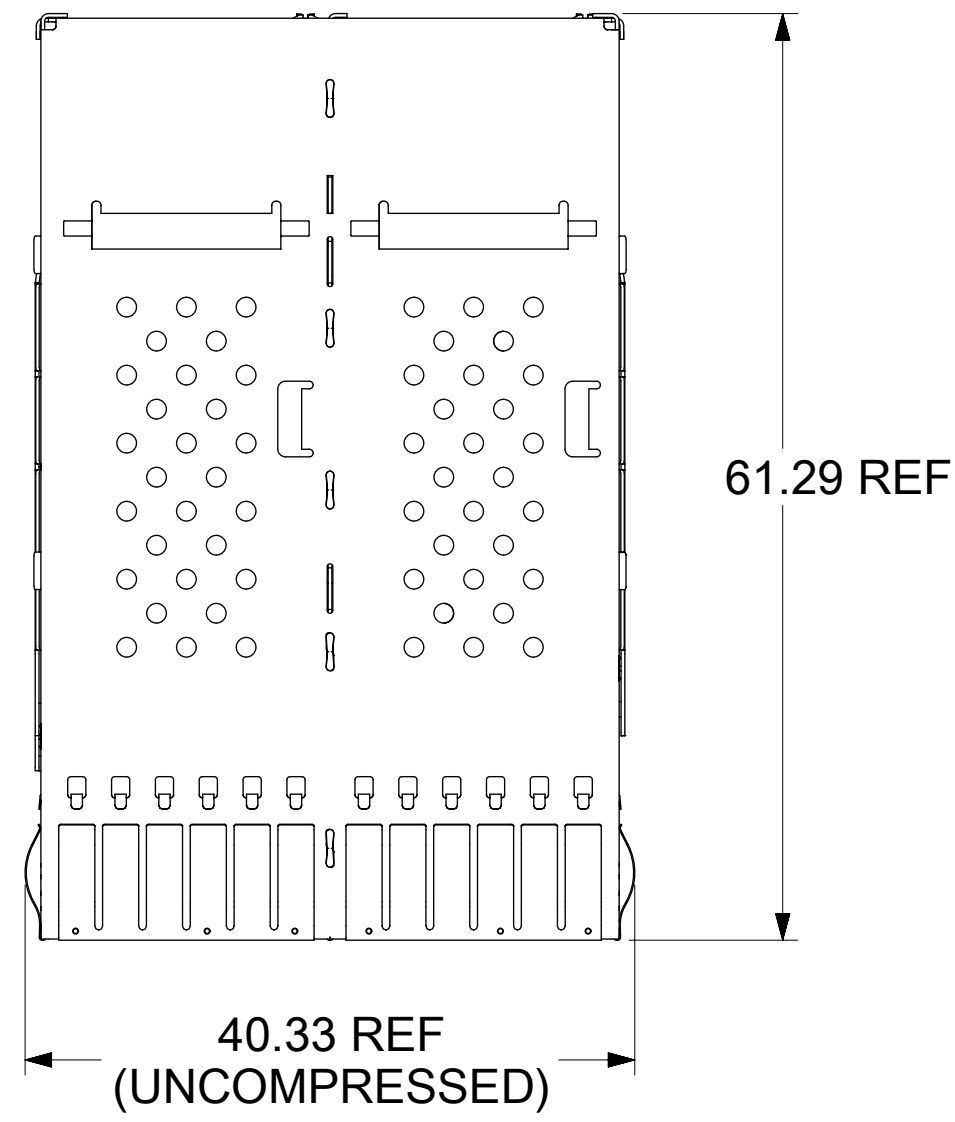


BASIC CAGE DETAILS

1000159242 SHOWN



P/N AND WEEK/YEAR DATE CODE TO BE PRINTED ON BACK OF COMPLETED CAGE ASSEMBLY APPROXIMATELY AS SHOWN. SEE TABLE BELOW FOR DATE CODE INFORMATION.

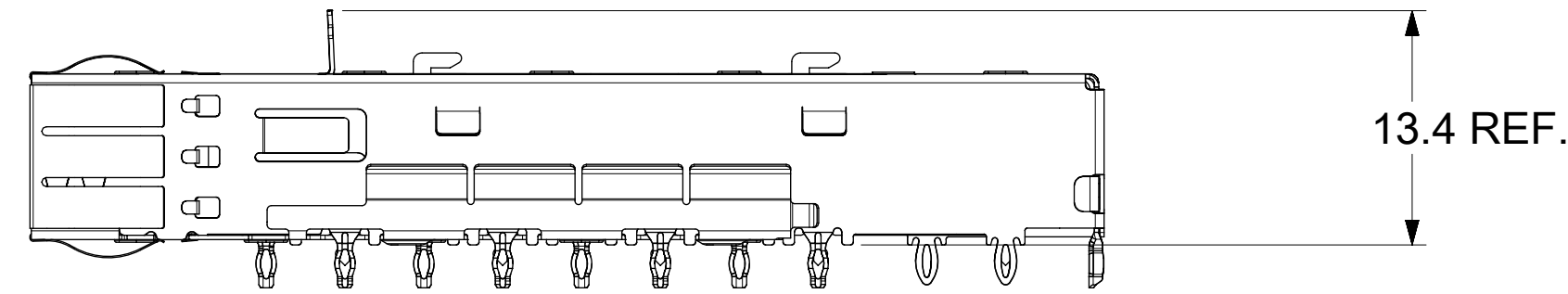
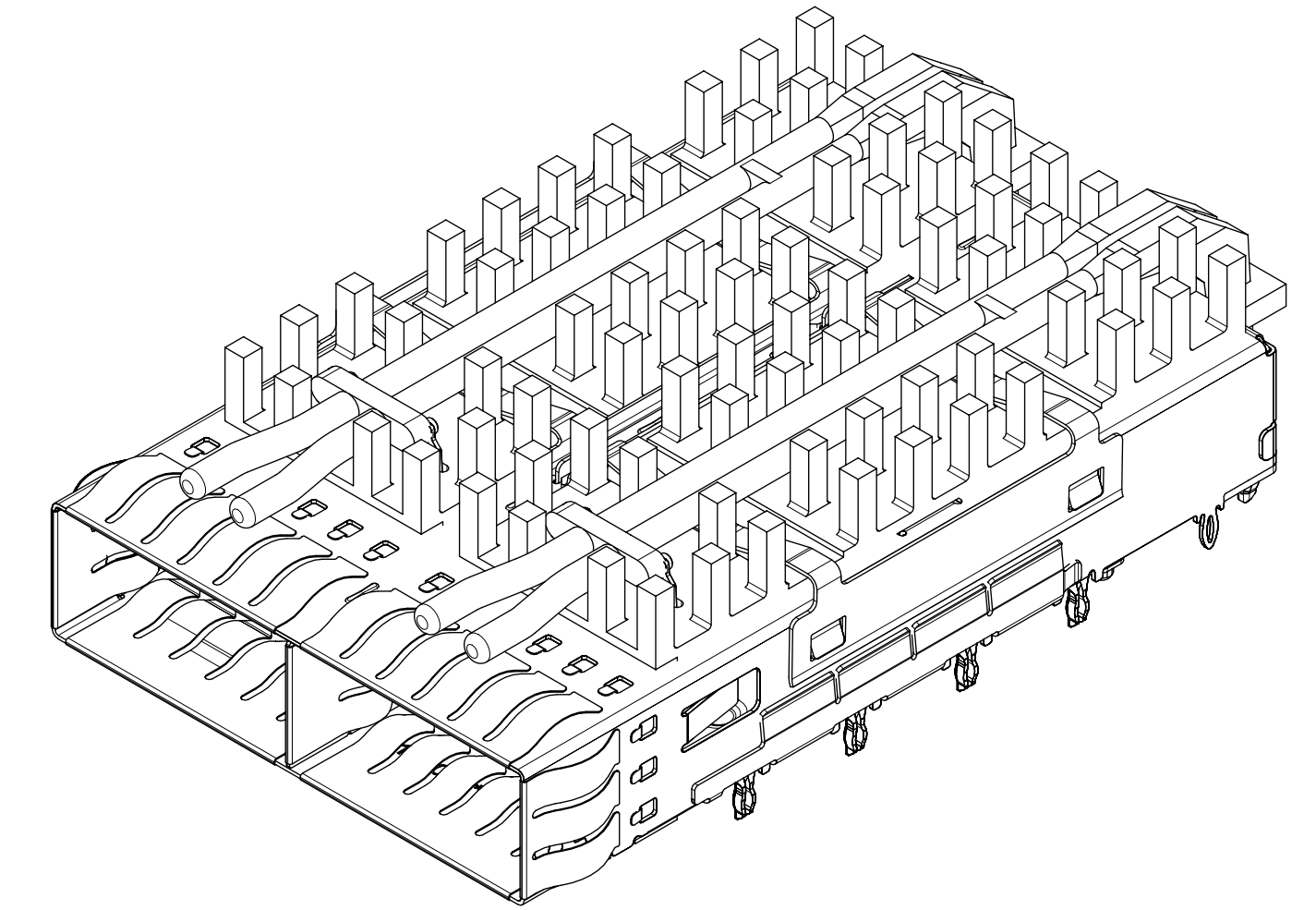
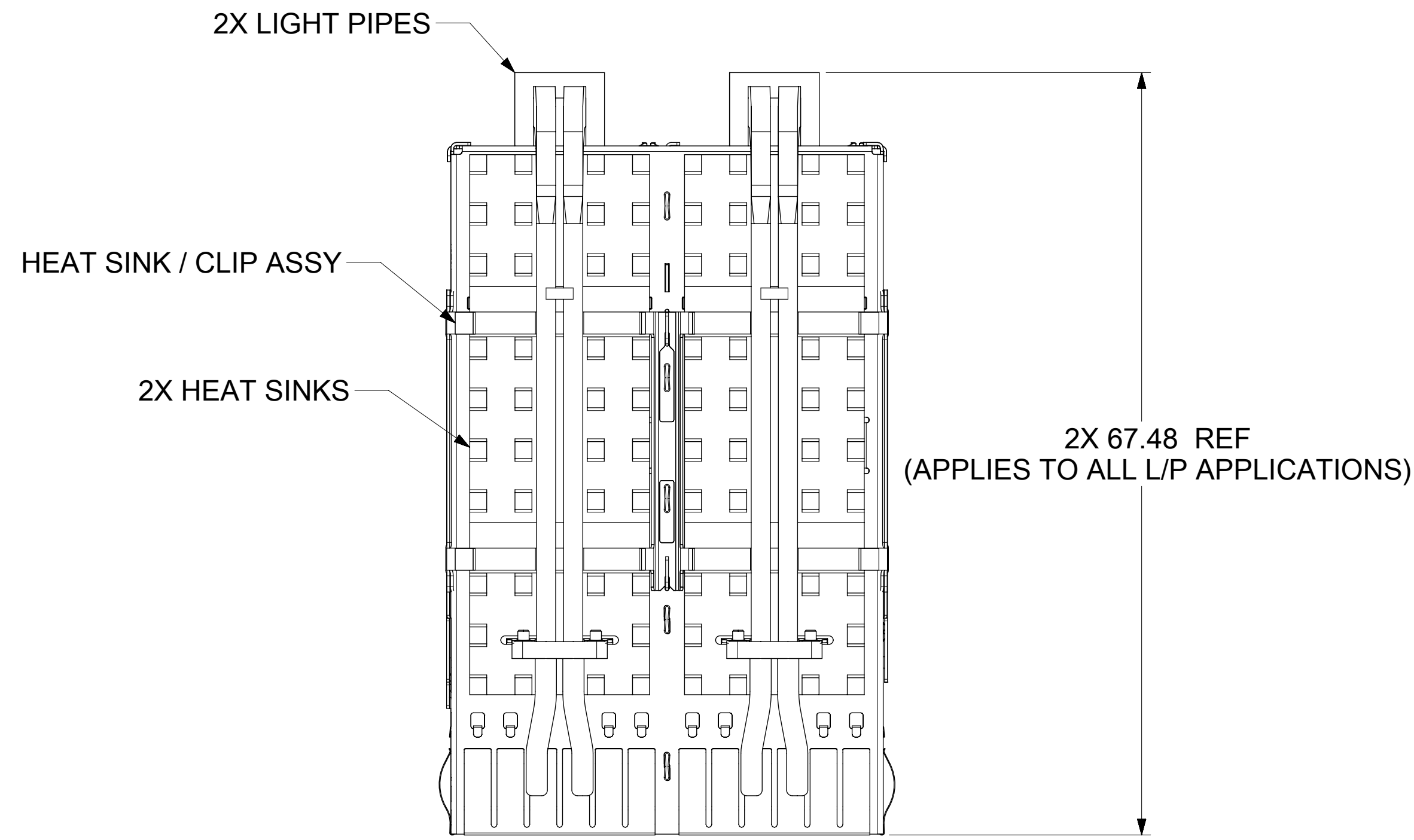
- NOTES:
- MATERIAL: CAGE: STAINLESS STEEL
 CENTER WALLS: STAINLESS STEEL
 SPRING FINGERS: STAINLESS STEEL
 HEAT SINKS: NICKEL PLATED ALUMINUM
 HEAT SINK CLIP: STAINLESS STEEL
 LIGHT PIPES: POLYCARBONATE (UL 94V-0)
 - DRAWING APPLIES TO ALL P/N'S SHOWN ON PAGE 3
 - DURING FINAL INSPECTION, CAGE LEG LOCATIONS AND STRAIGHTNESS MUST BE CHECKED USING APPROPRIATE GO - NO GO GAGE
 - DURING FINAL INSPECTION, CAGE MUST BE INSPECTED TO MAKE SURE LEG CONFIGURATIONS AND PART NUMBERS ARE CORRECT, USE SHEETS 3, 4 AND 5
 - PARTS TO BE INSPECTED PER MOLEX COSMETIC SPEC WI-HP-7-2774 (CLASS B UNLESS OTHERWISE SPECIFIED)
 - PRESS-FIT LEGS 2.44 LONG -
 1.57 MINIMUM PCB THICKNESS FOR SINGLE SIDED USE.
 2.70 MINIMUM PCB THICKNESS FOR BELLY TO BELLY USE.
 - NO RoHS EXEMPTIONS
 - WELD SPOTS MAY SHOW SLIGHT MATERIAL DISCOLORATION

WEEK/YEAR DATE CODE TABLE	
WK	WEEK OF THE YEAR 01 THRU 52 (EXAMPLE: 01= FIRST WEEK OF YEAR 52= LAST WEEK OF YEAR)
YR	22, 23, 24 ETC.. (EXAMPLE: YEAR 2022= 22)

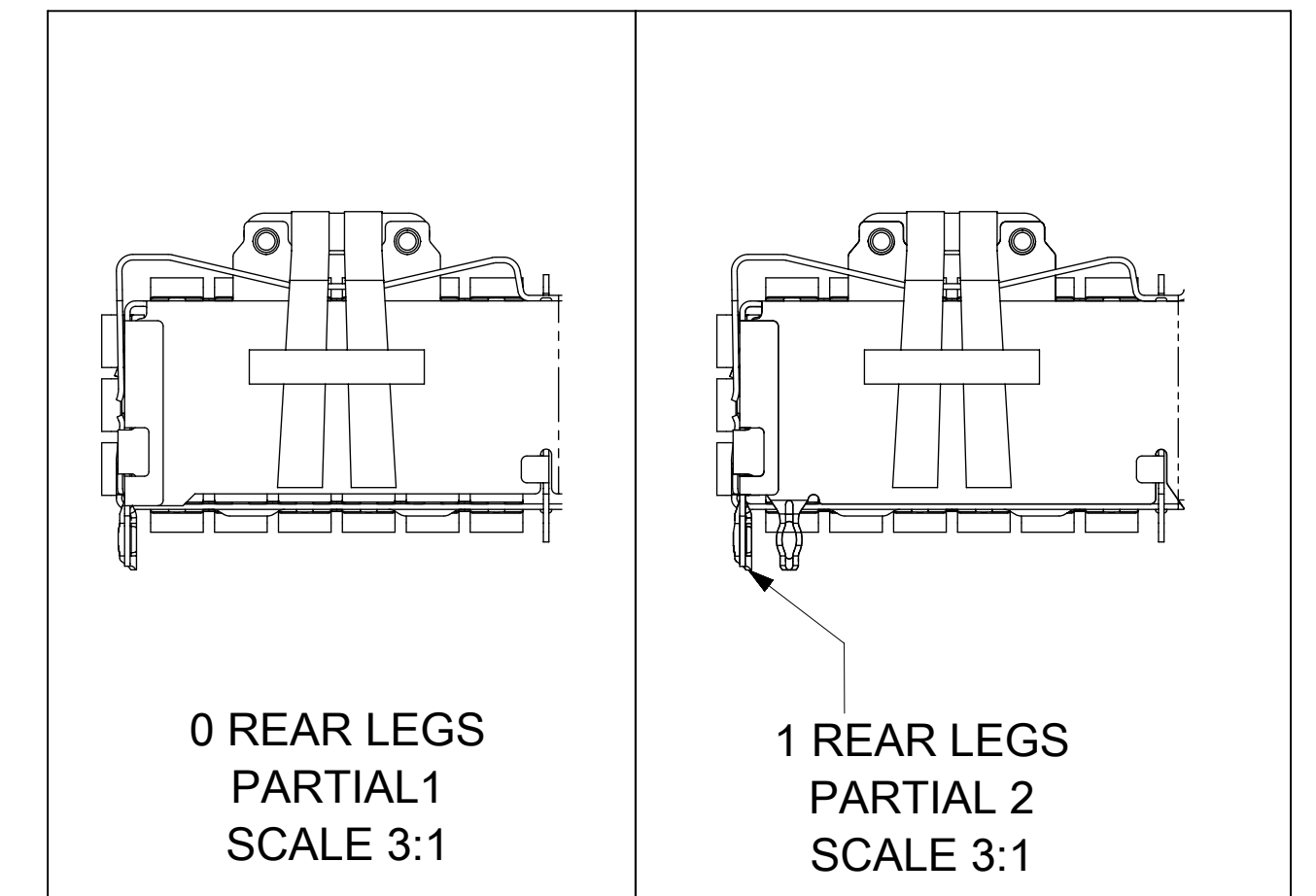
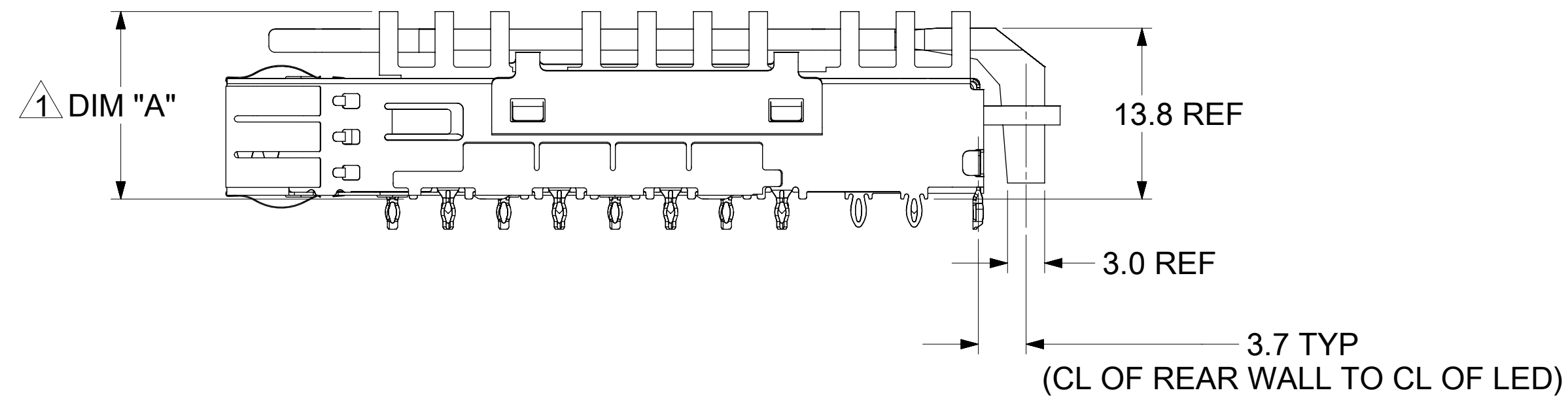
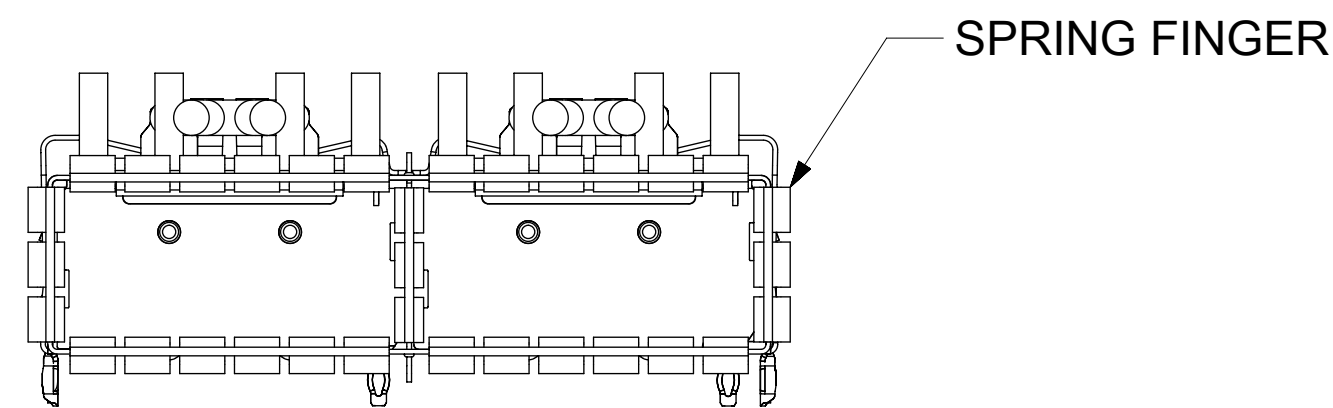
THIS DRAWING CONTAINS INFORMATION THAT IS PROPRIETARY TO MOLEX ELECTRONIC TECHNOLOGIES, LLC AND SHOULD NOT BE USED WITHOUT WRITTEN PERMISSION											
FUNCTIONAL SYMBOLS	DIMENSION UNITS	SCALE	CURRENT REV DESC: SEE REV TABLE								
$F_A = 0$	mm	2:1	EC NO: 698869 DRWN: VISHNM2 2022/02/17 CHK'D: TKUMARKC 2022/03/16 APPR: JCHIANG 2022/03/21 INITIAL REVISION: DRWN: VISHNM2 2022/02/17 APPR: JCHIANG 2022/03/21								
$F_C = 0$	GENERAL TOLERANCES (UNLESS SPECIFIED)										
$F_P = 0$	ANGULAR TOL $\pm 2.0^\circ$										
DIVISIONAL SYMBOLS	4 PLACES	\pm									
	3 PLACES	\pm									
	2 PLACES	± 0.13	PRODUCT CUSTOMER DRAWING DOCUMENT NUMBER: 1000153200 DOC TYPE: PSD DOC PART: ASY REVISION: A								
	1 PLACE	± 0.25	MATERIAL NUMBER: SEE P/N TABLE CUSTOMER: GENERAL MARKET SHEET NUMBER: 1 OF 7								
	0 PLACES	\pm									
DRAFT WHERE APPLICABLE MUST REMAIN WITHIN DIMENSIONS			THIRD ANGLE PROJECTION	DRAWING	SERIES						
				D-SIZE	100015						

CAGE ASSEMBLY OPTIONS

1000159544 SHOWN



REAR LEG OPTIONS

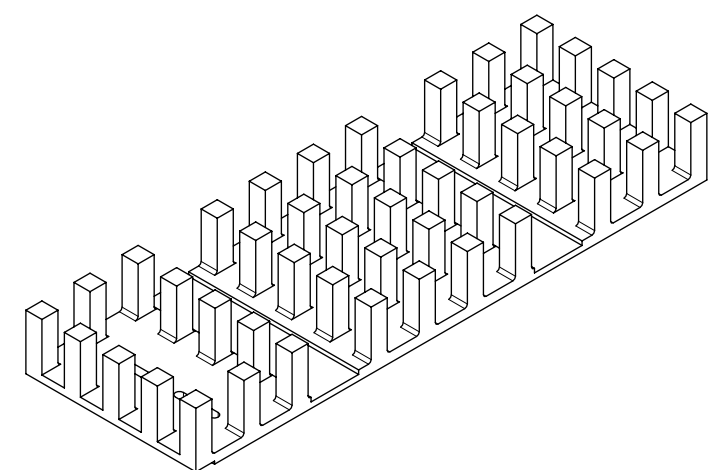


HEATSINK HEIGHT OPTIONS

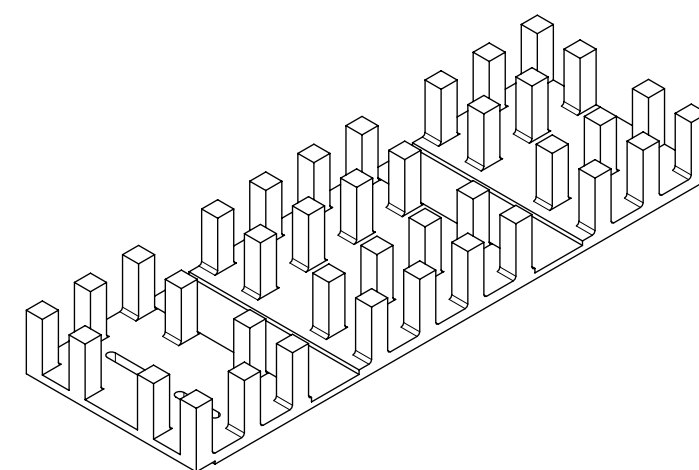
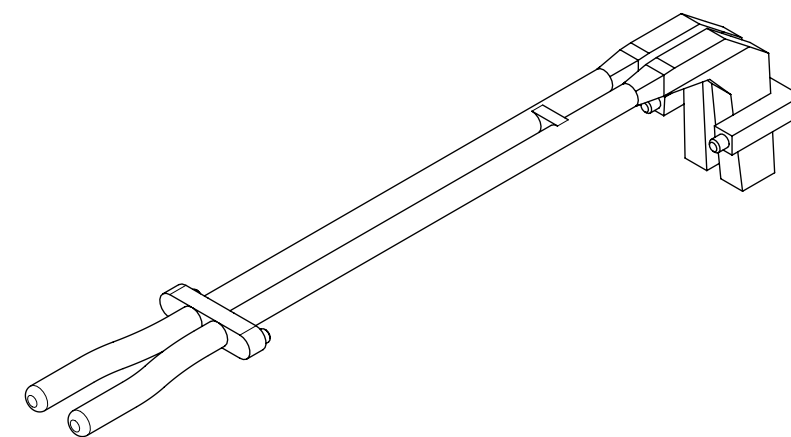
OVERALL HEAT SINK HEIGHT	DIM "A"
PCI	13.7 REF
SAN	16.0 REF
NET	23.0 REF

NOTE:
 ▲ HEIGHT OF HEAT SINK WITH MODULE INSERTED.
 DIMENSION MAY BE LESS DUE TO MODULE AND HEAT SINK VARIATIONS

HEATSINK USED WITHOUT LIGHTPIPE

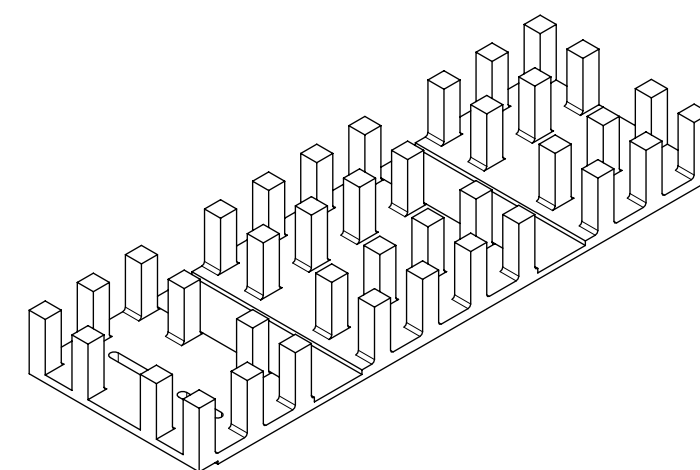
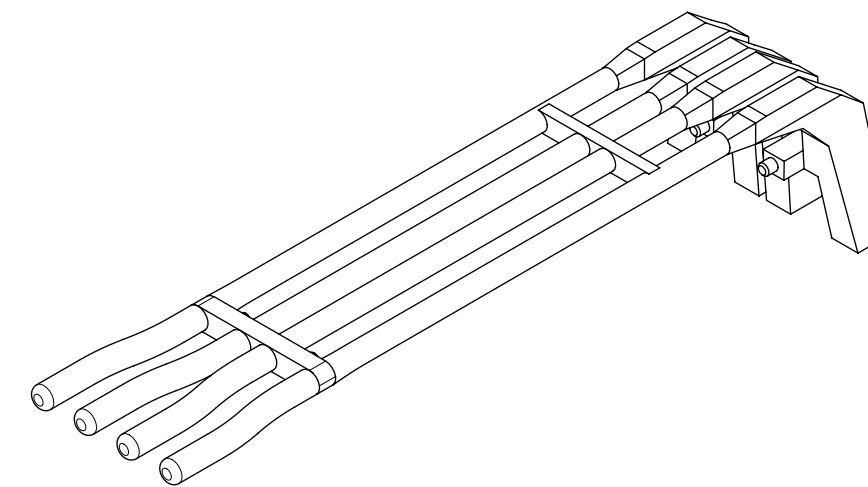


DUAL LIGHT PIPE



HEATSINK

QUAD LIGHT PIPE



HEATSINK

FUNCTIONAL SYMBOLS FA = 0 FE = 0 FP = 0 DIVISIONAL SYMBOLS	THIS DRAWING CONTAINS INFORMATION THAT IS PROPRIETARY TO MOLEX ELECTRONIC TECHNOLOGIES, LLC AND SHOULD NOT BE USED WITHOUT WRITTEN PERMISSION		CURRENT REV DESC: SEE REV TABLE	
	DIMENSION UNITS	SCALE	EC NO: 698869	
	mm	2:1	DRWN: VISHNM2	2022/02/17
	GENERAL TOLERANCES (UNLESS SPECIFIED)		CHK'D: TKUMARKC	2022/03/16
ANGULAR TOL ± 2.0°		APPR: JCHIANG	2022/03/21	
4 PLACES ±		INITIAL REVISION:		
3 PLACES ±		DRWN: VISHNM2	2022/02/17	
2 PLACES ± 0.13		APPR: JCHIANG	2022/03/21	
1 PLACE ± 0.25		THIRD ANGLE PROJECTION		
0 PLACES ±		DRAWING	SERIES	
DRAFT WHERE APPLICABLE MUST REMAIN WITHIN DIMENSIONS		D-SIZE	100015	
DOCUMENT NUMBER		CUSTOMER	SHEET NUMBER	
1000153200		GENERAL MARKET	2 OF 7	

molex

ZQSFP+ 1X2 GANGED CAGE
 ASSY'S W/ SS TAB TYPE SPRING FINGER, H/S & L/P
 OPTIONS

PRODUCT CUSTOMER DRAWING

DOCUMENT NUMBER DOC TYPE DOC PART REVISION

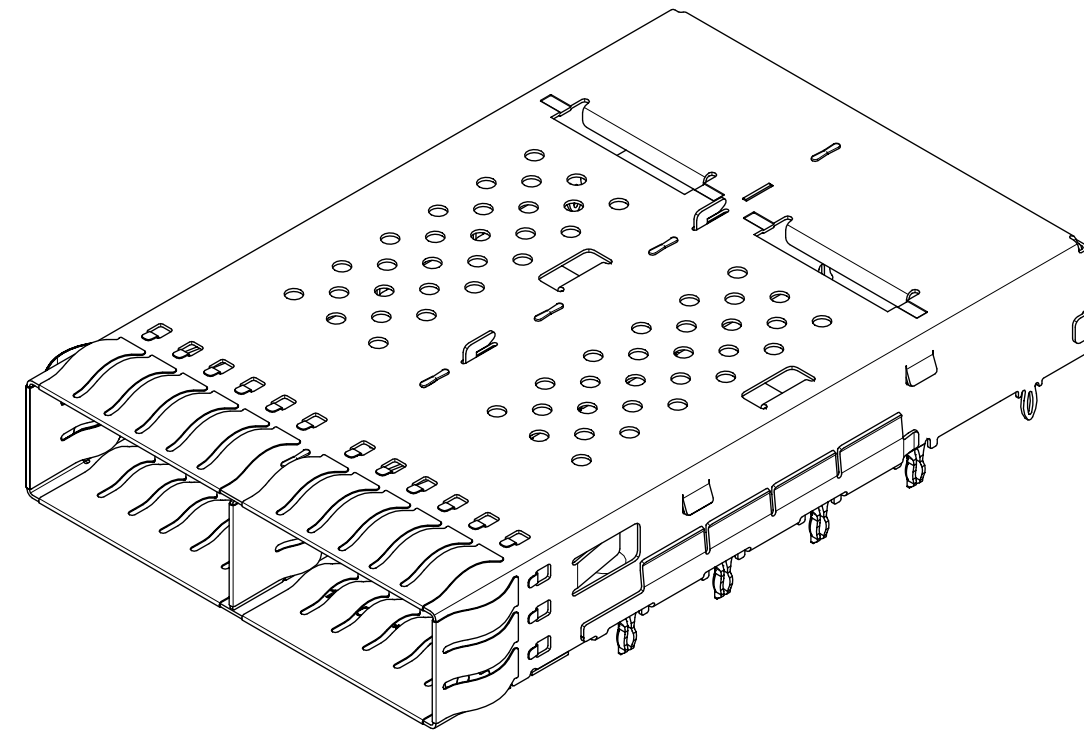
1000153200 PSD ASY A

MATERIAL NUMBER CUSTOMER SHEET NUMBER

SEE P/N TABLE GENERAL MARKET 2 OF 7

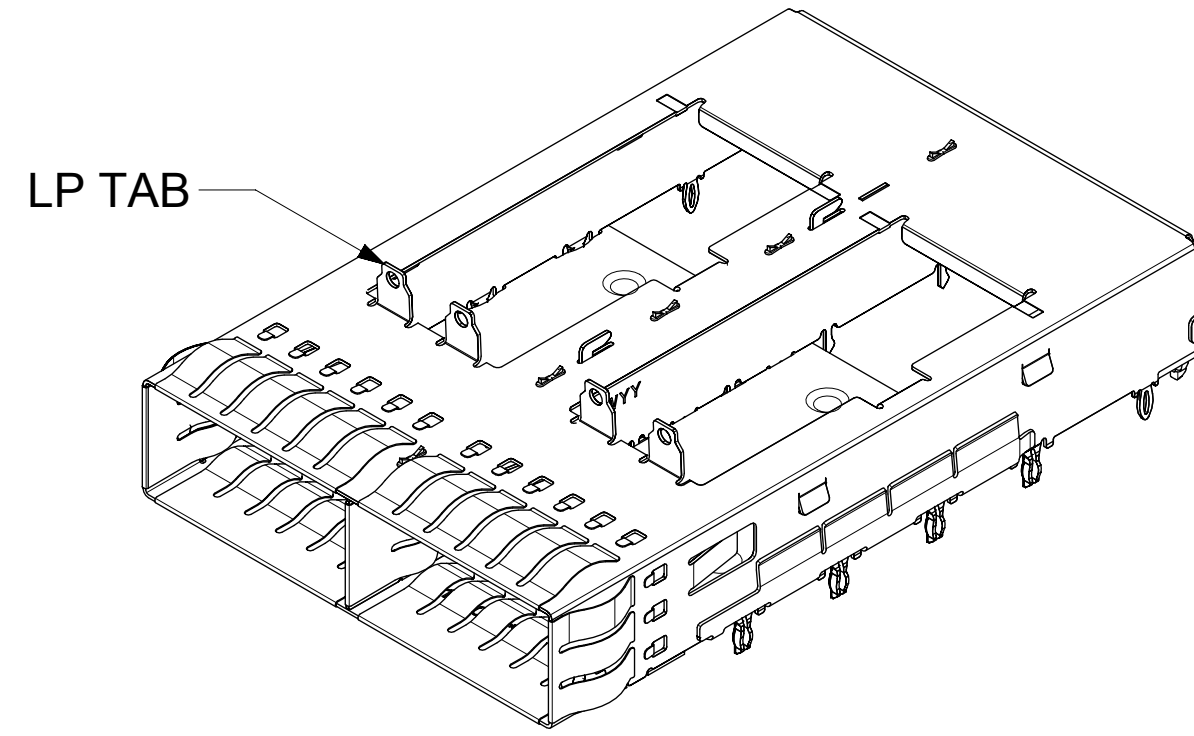
PART NUMBER SELECTION

NO HEATSINKS
NO LIGHT PIPES
CLOSED TOP



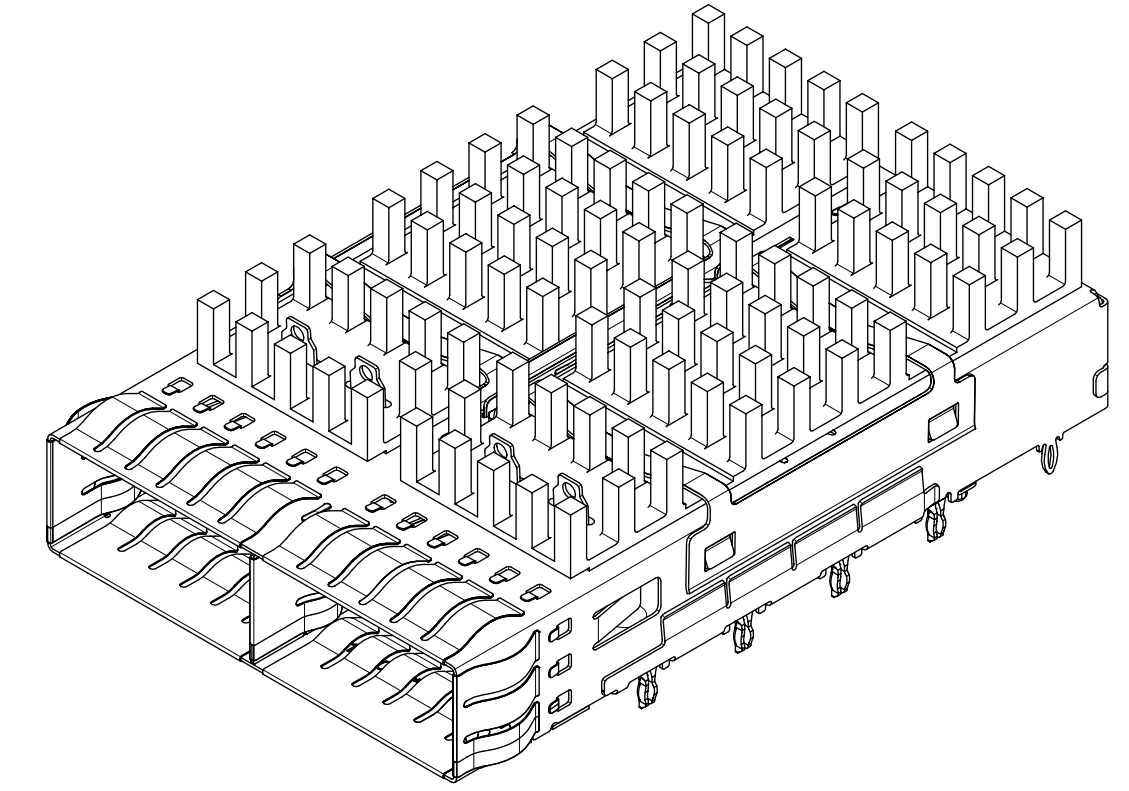
MOLEX P/N W/ SPRING FINGERS	#OF REAR LEGS PER PORT
1000159242	1

NO HEATSINKS
NO LIGHT PIPES
OPEN TOP



MOLEX P/N W/ SPRING FINGERS	#OF REAR LEGS PER PORT	LP TAB
1000159250	0	YES
1000153252	1	YES

WITH HEATSINKS
NO LIGHT PIPES

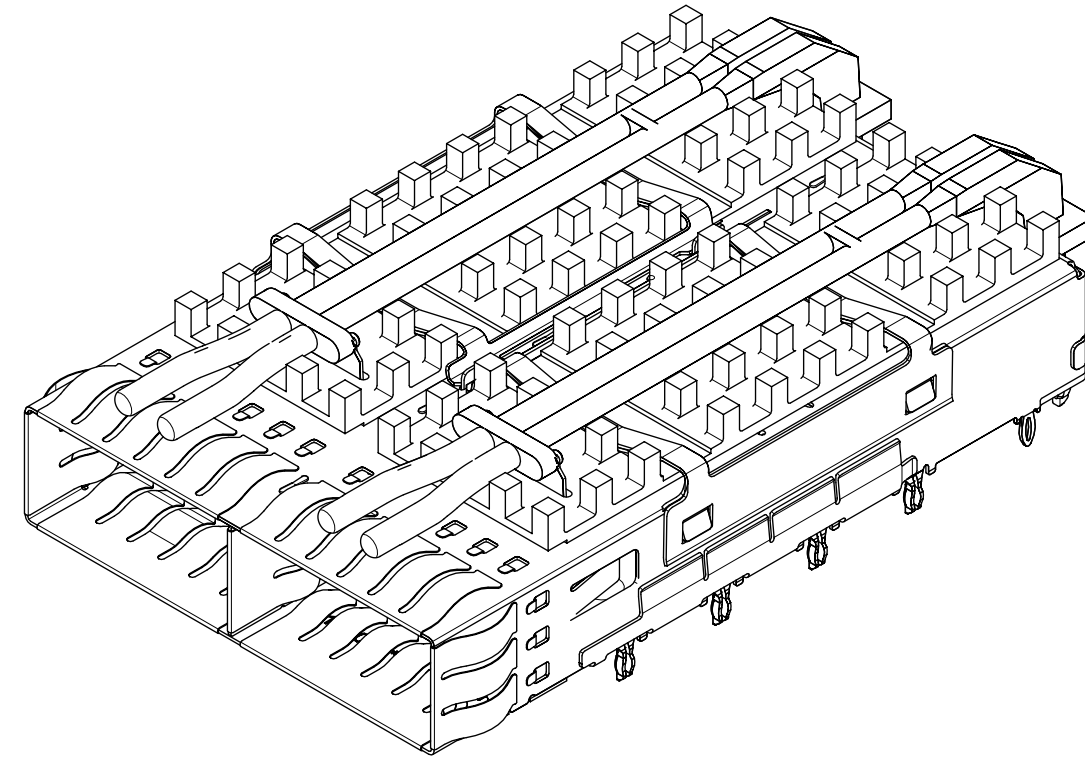


MOLEX P/N	HEAT SINK	#OF REAR LEGS PER PORT
1000153340	PCI	0
1000159341	SAN	0
1000159242	NET	0
1000153343	PCI	1
1000153344	SAN	1
1000153345	NET	1

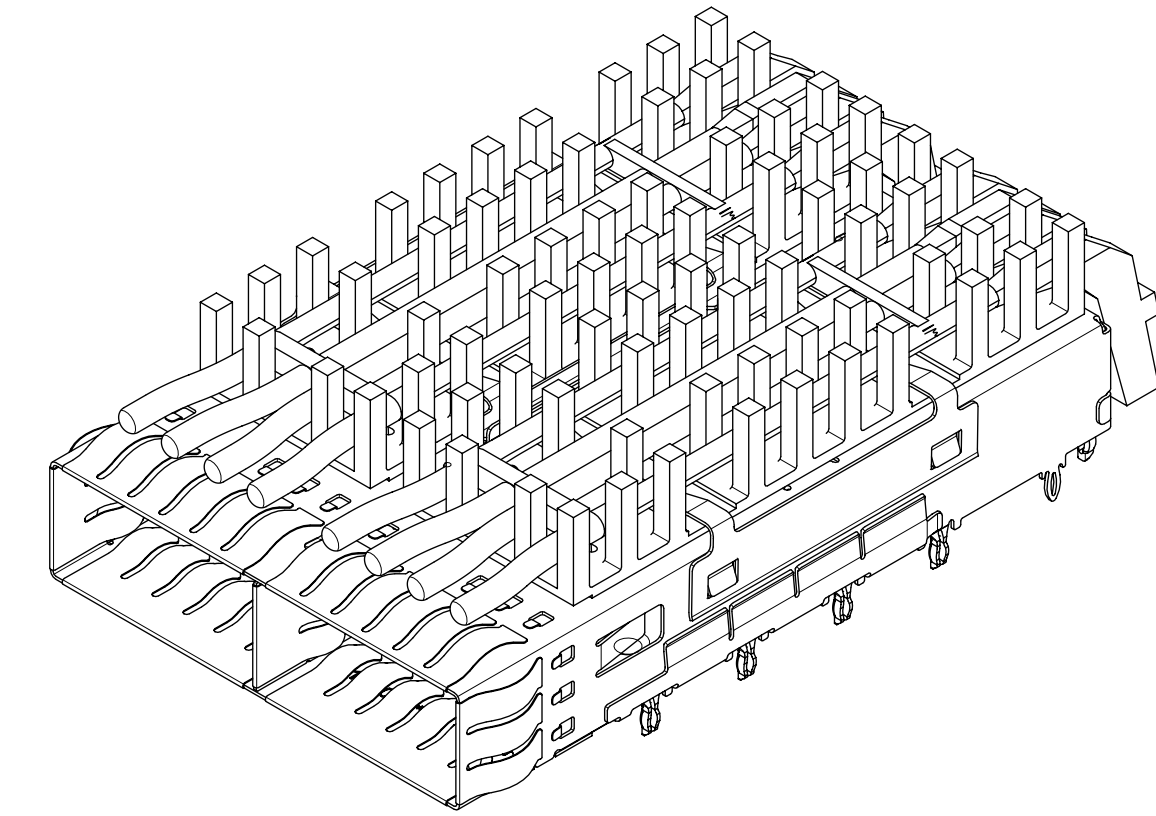
WITH HEATSINKS AND LIGHT PIPES

MOLEX P/N	LIGHTPIPES	HEATSINKS	#OF REAR LEGS PER PORT	LP SHIELD
1000153444	DUAL	SAN	0	0
1000153446	QUAD	PCI	0	0
1000153447	QUAD	SAN	0	0
1000159544	DUAL	SAN	1	0

DUAL LIGHT PIPE



QUAD LIGHT PIPE

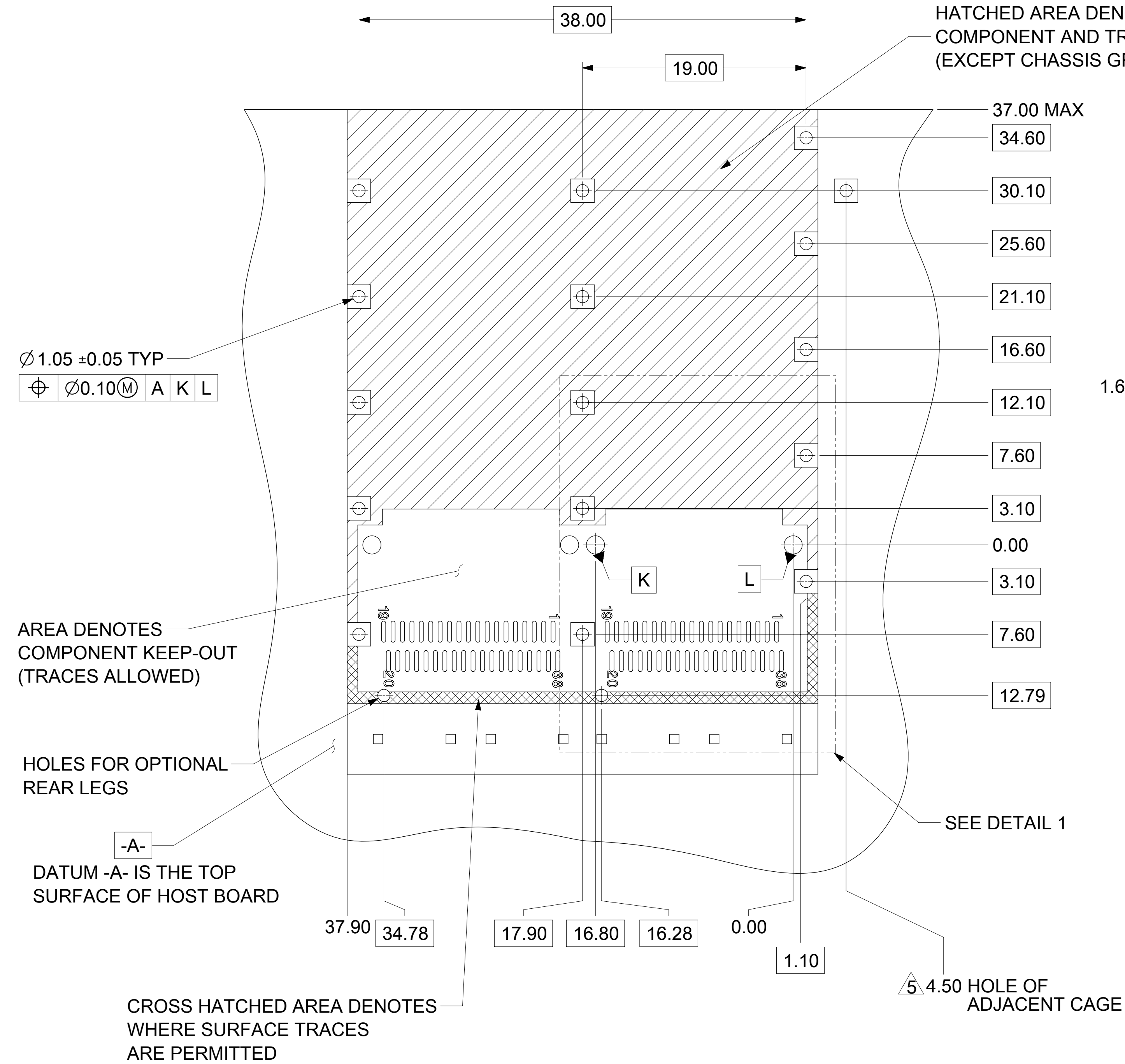


FUNCTIONAL SYMBOLS FA = 0 FE = 0 FP = 0 DIVISIONAL SYMBOLS	THIS DRAWING CONTAINS INFORMATION THAT IS PROPRIETARY TO MOLEX ELECTRONIC TECHNOLOGIES, LLC AND SHOULD NOT BE USED WITHOUT WRITTEN PERMISSION		DIMENSION UNITS: mm		SCALE: 2:1	CURRENT REV DESC: SEE REV TABLE							
	GENERAL TOLERANCES (UNLESS SPECIFIED)		ANGULAR TOL ± 2.0°		EC NO: 698869		ZQSFP+ 1X2 GANGED CAGE ASSY'S W/ SS TAB TYPE SPRING FINGER, H/S & L/P OPTIONS						
	4 PLACES ±		3 PLACES ±		2 PLACES ± 0.13		1 PLACE ± 0.25		0 PLACES ±		PRODUCT CUSTOMER DRAWING		
	DRAFT WHERE APPLICABLE MUST REMAIN WITHIN DIMENSIONS		THIRD ANGLE PROJECTION		DRAWING: D-SIZE		SERIES: 100015		MATERIAL NUMBER: SEE P/N TABLE		CUSTOMER: GENERAL MARKET		SHEET NUMBER: 3 OF 7

PCB LAYOUT FOR SINGLE SIDED MOUNTING

CROSS HATCHED AREA DENOTES EMI GROUNDING PAD (MUST BE CONNECTED TO CHASSIS GROUND)

HATCHED AREA DENOTES COMPONENT AND TRACE KEEP-OUT (EXCEPT CHASSIS GROUND)



Ø 1.05 ±0.05 TYP
 ⊕ Ø0.10(M) A K L

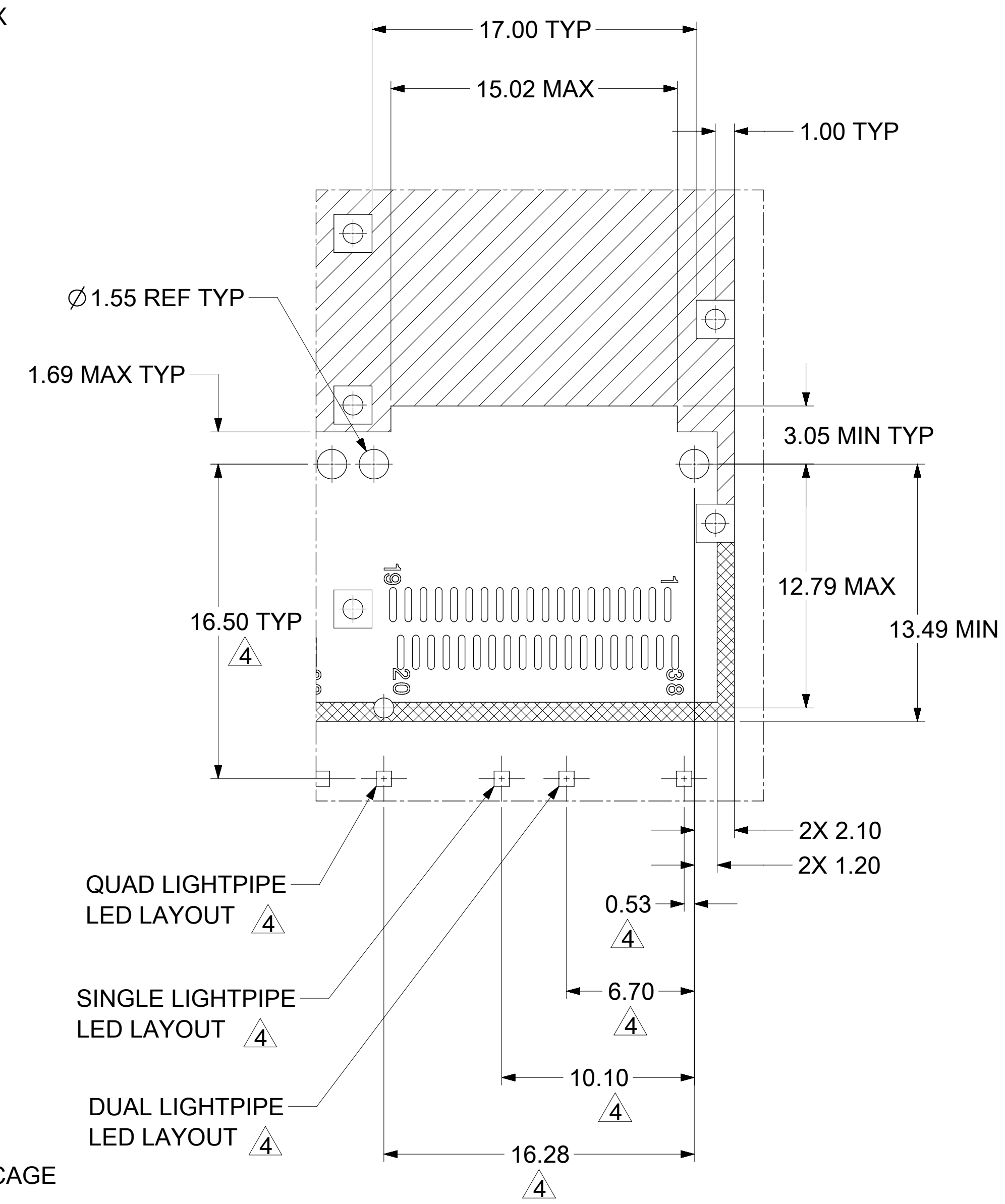
AREA DENOTES COMPONENT KEEP-OUT (TRACES ALLOWED)

HOLES FOR OPTIONAL REAR LEGS

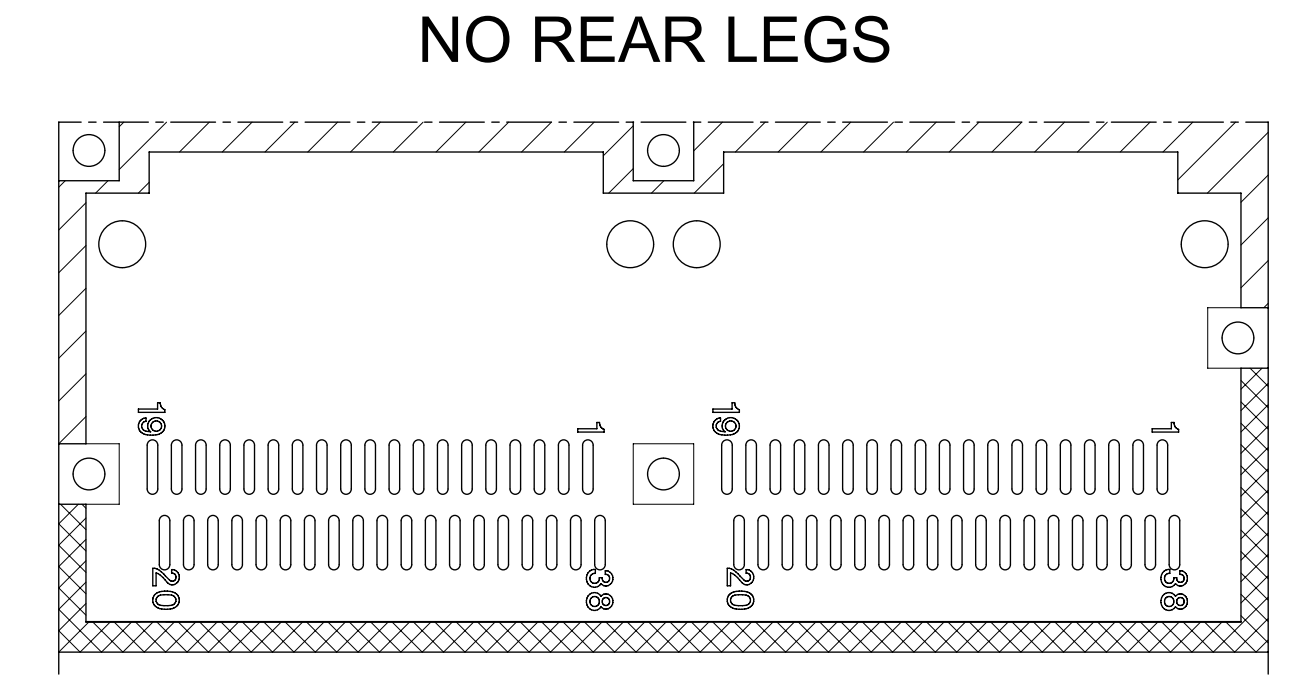
DATUM -A- IS THE TOP SURFACE OF HOST BOARD

CROSS HATCHED AREA DENOTES WHERE SURFACE TRACES ARE PERMITTED

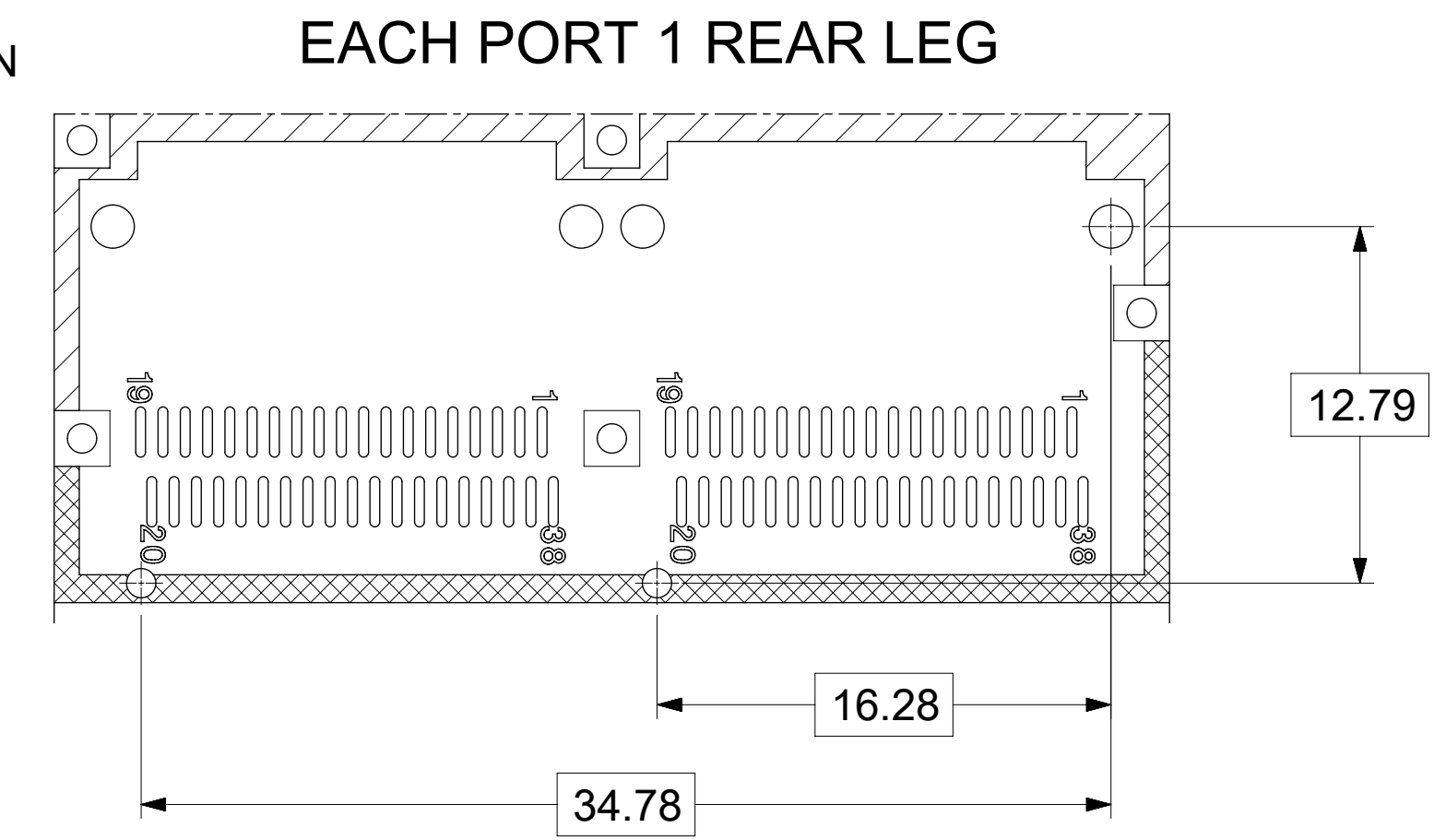
- NOTES:
- PADS AND VIAS GO TO CHASSIS GROUND. (RECOMMENDED PADS TO BE 2.00mm SQUARE.)
 - RECOMMENDED THRU HOLE PLATING INCLUDES HASL, OSP, OR IMMERSION (GOLD, SILVER, OR TIN).
 - CONNECTOR PAD LAYOUT PER SFF-8663 WILL ACCOMODATE MOLEX CONNECTOR SERIES 170432.
 - NOTED DIMENSIONS ONLY APPLY TO CAGE ASSEMBLIES WITH LIGHT PIPES.
 - THIS DIM IS FOR REF ONLY USER CAN MODIFY IT DEPENDS ON APPLICATION



DETAIL F
SCALE 5:1



PARTIAL 1
SCALE 5:1

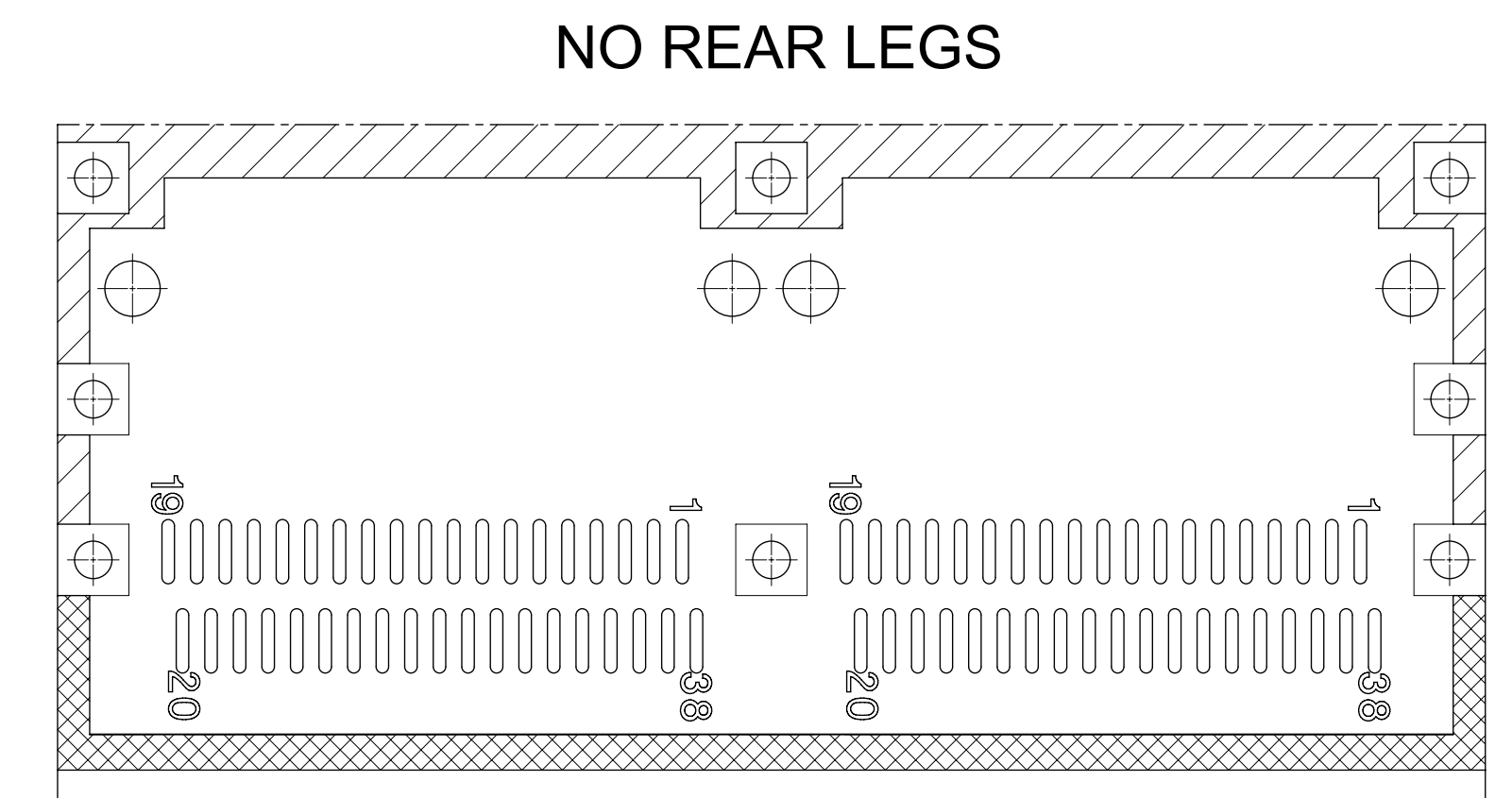
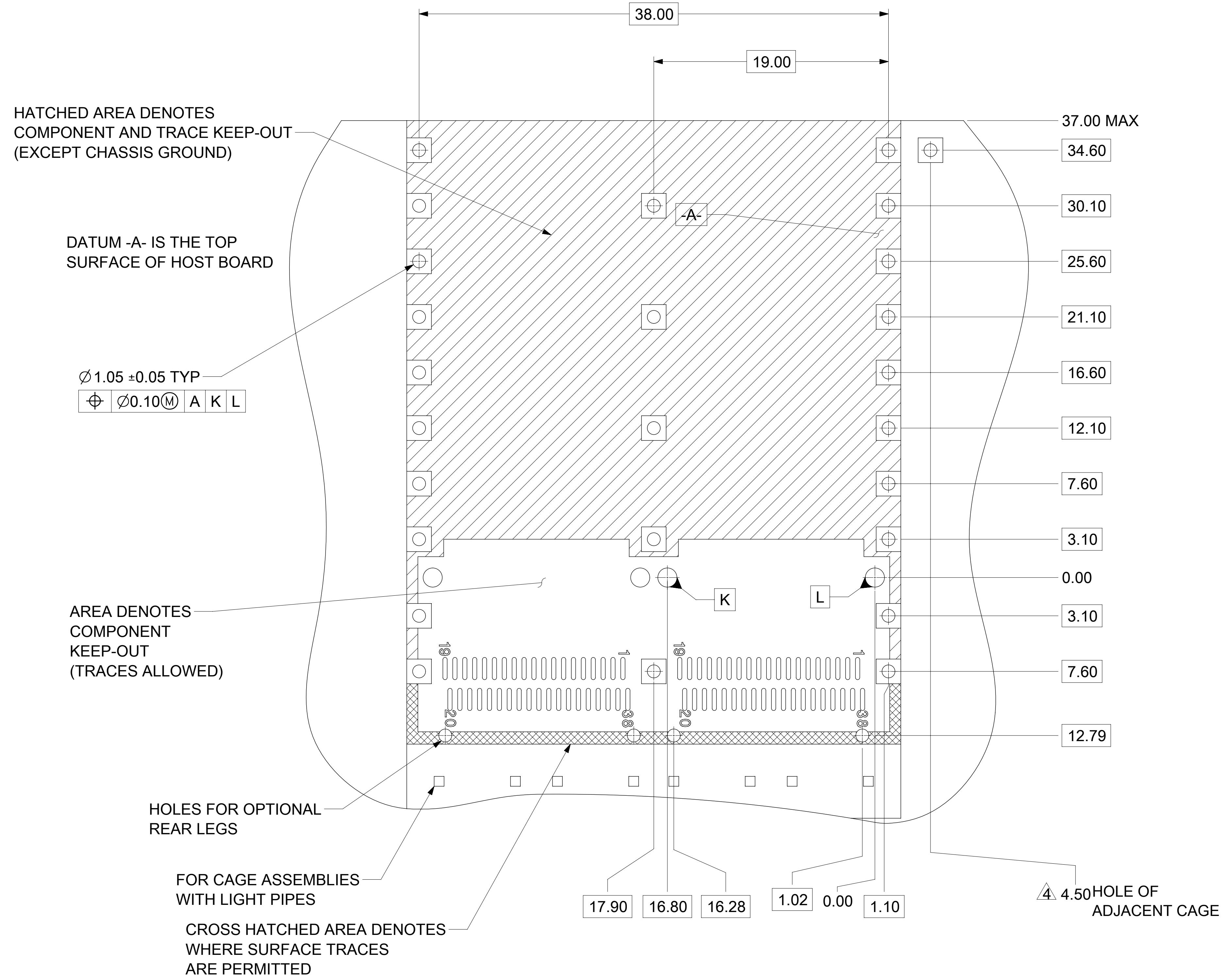


PARTIAL 1
SCALE 5:1

FUNCTIONAL SYMBOLS	THIS DRAWING CONTAINS INFORMATION THAT IS PROPRIETARY TO MOLEX ELECTRONIC TECHNOLOGIES, LLC AND SHOULD NOT BE USED WITHOUT WRITTEN PERMISSION		CURRENT REV DESC: SEE REV TABLE	
	FA = 0	mm	SCALE	4:1
DIVISIONAL SYMBOLS	GENERAL TOLERANCES (UNLESS SPECIFIED)		EC NO: 698869	
	FC = 0	ANGULAR TOL ± 2.0°	DRWN: VISHNM2	2022/02/17
FUNCTIONAL SYMBOLS	4 PLACES	±	CHK'D: TKUMARKC	2022/03/16
	3 PLACES	±	APPR: JCHIANG	2022/03/21
	2 PLACES	± 0.13	INITIAL REVISION:	
	1 PLACE	± 0.25	DRWN: VISHNM2	2022/02/17
DIVISIONAL SYMBOLS	0 PLACES	±	APPR: JCHIANG	2022/03/21
	DRAFT WHERE APPLICABLE MUST REMAIN WITHIN DIMENSIONS		THIRD ANGLE PROJECTION	DRAWING
		D-SIZE		SERIES
		100015		MATERIAL NUMBER
		SEE P/N TABLE		CUSTOMER
		GENERAL MARKET		SHEET NUMBER
		4 OF 7		

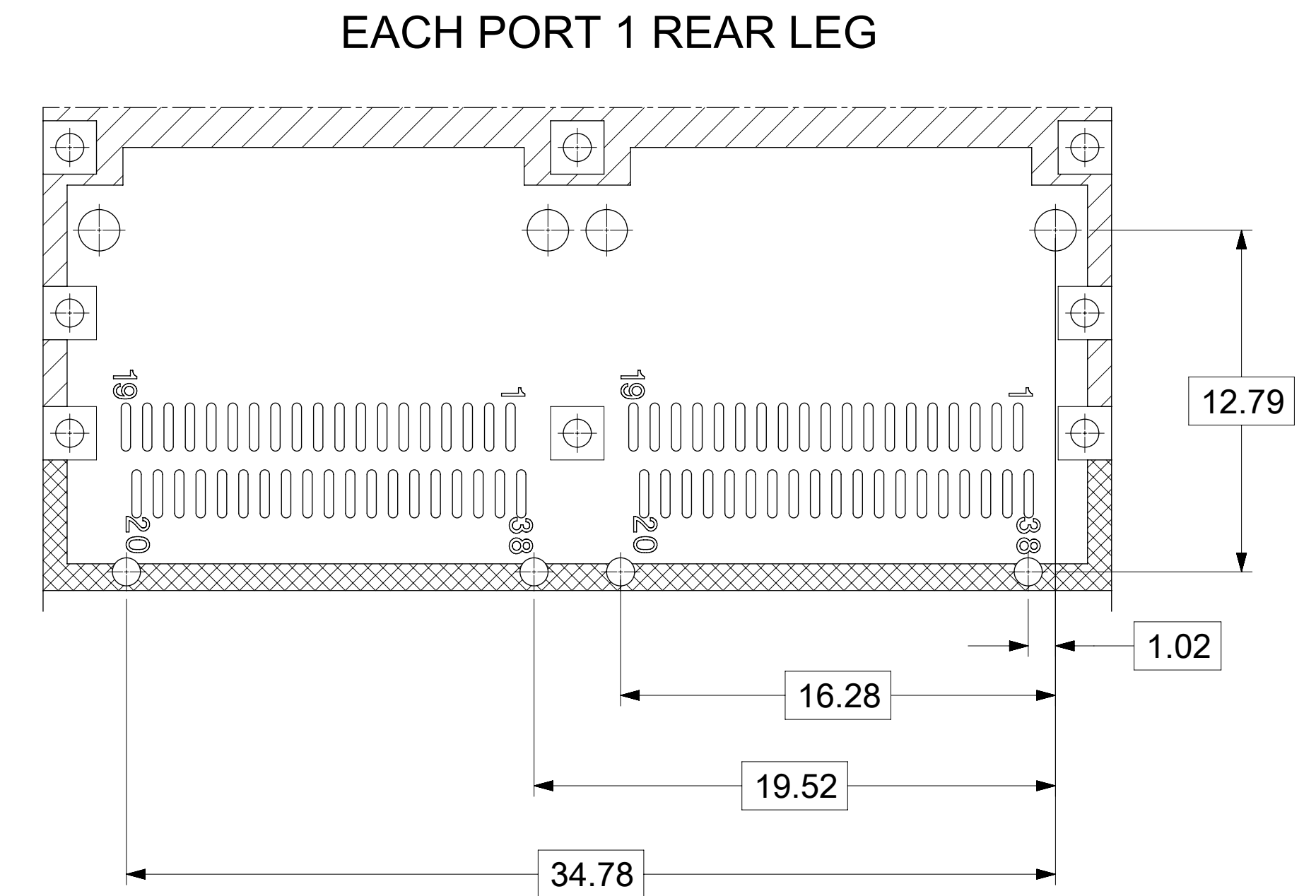
DOCUMENT STATUS	P1	RELEASE DATE	2022/03/21	05:07:54
-----------------	----	--------------	------------	----------

PCB LAYOUT FOR BELLY TO BELLY MOUNTING



PARTIAL 3
SCALE 5:1

NOTE:
SEE SHEET 5 FOR
HOST CONNECTOR DETAIL
AND LED LOCATION DETAILS



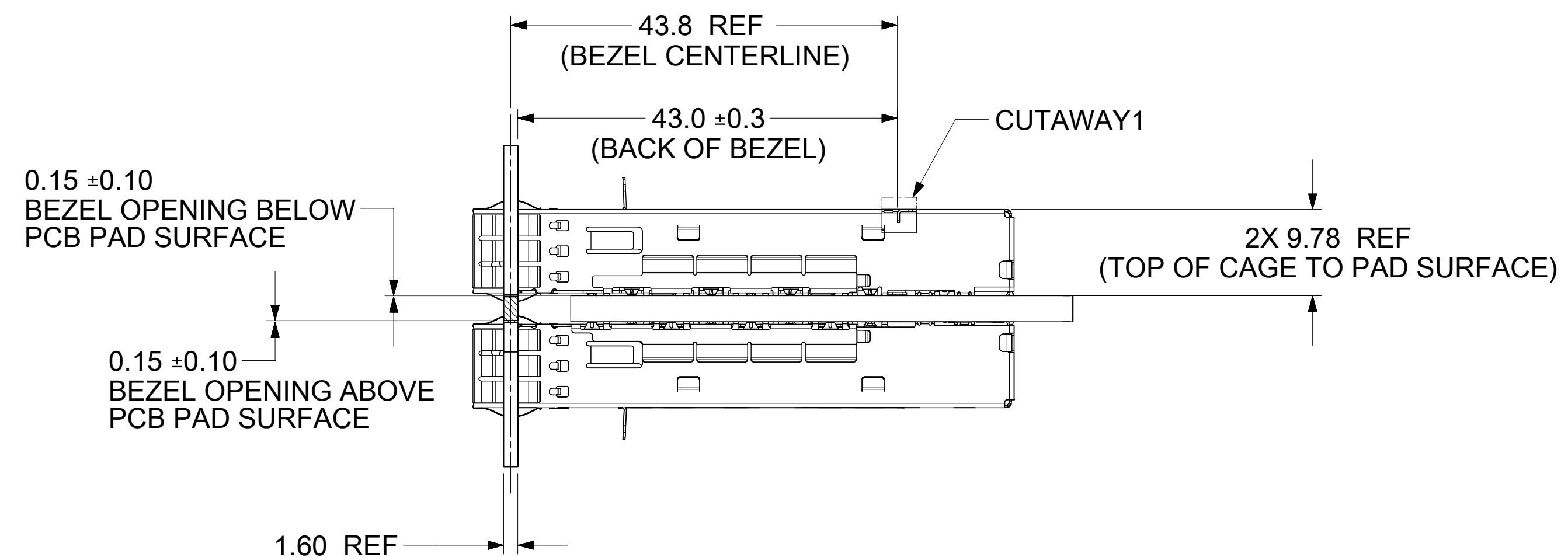
PARTIAL 4
SCALE 5:1

- NOTES:
1. PADS AND VIAS GO TO CHASSIS GROUND. (RECOMMENDED PADS TO BE 2.00mm SQUARE.)
 2. RECOMMENDED THRU HOLE PLATING INCLUDES HASL, OSP, OR IMMERSION (GOLD, SILVER, OR TIN).
 3. CONNECTOR PAD LAYOUT PER SFF-8663 WILL ACCOMODATE MOLEX CONNECTOR SERIES 170432.
 4. THIS DIM IS FOR REF ONLY USER CAN MODIFY IT DEPENDS ON APPLICATION.

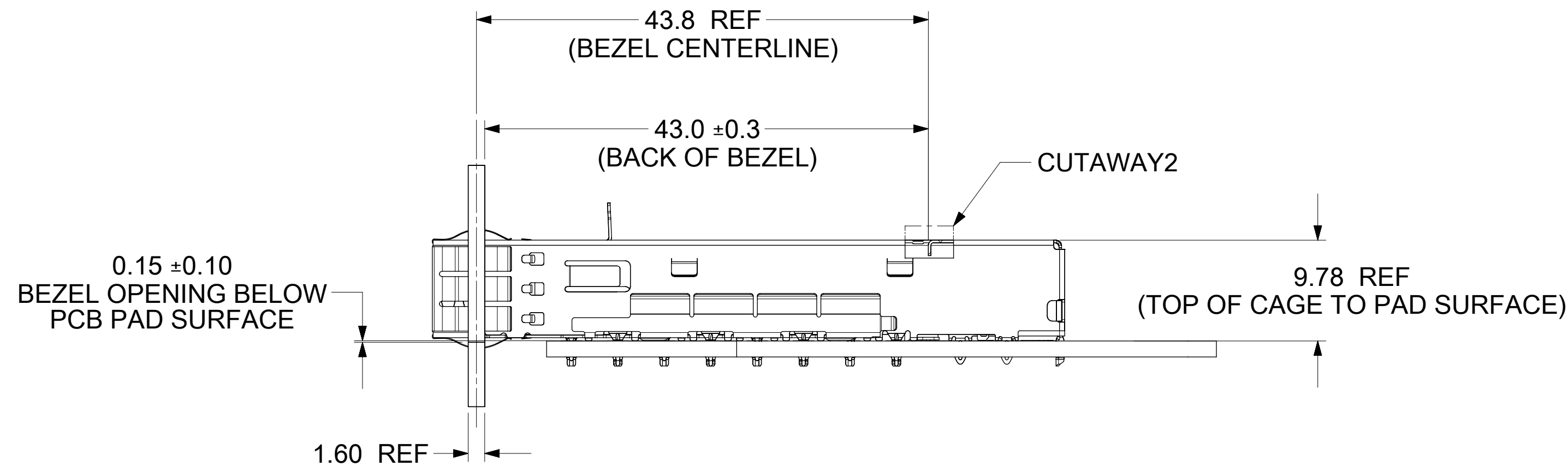
FUNCTIONAL SYMBOLS	THIS DRAWING CONTAINS INFORMATION THAT IS PROPRIETARY TO MOLEX ELECTRONIC TECHNOLOGIES, LLC AND SHOULD NOT BE USED WITHOUT WRITTEN PERMISSION		CURRENT REV DESC: SEE REV TABLE		
	FA = 0	mm	SCALE	5:1	
DIVISIONAL SYMBOLS	GENERAL TOLERANCES (UNLESS SPECIFIED)		EC NO: 698869		PRODUCT CUSTOMER DRAWING
	FC = 0	ANGULAR TOL ± 2.0°		DRWN: VISHNM2 2022/02/17	
DIVISIONAL SYMBOLS	4 PLACES ±		CHK'D: TKUMARKC 2022/03/16		DOC TYPE
	3 PLACES ±		APPR: JCHIANG 2022/03/21		DOC PART
2 PLACES ± 0.13		INITIAL REVISION:		REVISION	1000153200
1 PLACE ± 0.25		DRWN: VISHNM2 2022/02/17		PSD	
0 PLACES ±		APPR: JCHIANG 2022/03/21		ASY	A
DRAFT WHERE APPLICABLE MUST REMAIN WITHIN DIMENSIONS		THIRD ANGLE PROJECTION	DRAWING	SERIES	MATERIAL NUMBER
			D-SIZE	100015	CUSTOMER
					SEE P/N TABLE
					GENERAL MARKET
					SHEET NUMBER
					5 OF 7

DOCUMENT STATUS	P1	RELEASE DATE	2022/03/21 05:07:54
-----------------	----	--------------	---------------------

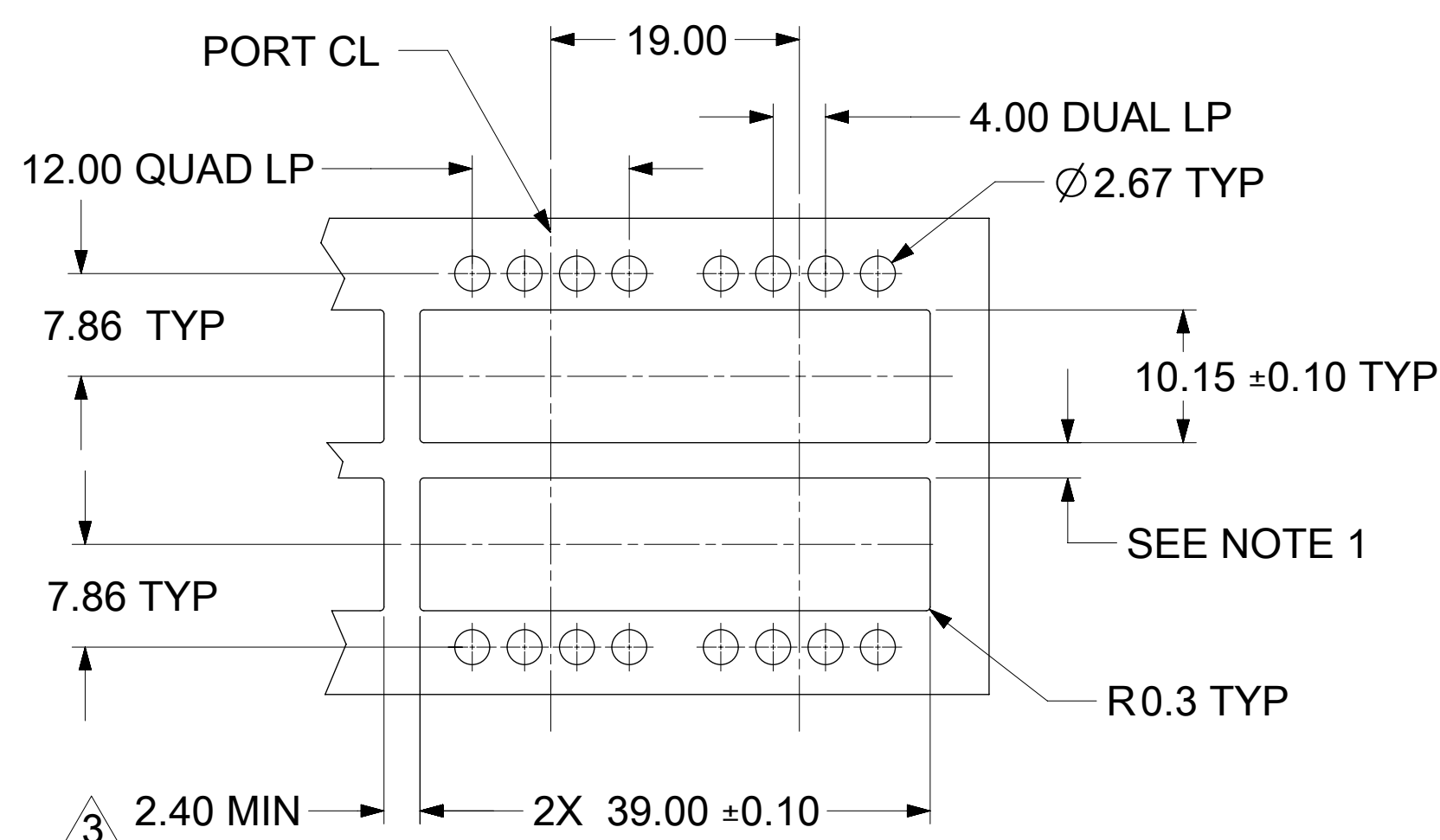
BEZEL AND BOARD POSITION DIMENSIONS FOR BELLY TO BELLY MOUNTING



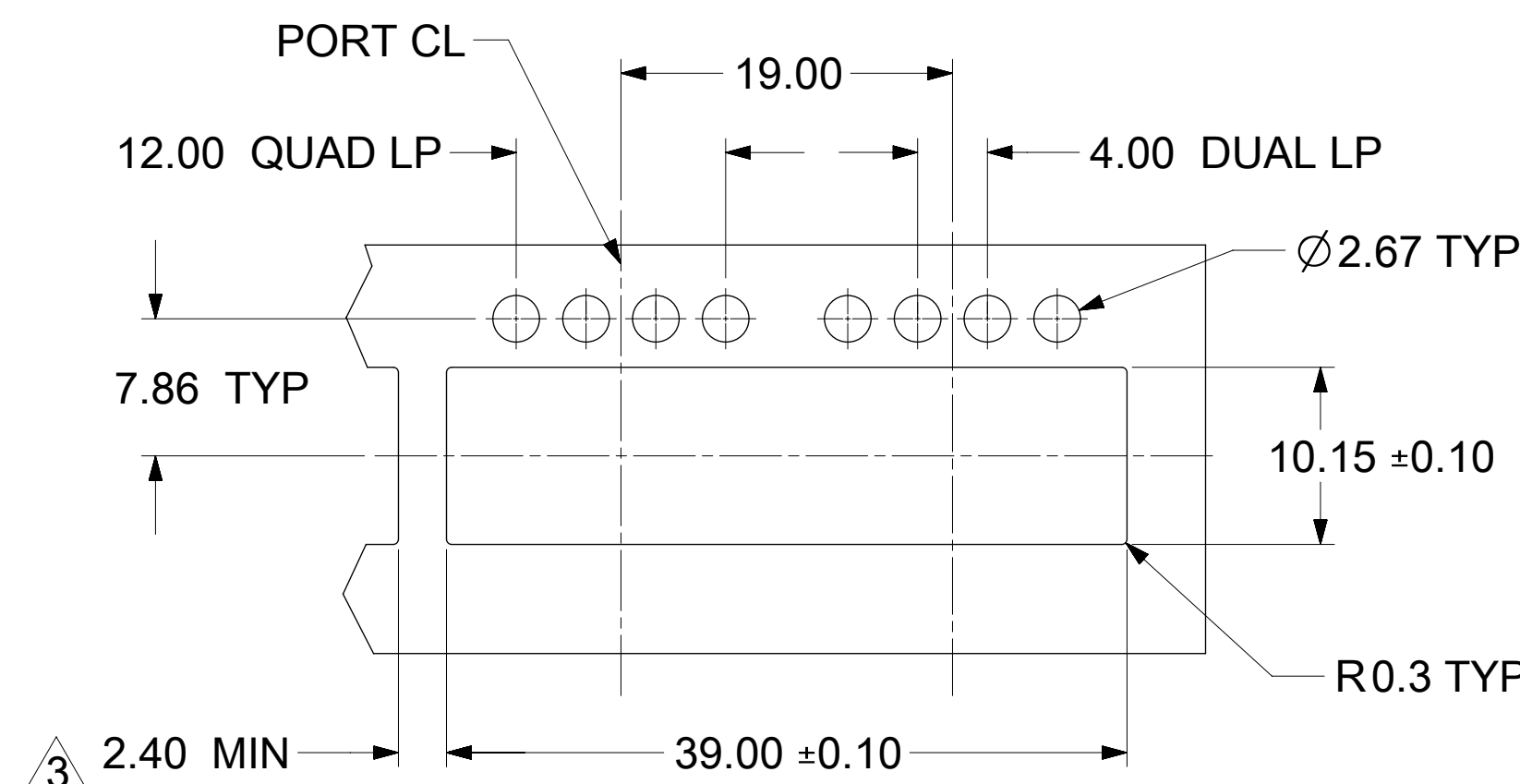
BEZEL AND BOARD POSITION DIMENSIONS FOR SINGLE SIDE MOUNTING



DUAL/QUAD LIGHT PIPE ²




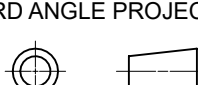
DUAL/QUAD LIGHT PIPE ²



- NOTE:
- 1. PCB THICKNESS VARIATION MUST BE CONSIDERED WHEN DETERMINING BEZEL OPENING LOCATION.
 - ² NOTED DIMENSIONS ONLY APPLY TO CAGE ASSEMBLIES WITH LIGHT PIPES.
 - ³ THIS DIM IS FOR REF ONLY USER CAN MODIFY IT DEPENDS ON APPLICATION.

FUNCTIONAL SYMBOLS	THIS DRAWING CONTAINS INFORMATION THAT IS PROPRIETARY TO MOLEX ELECTRONIC TECHNOLOGIES, LLC AND SHOULD NOT BE USED WITHOUT WRITTEN PERMISSION		CURRENT REV DESC: SEE REV TABLE		molex
	FA = 0	mm	SCALE 2:1		
DIVISIONAL SYMBOLS	GENERAL TOLERANCES (UNLESS SPECIFIED)		EC NO: 698869		ZQSFP+ 1X2 GANGED CAGE ASSY'S W/ SS TAB TYPE SPRING FINGER, H/S & L/P OPTIONS
	FC = 0	ANGULAR TOL ± 2.0°		DRWN: VISHNM2 2022/02/17	
DIVISIONAL SYMBOLS	FP = 0	4 PLACES ±		CHK'D: TKUMARKC 2022/03/16	PRODUCT CUSTOMER DRAWING
	3 PLACES ±	2 PLACES ± 0.13		APPR: JCHIANG 2022/03/21	
		1 PLACE ± 0.25		INITIAL REVISION:	
		0 PLACES ±		DRWN: VISHNM2 2022/02/17	APPR: JCHIANG 2022/03/21
DRAFT WHERE APPLICABLE MUST REMAIN WITHIN DIMENSIONS		THIRD ANGLE PROJECTION	DRAWING D-SIZE	SERIES 100015	DOCUMENT NUMBER 1000153200
					DOC TYPE PSD
					DOC PART ASY
					REVISION A
					MATERIAL NUMBER SEE P/N TABLE
					CUSTOMER GENERAL MARKET
					SHEET NUMBER 6 OF 7

REV	DATE	DESCRIPTION
A	2022/02/17	INITIAL RELEASE.

FUNCTIONAL SYMBOLS		THIS DRAWING CONTAINS INFORMATION THAT IS PROPRIETARY TO MOLEX ELECTRONIC TECHNOLOGIES, LLC AND SHOULD NOT BE USED WITHOUT WRITTEN PERMISSION												
$\nabla_A = 0$	DIMENSION UNITS	SCALE	CURRENT REV DESC: SEE REV TABLE											
$\nabla_C = 0$	mm	1:1	GENERAL TOLERANCES (UNLESS SPECIFIED)											
$\nabla_P = 0$	ANGULAR TOL \pm 2.0°		4 PLACES \pm		EC NO: 698869		INITIAL REVISION:				DOCUMENT NUMBER	DOC TYPE	DOC PART	REVISION
DIVISIONAL SYMBOLS	3 PLACES \pm		2 PLACES \pm 0.13		DRWN: VISHNM2 2022/02/17		DRWN: VISHNM2 2022/03/21				1000153200	PSD	ASY	A
	1 PLACE \pm 0.25		0 PLACES \pm		CHK'D: TKUMARKC 2022/03/16		APPR: JCHIANG 2022/03/21				SEE P/N TABLE	GENERAL MARKET	7 OF 7	
	DRAFT WHERE APPLICABLE MUST REMAIN WITHIN DIMENSIONS		THIRD ANGLE PROJECTION		DRAWING		SERIES		MATERIAL NUMBER		CUSTOMER		SHEET NUMBER	
					D-SIZE		100015		SEE P/N TABLE		GENERAL MARKET		7 OF 7	