

4

3

2

REV. A		SHEET 1 OF 2		DOCUMENT NO. RVPX-J08EXX	
REVISIONS M					
LTR	DESCRIPTION			DATE	
A	INITIAL RELEASE			11-FEB-16	

PART MARKING AS FOLLOWS
AMPHENOL 77820
'WORK ORDER NUMBER AS LOT NUMBER'

HOUSING

CONTACT

CL OF Z

4.9±0.13

7.2 REF

14.4 REF

16.2±0.13

2.40±0.13 TYP

4.4±0.13

15.34±.13

18.6±0.13

16.07±.13

CL OF V

CL OF Z

0.2 X V Z

CL OF DAUGHTERCARD WAFER #1 SLOT

SEE NOTE 2

72 PLC

CONNECTOR KEEPOUT AREA

PIN "i8"

0.65 REF

1.8±0.13

2.1 REF

CL OF V

CL OF Z

8 SPACES AT 1.8 = 14.4

1.8 8 PLC

TOP OF DAUGHTERCARD (CONNECTOR SIDE)

1.52 REF

1.8 7 PLC

2.03 REF

1.39

7 SPACES AT 1.8 = 12.6

PC BOARD LAYOUT (CONNECTOR SIDE) SCALE 4/1

12.07±.1

6.95 REF

10.5±0.13

CL OF V

CL OF WAFER IN SLOT #1

0.65 REF

12.6 REF

X

PART MARKING AS FOLLOWS
'AAO PART NUMBER' (SEE TABLE 1)
'DATE CODE'

4 ADDITIONAL CONNECTOR-SIDE KEEPOUT AREA REQUIRED IF CONNECTOR-SIDE EXTRACTION TOOL IS TO BE USED.

3 SEE TABLE 1 FOR PART NUMBER AND FINISHES

2 PTH CALLOUT TYPICAL HOLE
Ø0.63-.67 DRILL
Ø0.56 ±.05 FINISH HOLE
Ø1.02 PAD

NOTES: 1 HOUSING: GLASS FILLED LCP, UL94 - V0
CONTACT: Cu ALLOY

TABLE 1

PLATING THICKNESS AND MATERIAL BY PART NUMBER			
PART NUMBER	GOLD IN CONTACT AREA	COMPLIANT	NICKEL OVERALL
RVPX-J08EM1	50 µ-INCH MIN	50 µ-INCH MIN TIN	50 µ-INCH MIN
RVPX-J08EM2	50 µ-INCH MIN	50 µ-INCH MIN TIN-LEAD	50 µ-INCH MIN
RVPX-J08EC1	30 µ-INCH MIN	50 µ-INCH MIN TIN	50 µ-INCH MIN
RVPX-J08EC2	30 µ-INCH MIN	50 µ-INCH MIN TIN-LEAD	50 µ-INCH MIN

UNLESS OTHERWISE SPECIFIED	SPECIFICATIONS	POS	QTY	PART NUMBER	DESCRIPTION	NOTE
LINEAR DIMENSIONS ARE IN MILLIMETERS TOLERANCES: .XXXX = ± ANGLES= ±2° .XXX = ± .XX = ±.1 .X = ±.13	MATERIAL SPEC. N/A	PARTS LIST				
DIM. & TOL. PER ASME Y14.5M; DRM PER MIL-DTL-31000; OTHER Amphenol Stds. PER 9-3800	PROCESS SPEC. 9-3895 9-3856-5	APPROVALS				
LEGENDS: =FLAG NOTE CALL OUT REFERENCE ONLY		DATE				
		PREPARED BY S. LANGELIER				
		ENGINEER IN CHARGE S. LANGELIER				
		DESIGN MANAGER J. PAUL				
		DESIGN ACTIVITY GROUP BOARD LEVEL				
		THIRD ANGLE PROJECTION				
		AMPHENOL CORPORATION				
		40-60 DELAWARE AVENUE SIDNEY, NY, 13858				
		CONNECTOR ASSEMBLY, BACKPLANE VERTICAL RECEPTACLE, 8 POS., LEFT END RVPX				
		SIZE C	CAGE CODE 77820	DOCUMENT NO. RVPX-J08EXX	REV. A	
		SCALE: 5.0	REF. NONE	SHEET 1 OF 2		

THE USE OF THIS DOCUMENT IS UNLIMITED.
HOWEVER, DOCUMENTS REFERENCED HEREON
MAY CONTAIN LIMITED RIGHTS DATA.

N/A

NEXT ASSEMBLY

PRO/ENGINEER INFORMATION
Pro/e Model Used:
RVPX-J08EXX.ASSEM
Drawing Name:
RVPX-J08EXX

DOCUMENT NO. RVPX-J08EXX

SHEET 1 OF 2

REV. A

IMAGED / Feb. 24 2016, 4:08:54 PM

5

A

Eng. PDM Information
For Reference Only

REV.

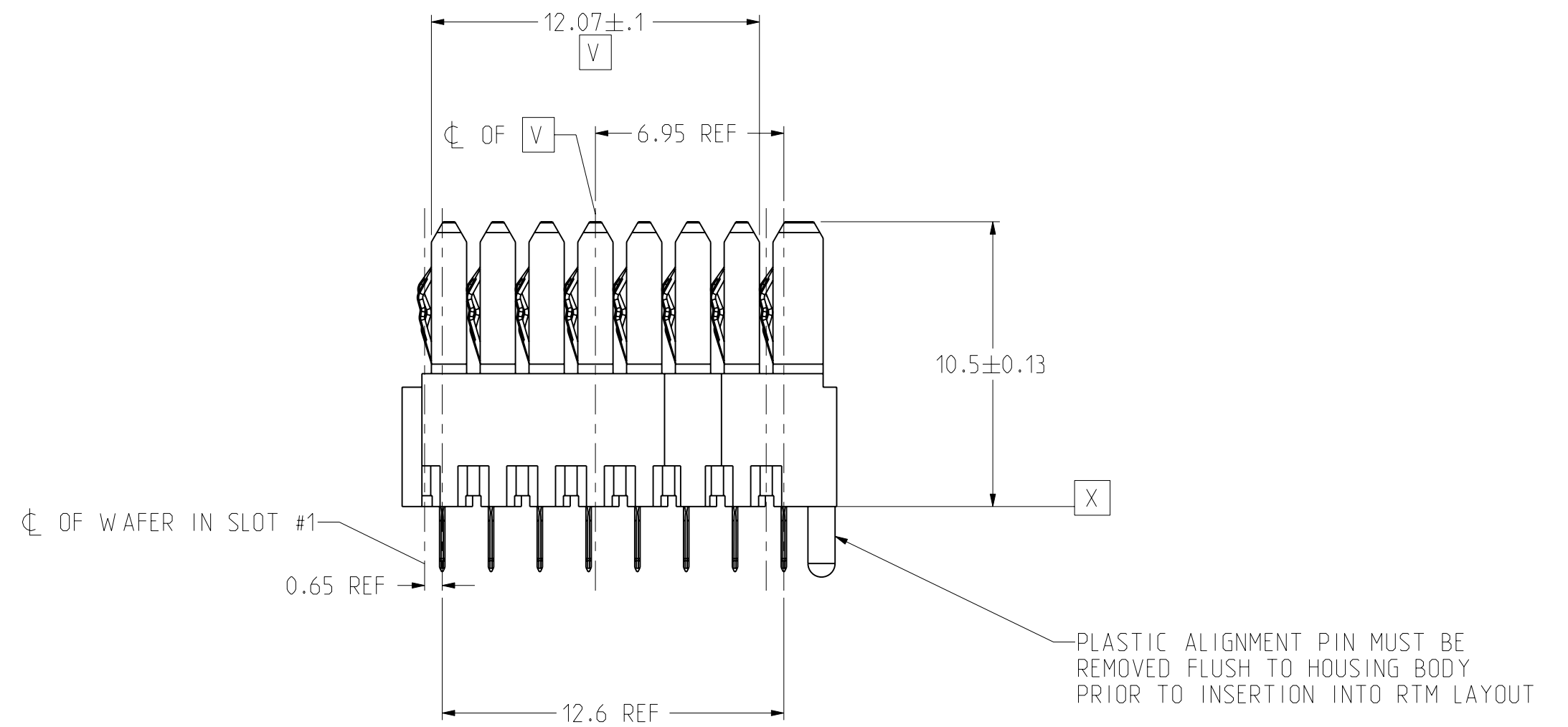
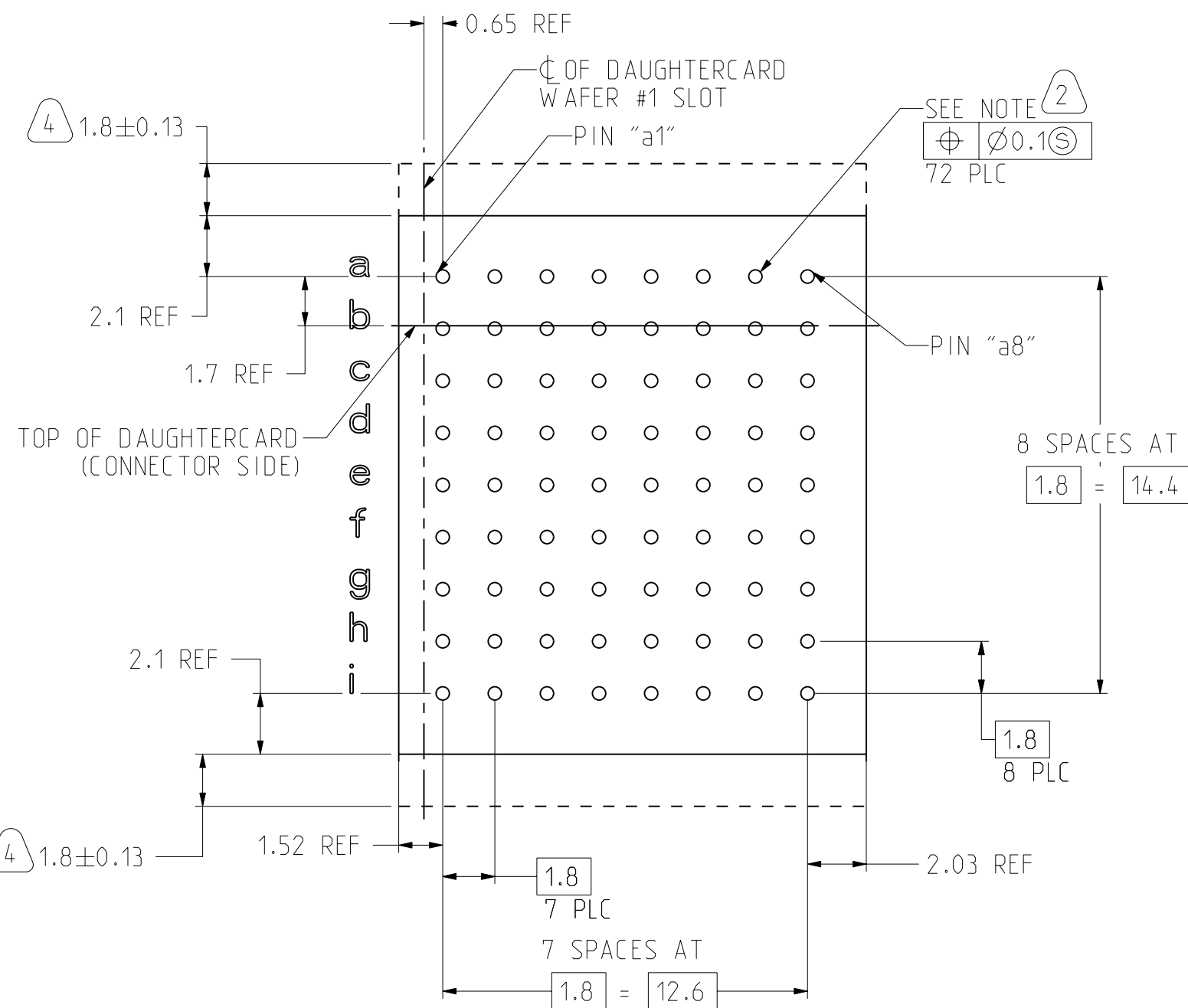
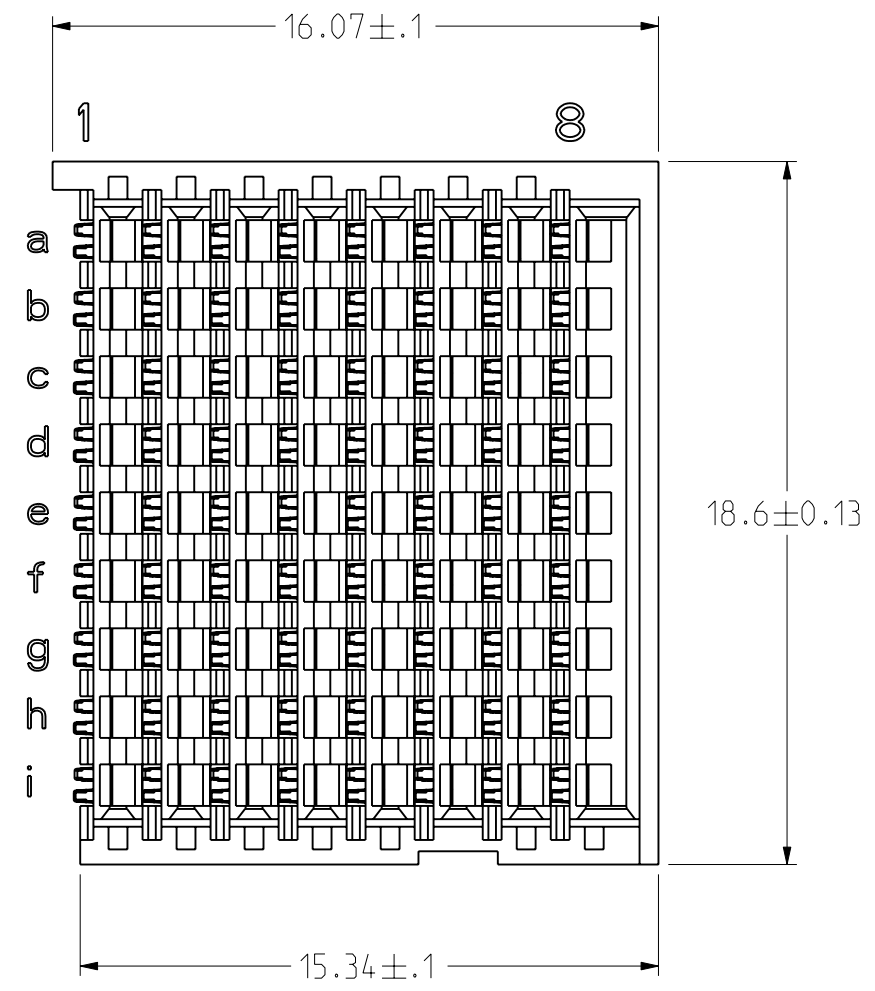
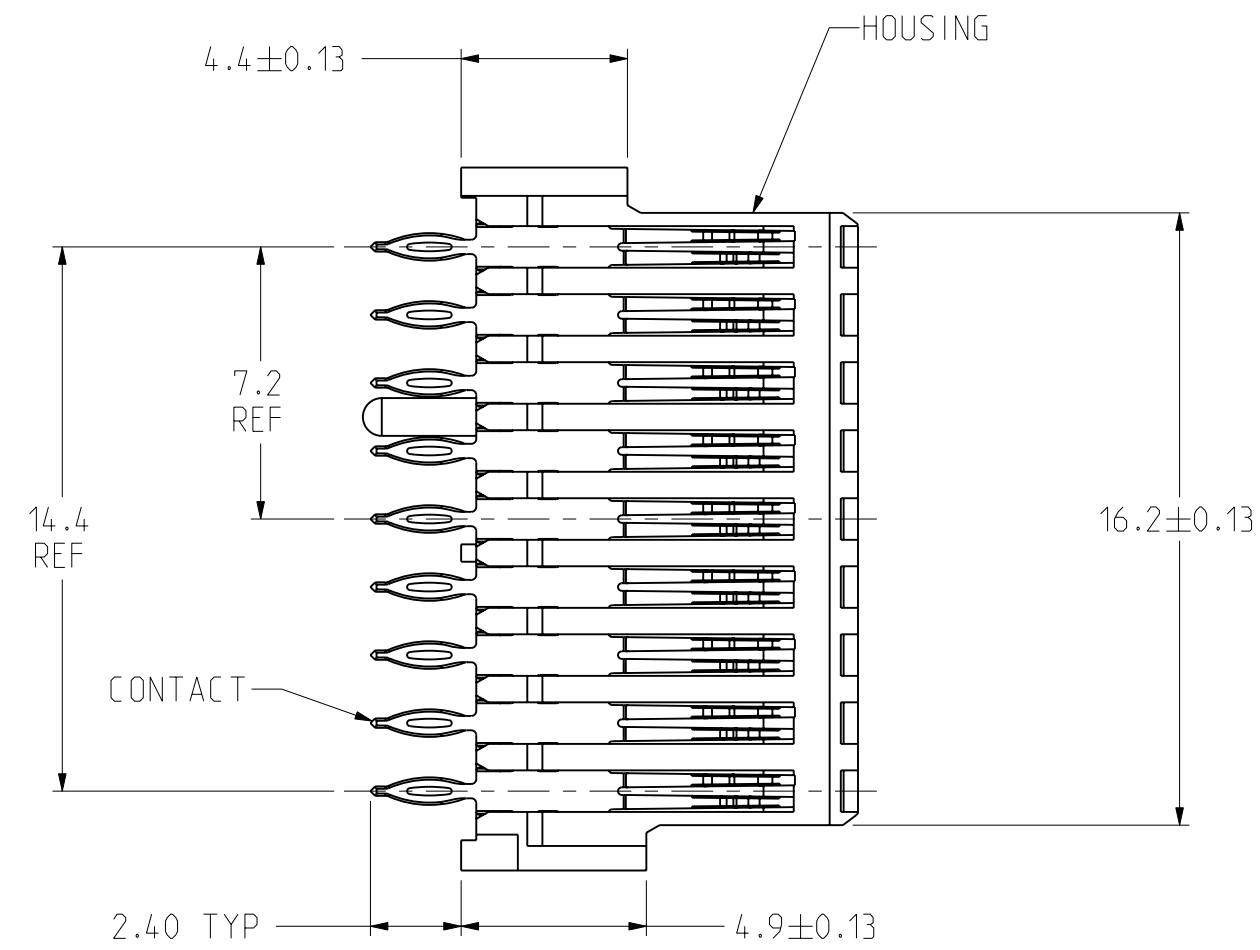
SHEET 1 OF 2

DOCUMENT NO. RVPX-J08EXX

REV. A

SHEET 1 OF 2

REAR TRANSITION MODULE APPLICATION



RTM PC BOARD LAYOUT
(CONNECTOR SIDE)
SCALE 5/1

NOTES:

THE USE OF THIS DOCUMENT IS UNLIMITED. HOWEVER, DOCUMENTS REFERENCED HEREON MAY CONTAIN LIMITED RIGHTS DATA.

SIZE C	CAGE CODE 77820	DOCUMENT NO. RVPX-J08EXX	REV. A
SCALE: 5.0		REF: NONE	SHEET 2 OF 2

DOCUMENT NO. RVPX-J08EXX
 SHEET 2 OF 2
 REV. A
 Eng. PDM Information For Reference Only
 REVISION A
 VERSION 5