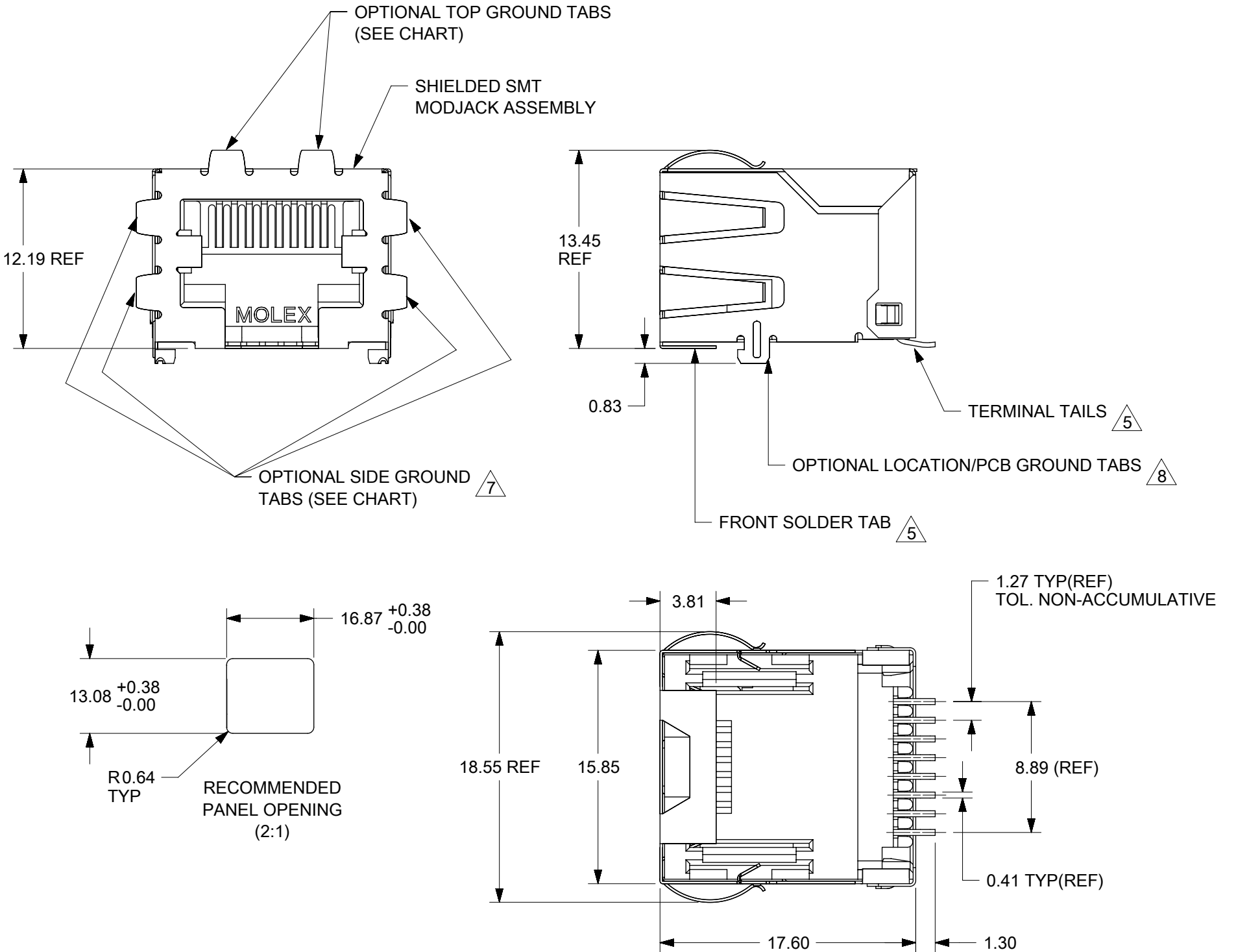


NOTES:

- 1) MATERIAL:  
HOUSING & INSULATOR: NYLON(PA), GLASS FILLED, UL94V-0, COLOR: BLACK  
TERMINALS: PHOSPHOR BRONZE, 0.30 mm THICK  
SHIELD: BRASS
- 2) FINISH:  
TERMINALS:  
A = SELECT GOLD IN CONTACT AREA: 0.00127 mm MIN.,  
\*SELECT MATTE TIN IN PC TAIL AREA: 0.00254 mm MIN.,  
WITH OVERALL NICKEL UNDERPLATE: 0.00127 mm MIN.  
B = SELECT GOLD IN CONTACT AREA: 0.00076 mm MIN.,  
\*SELECT MATTE TIN IN PC TAIL AREA: 0.00254 mm MIN.,  
WITH OVERALL NICKEL UNDERPLATE: 0.00127 mm MIN.  
C = SELECT GOLD IN CONTACT AREA: 0.00038 mm MIN.,  
\*SELECT MATTE TIN IN PC TAIL AREA: 0.00254 mm MIN.,  
WITH OVERALL NICKEL UNDERPLATE: 0.00127 mm MIN.  
SHIELD:  
\*2.54 MICROMETER NICKEL OVER 1.27 MICROMETER COPPER UNDERPLATE  
PCB GROUND TABS DIPPED IN TIN  
\*THE PRIMARY SHIPPING CARTON WILL BE LABELED "COMPLIANT TO RoHS DIRECTIVE 2002/95/EC AND ELV ANNEX II OF DIRECTIVE 2000/53/EC".  
CARTONS WITHOUT THIS LABEL MAY CONTAIN PRODUCT WITH TIN-LEAD IN THE PC TAILS AND/OR SHIELD.
- 3) PRODUCT SPECIFICATION AND PROCESSING PARAMETERS: PS-43743-0001.
- 4) PACKAGING SPECIFICATION:  
CONNECTOR ASSEMBLIES TO BE PACKAGED USING TAPE & REEL SYSTEM PER PACKAGING DRAWING PK-70873-7006.
- 5) COPLANARITY SPECIFICATION:  
WHEN AN ASSEMBLY IS PLACED UPON A LEVEL SURFACE, THE MAXIMUM GAP BETWEEN THE LEVEL SURFACE AND ALL TERMINAL TAILS AND FRONT SOLDER TAB IS 0.15 mm.
- 6) THRU HOLES 2.39±0.05 mm ARE FOR SHIELDS WITH LOCATION TABS ONLY.
- 7) AVAILABLE WITH (4) OPTIONAL SIDE GROUND TABS (OMITTED FOR SIDE TO SIDE STACKABILITY).
- 8) AVAILABLE WITH (2) OPTIONAL LOCATION TABS FOR LOCATING COMPONENT TO PCB AND/OR GROUNDING TO PCB.
- 9) FOR ASSEMBLIES HAVING VOIDED CIRCUITS, THE TAIL PORTION IS CUT AND REMOVED. THE MATING PORTION OF THE TERMINAL REMAINS INTACT.
- 10) CONFORMS TO FCC REGULATION PART 68.5 FOR MODULAR JACKS.
- 11) THIS PART CONFORMS TO CLASS B REQUIREMENTS OF COSMETIC SPECIFICATION PS-45499-002.

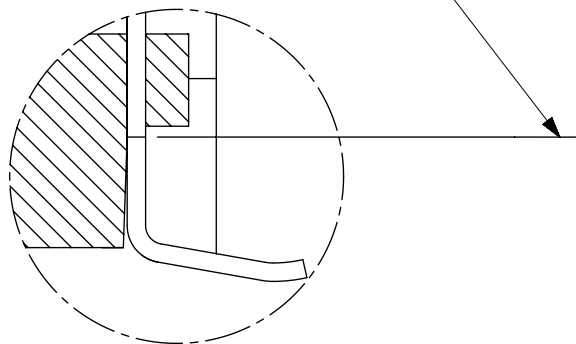


44282-0001, 44282-0002 & 44282-0003 SHOWN

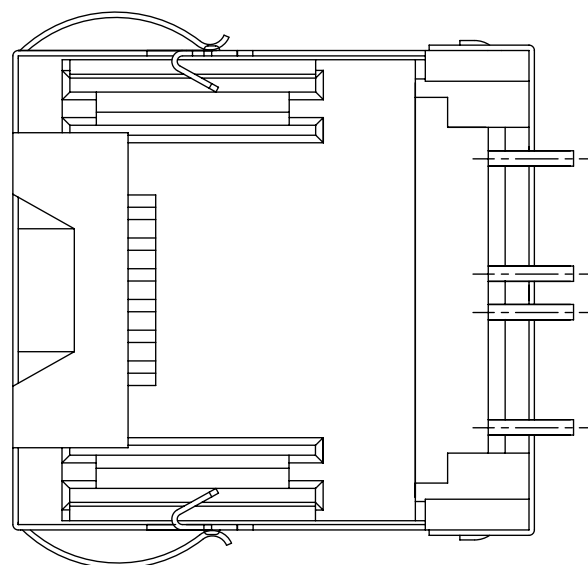
	44282-1004	A	NO	NO	YES	NONE
X	44282-0012	C	NO	YES	NO	NONE
X	44282-0011	B	NO	YES	NO	NONE
X	44282-0010	A	NO	YES	NO	NONE
X	44282-0009	C	YES	YES	NO	NONE
X	44282-0008	B	YES	YES	NO	NONE
X	44282-0007	A	YES	YES	NO	NONE
X	44282-0006	C	NO	YES	YES	NONE
X	44282-0005	B	NO	YES	YES	NONE
X	44282-0004	A	NO	YES	YES	NONE
X	44282-0003	C	YES	YES	YES	NONE
X	44282-0002	B	YES	YES	YES	NONE
	44282-0001	A	YES	YES	YES	NONE
"X"=NOT TOOLED	ASSEMBLY MAT. NO.	TERMINAL PLATING	SHIELD SIDE TABS	SHIELD TOP TABS	LOCATION TABS	VOIDED CIRCUITS

SYMBOLS	THIS DRAWING CONTAINS INFORMATION THAT IS PROPRIETARY TO MOLEX ELECTRONIC TECHNOLOGIES, LLC AND SHOULD NOT BE USED WITHOUT WRITTEN PERMISSION		CURRENT REV DESC: MIGRATED TO NX		
	DIMENSION UNITS	SCALE			
▽ = 0	MM	3:1			SINGLE PORT, SHIELDED SIZE 8, 8 CIRCUIT SMT MODJACK
▽ = 0	GENERAL TOLERANCES (UNLESS SPECIFIED)				
▽ = 0	ANGULAR TOL ± 0.5°				PRODUCT CUSTOMER DRAWING
▽ = 0	4 PLACES ±				
▽ = 0	3 PLACES ±				DOCUMENT NUMBER <b>SD-44282-001</b>
▽ = 0	2 PLACES ± 0.25				
▽ = 0	1 PLACE ±				DOC TYPE DOC PART REVISION PSD 001 D5
▽ = 0	0 PLACES ±				
□ = 0	DRAFT WHERE APPLICABLE MUST REMAIN WITHIN DIMENSIONS		THIRD ANGLE PROJECTION	DRAWING	SERIES
▽ = 0				A3-SIZE	44282
			MATERIAL NUMBER	CUSTOMER	SHEET NUMBER
			SEE CHART	GENERAL MARKET	1 OF 2

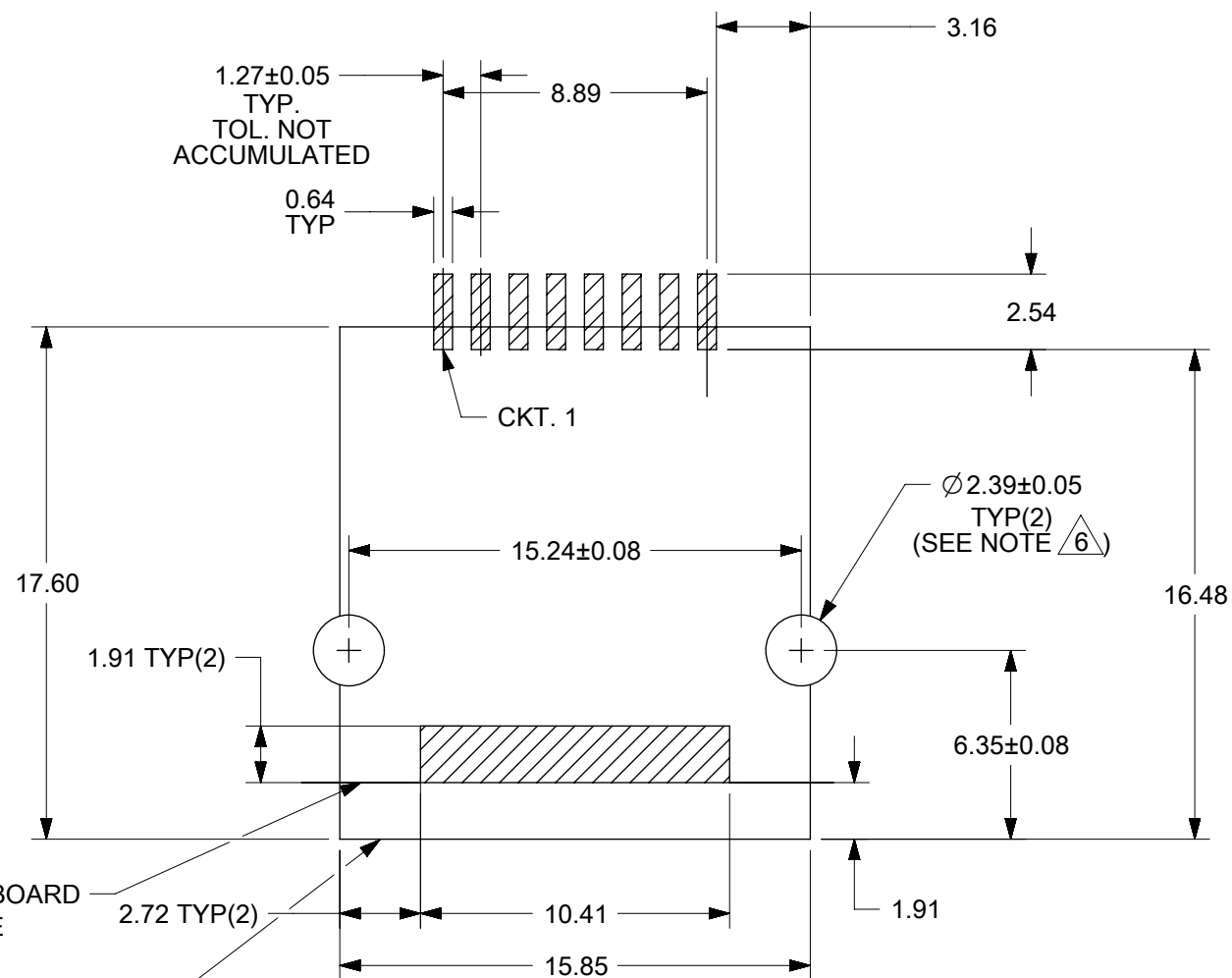
TERMINAL CUTOFF POINT



VIEW SHOWING TYPICAL TERMINAL CUTOFF OF TAIL (SEE NOTE 10) FOR VOIDED CIRCUITS.



TYPICAL VIEW SHOWING VOIDED CIRCUIT (CIRCUITS 2,3,6 & 7 SHOWN VOIDED)



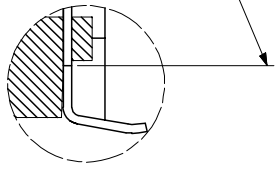
### PC BOARD LAYOUT FOR 8 POSITION HOUSING (COMPONENT SIDE OF BOARD)

NOTES:  
1. RECOMMENDED MINIMUM PCB THICKNESS: 0.86 mm.

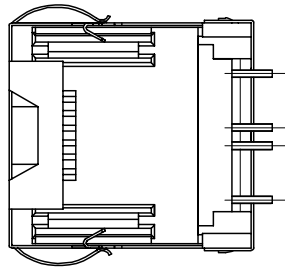
<b>SYMBOLS</b> ▽ = 0 ▽ = 0 ▽ = 0 ▽ = 0 ▽ = 0 ▽ = 0 ▽ = 0 ▽ = 0 ▽ = 0 ▽ = 0 ▽ = 0	THIS DRAWING CONTAINS INFORMATION THAT IS PROPRIETARY TO MOLEX ELECTRONIC TECHNOLOGIES, LLC AND SHOULD NOT BE USED WITHOUT WRITTEN PERMISSION	SCALE	CURRENT REV DESC: MIGRATED TO NX		
	DIMENSION UNITS	1:1	<b>molex</b>  SINGLE PORT, SHIELDED SIZE 8, 8 CIRCUIT SMT MODJACK		
	GENERAL TOLERANCES (UNLESS SPECIFIED)				
ANGULAR TOL	± 0.5°	EC NO: 173578	PRODUCT CUSTOMER DRAWING  DOCUMENT NUMBER: SD-44282-001 DOC TYPE: PSD DOC PART: 001 REVISION: D5		
4 PLACES	±	DRWN: VK10 2018/01/18			
3 PLACES	±	CHK'D: KLANG 2018/03/23	INITIAL REVISION: DRWN: STAMBAUG 99/06/03 APPR: EDGLEY 99/06/03		
2 PLACES	± 0.25	APPR: KLANG 2018/03/23			
1 PLACE	±		MATERIAL NUMBER	CUSTOMER	SHEET NUMBER
0 PLACES	±		SEE CHART	GENERAL MARKET	2 OF 2
DRAFT WHERE APPLICABLE MUST REMAIN WITHIN DIMENSIONS	THIRD ANGLE PROJECTION	DRAWING	SERIES		
		A3-SIZE	44282		

13 12 11 10 9 8 7 6 5 4 3 2 1

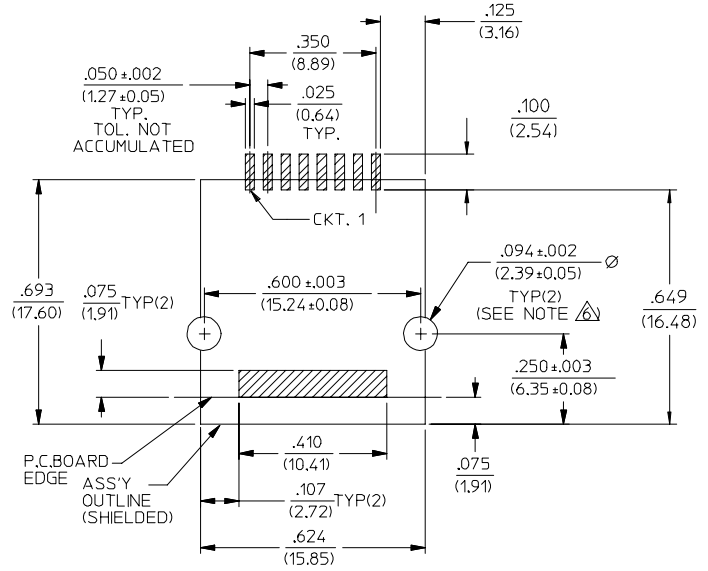
TERMINAL CUTOFF POINT



VIEW SHOWING TYPICAL TERMINAL CUTOFF OF TAIL (SEE NOTE 10) FOR VOIDED CIRCUITS.



TYPICAL VIEW SHOWING VOIDED CIRCUIT (CIRCUITS 2,3,6 & 7 SHOWN VOIDED)



PC BOARD LAYOUT FOR 8 POSITION HOUSING  
(COMPONENT SIDE OF BOARD)

NOTES:  
1. RECOMMENDED MINIMUM PCB THICKNESS: .034/0.86

SEE SHEET ONE FC NO: UCP2008-0143 DRAWN: JBELL 2007/07/24 CHKD: LSJMI DT 2007/07/30 APPR: FSM TH 2007/08/01 D2	QUALITY SYMBOLS ▽=0 ▽=0	GENERAL TOLERANCES (UNLESS SPECIFIED)		DIMENSION STYLE IN/MM		SCALE 4:1	DESIGN UNITS INCH	THIRD ANGLE PROJECTION		
		mm	INCH	DRAWN BY	DATE	TITLE				
		4 PLACES ± ---	± ---	STAMBAUG	99/06/03	SURFACE MOUNT MODULAR JACK W/ SHIELD				
		3 PLACES ± ---	± .010	CHECKED BY	DATE	MOLEX INCORPORATED				
2 PLACES ± 0.25	± ---	WIRKUS	99/06/03	APPROVED BY		DATE	DOCUMENT NO.			
1 PLACE ± ---	± ---	EDGLEY	99/06/03	MATERIAL NO.		SD-44282-001		SHEET NO.		
ANGULAR ±1/2°		SEE CHART		SIZE		THIS DRAWING CONTAINS INFORMATION THAT IS PROPRIETARY TO MOLEX INCORPORATED AND SHOULD NOT BE USED WITHOUT WRITTEN PERMISSION		2 OF 2		

12 11 10 9 8 7 6 5 4 3 2 1