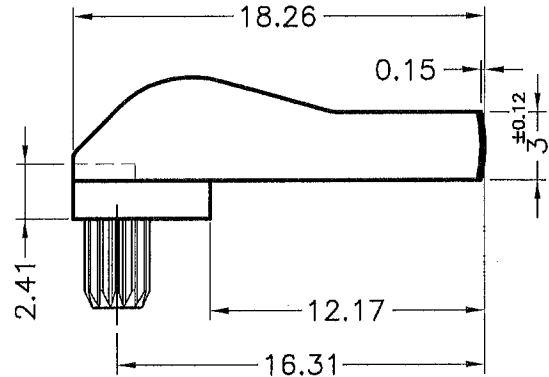
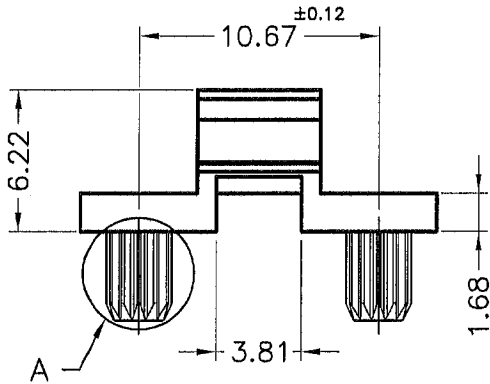
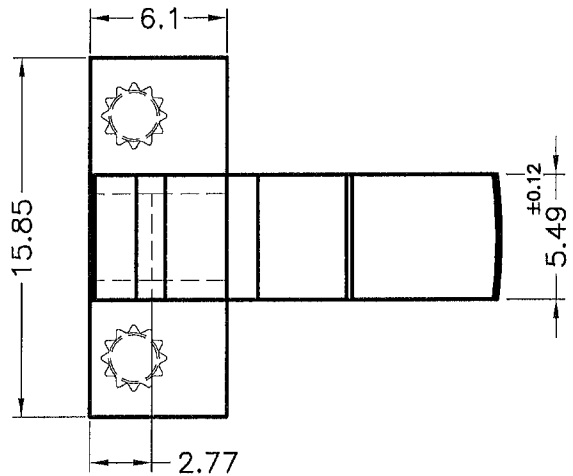
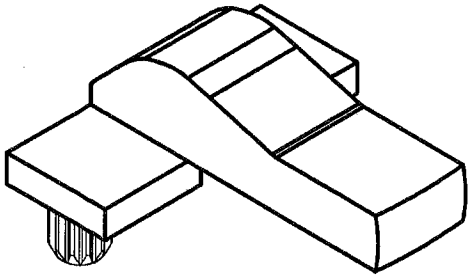
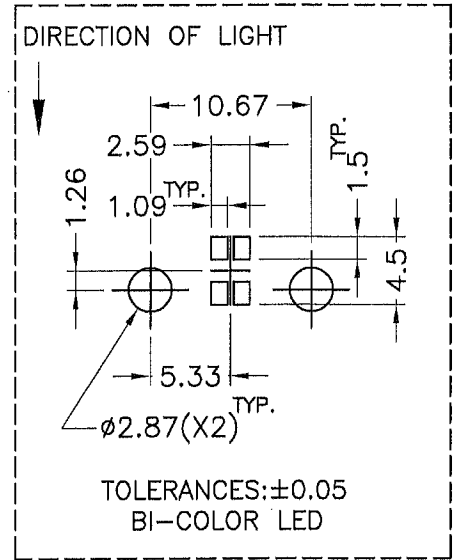
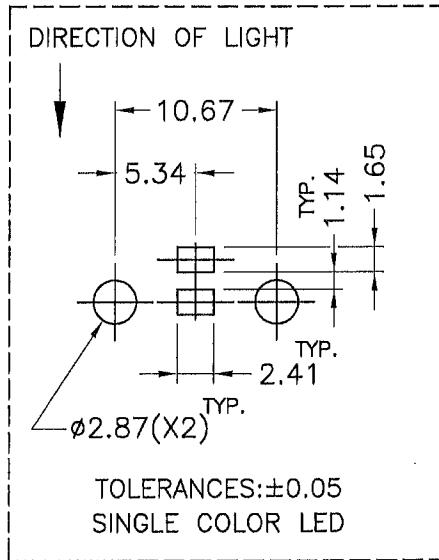
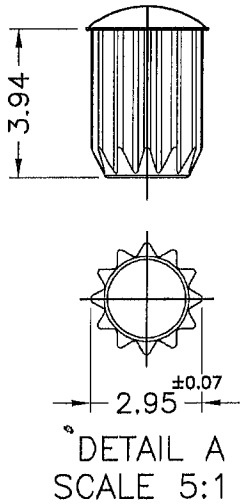



REVISIONS			
REV	DESCRIPTION	DATE	BY




RECOMMENDED HOLE PATTERN GAUGE/SOLDER PAD LAYOUT




康揚企業股份有限公司
 KANG YANG HARDWARE ENTERPRISE CO., LTD.
康揚塑膠(東莞)有限公司
 KANG YANG PLASTIC(DONG GUAN) CO., LTD.
康哲電腦配件(吳江)有限公司
 KANG CHE COMPUTER COMPONENTS(WUJIANG) CO., LTD.

PART NUMBER	DRAWING NUMBER
SLP-3V0	SLP-3V0
SIZE	SCALE
A4	3:1
UNIT	REV
mm	A

TITLE	LIGHT PIPE
MATERIAL	PC UL94V-0
FINISH	
COLOR	CLEAR
UNLESS OTHERWISE SPECIFIED TOLERANCE	±0.25

TITLE	SPEC. DWG.
DATE	2014.07.09
DRAWN	Emily
CHECK	
APPROVED	