

REV. Status

PRELIMINARY
11/01/00 BT

PRELIMINARY 1
CHANGED TO
16 PIN SOIC
FROM SMD,
CHANGED
SCHEMATIC.
11/29/00 BT

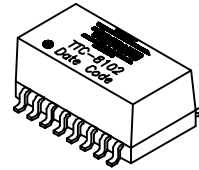


10/100 Base-T LAN Magnetic Module Single Port, 16 pin SOIC

MODEL NUMBER

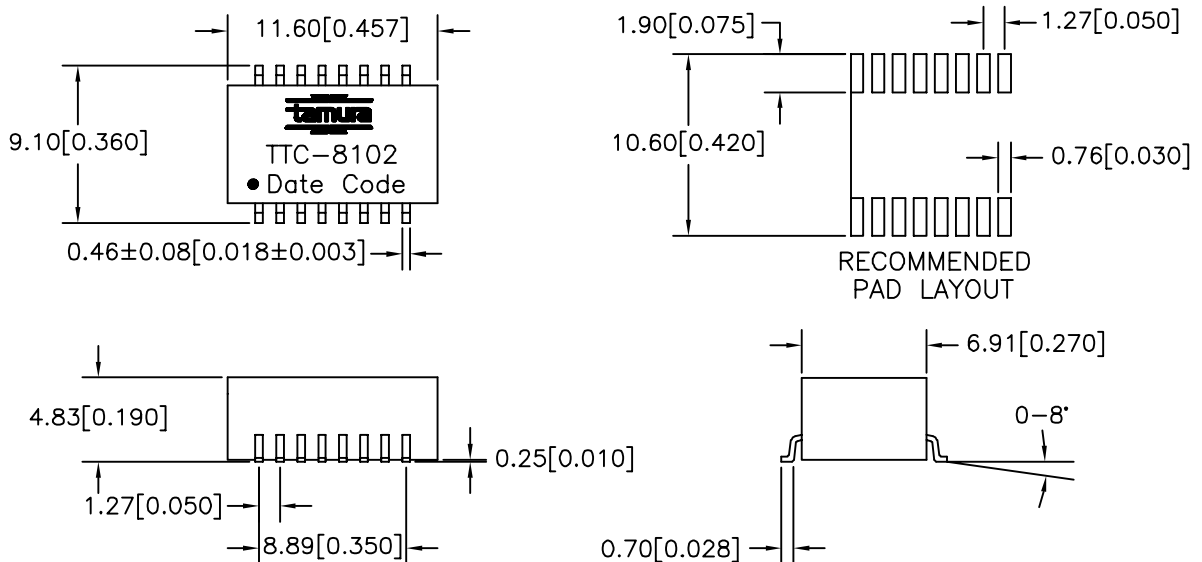
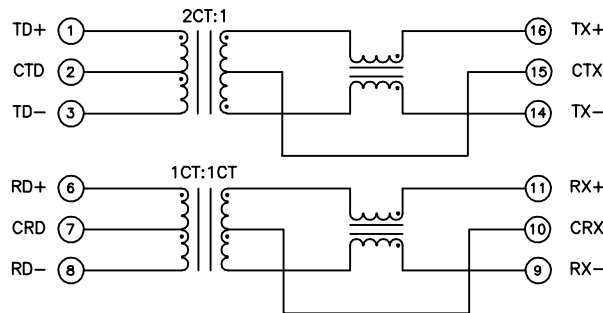
TTC-8102

- Complies with IEEE 802.3 Standard
- Surface Mount Device withstands IR reflow profile process
- Operating temperature: 0°C to 70°C
- Enhanced Common Mode Attenuation



Electrical Specification @ 25°C							
Insertion Loss (dB Max)	Return Loss (dB Min)			CMRR (dB Min)	Crosstalk (dB Min)	OCL (μH Min)	Hipot (Vrms)
0.1-100 MHz	0.1-30 MHz	60 MHz	80 MHz	0.1-100 MHz	0.1-100 MHz	8mA DC Bias	60 sec
-1	-18	-14	-12	-35	-35	350	1500

RY
R
A
Z
M
L
E
R
R
R



PREPARED BY:

D. Rund

ENGINEER:

L. Le

QUALITY CONTROL:

APPROVED:

J. Coleman

NOTE: Unless otherwise specified, all dimensions are mm[in] with tolerance of ±0.25[0.010]

DWG CONTROL NO. P-A1-12644 ACAD\TTC\A1126441.DWG	REV PR1	10/100 Base-T LAN Magnetic Module Single Port, 16 pin SMD	TTC-8102 MODEL SPECIFICATION	
CONTENTS OF THIS DRAWING ARE SUBJECT TO CHANGE WITHOUT PRIOR NOTICE		TAMURA CORPORATION OF AMERICA 43352 BUSINESS PARK DRIVE, TEMECULA, CA. 92590-6624 (909) 699-1270 FAX 9096769482		
PROPRIETARY NOTICE: THIS DRAWING PRINT OR DOCUMENT AND SUBJECT MATTER DISCLOSED HEREIN ARE PROPRIETARY ITEMS TO WHICH TAMURA RETAINS THE EXCLUSIVE RIGHT OF DISSEMINATION, REPRODUCTION, MANUFACTURE AND SALE. THIS DRAWING, PRINT OR DOCUMENT IS SUBMITTED IN CONFIDENCE FOR CONSIDERATION BY THE RECIPIENT ALONE UNLESS PERMISSION FOR FURTHER DISCLOSURE IS EXPRESSLY GRANTED IN WRITING.				